

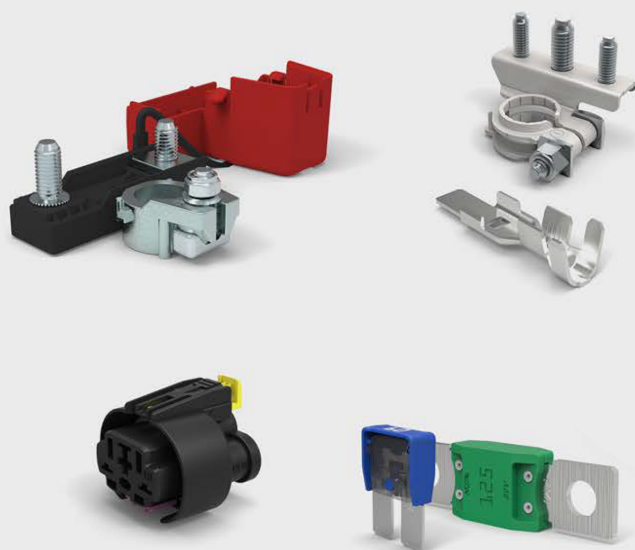
# Products Catalogue 2026

---

ELECTRICAL  
PRODUCTS



**breneco**



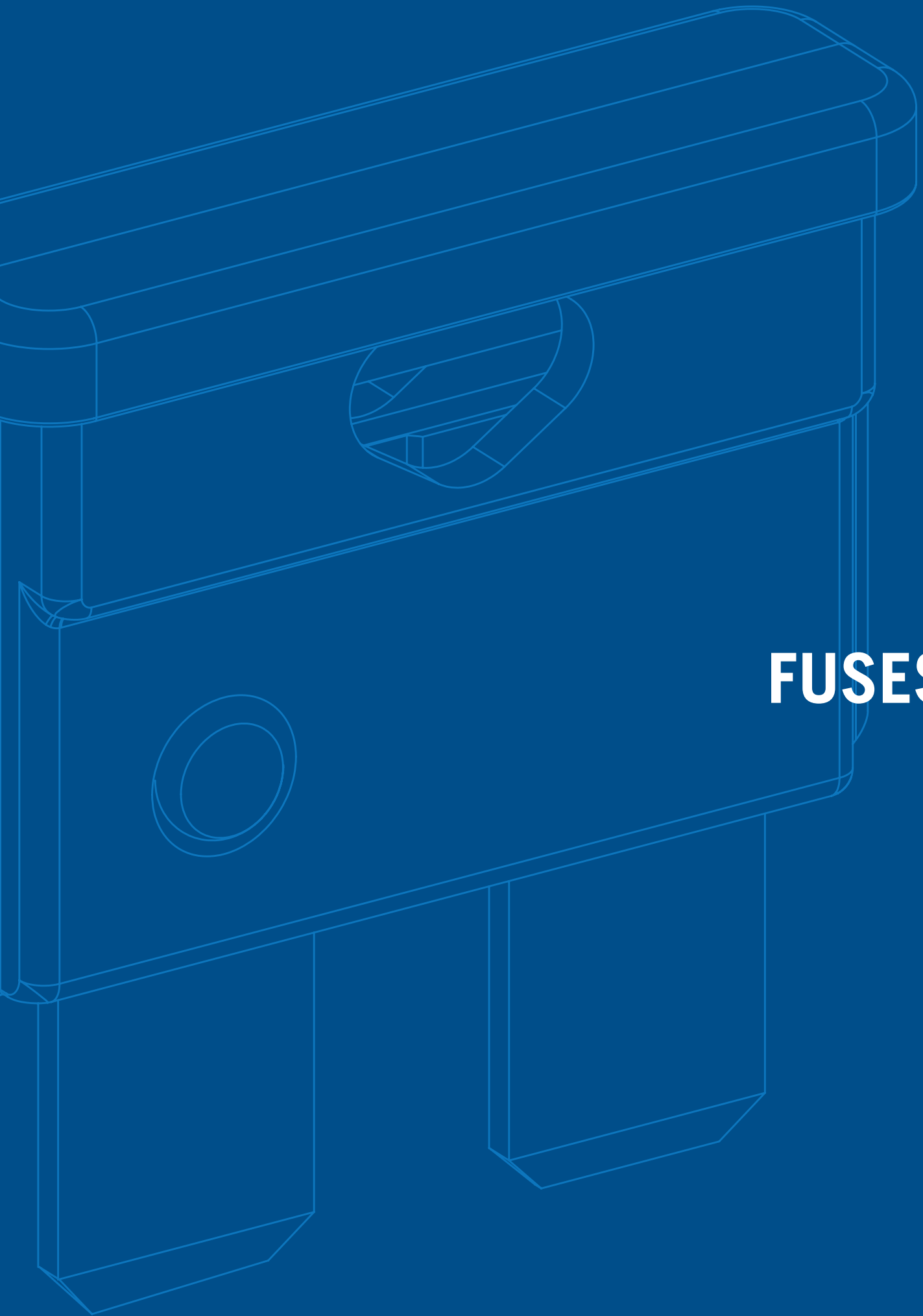




## INDEX

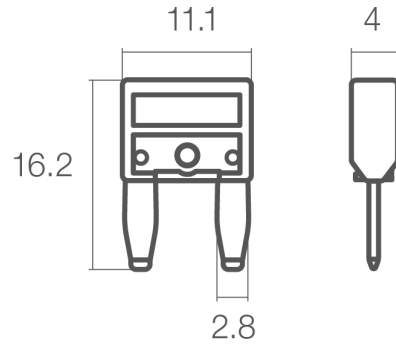
FUSES	4
POWER DISTRIBUTION UNITS	19
MAIN DISTRIBUTION UNITS	36
FUSE/RELAY HOLDERS	62
ADAPTERS & FIXING PLATES	87
CONNECTORS	92
BATTERY TERMINALS	113
TERMINALS	122
INSULATED TERMINALS	160
RADIATOR/OIL/GASOLINE CAPS & SENSORS	170
CABLES	175
SUNDRIES	180
LIST OF ALL ITEMS	191





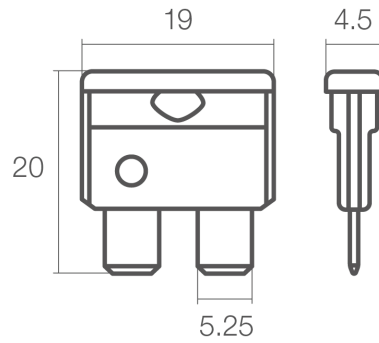
**FUSES**

# MINIVAL®



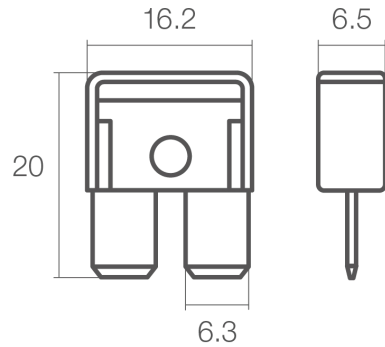
AMP	DESCRIPTION	COLOUR	BLADE MATERIAL AND COATING	P/N BLISTER	INNER BOX PCS	MOQ	P/N BOX	MOQ	P/N BULK	MOQ
2A	MINIVAL	Grey	TIN PLATED ZINC ALLOY	0600090	25	500			0705090	5000
3A	MINIVAL	Violet	TIN PLATED ZINC ALLOY	0600100	25	500			0705100	5000
4A	MINIVAL	Pink	TIN PLATED ZINC ALLOY	0600101	25	500			0705101	5000
5A	MINIVAL	Light brown	TIN PLATED ZINC ALLOY	0600110	25	500			0705110	5000
7,5A	MINIVAL	Brown	TIN PLATED ZINC ALLOY	0600120	25	500			0705120	5000
10A	MINIVAL	Red	TIN PLATED ZINC ALLOY	0600130	25	500			0705130	5000
15A	MINIVAL	Blue	TIN PLATED ZINC ALLOY	0600140	25	500			0705140	5000
20A	MINIVAL	Yellow	TIN PLATED ZINC ALLOY	0600150	25	500			0705150	5000
25A	MINIVAL	Natural	TIN PLATED ZINC ALLOY	0600160	25	500			0705160	5000
30A	MINIVAL	Green	TIN PLATED ZINC ALLOY	0600170	25	500			0705170	5000

# UNIVAL®



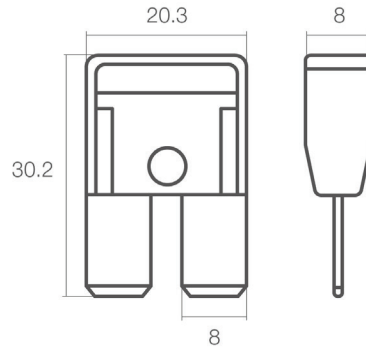
AMP	DESCRIPTION	COLOUR	BLADE MATERIAL AND COATING	P/N BOX	INNER BOX PCS	MOQ	P/N BULK	MOQ	P/N BULK	MOQ
1A	UNIVAL	Black	ZINC ALLOY	0600380		100	0700380	2000		
2A	UNIVAL	Grey	ZINC ALLOY	0600390		100	0700390	2000		
3A	UNIVAL	Violet	ZINC ALLOY	0600400	100	1200	0700300	2000		
4A	UNIVAL	Pink	ZINC ALLOY	0600401		100	0700301	2000		
5A	UNIVAL	Light brown	ZINC ALLOY	0600410	100	1200	0700310	2000		
7,5A	UNIVAL	Brown	ZINC ALLOY	0600420	100	1200	0700320	2000		
10A	UNIVAL	Red	ZINC ALLOY	0600430	100	1200	0700330	2000		
15A	UNIVAL	Blue	ZINC ALLOY	0600440	100	1200	0700340	2000		
20A	UNIVAL	Yellow	ZINC ALLOY	0600450	100	1200	0700350	2000		
25A	UNIVAL	Natural	ZINC ALLOY	0600460	100	1200	0700360	2000		
30A	UNIVAL	Green	ZINC ALLOY	0600470	100	1200	0700370	2000		
40A	UNIVAL	Orange	ZINC ALLOY	0600375	100	1200	0700375	2000		

# MAXICOMPACT®



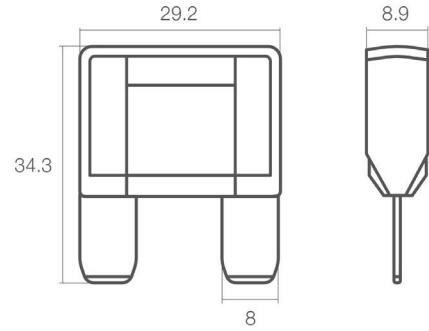
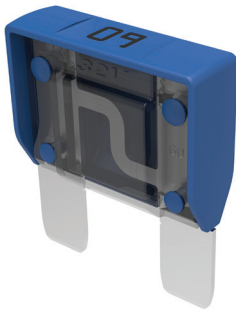
AMP	DESCRIPTION	COLOUR	BLADE MATERIAL AND COATING	P/N BOX	MOQ	P/N BULK	MOQ
20A	MAXICOMPACT	Yellow	TIN PLATED ZINC ALLOY	0602920	100	0702920	2000
25A	MAXICOMPACT	White	TIN PLATED ZINC ALLOY	0602925	100	0702925	2000
30A	MAXICOMPACT	Light green	TIN PLATED ZINC ALLOY	0602930	100	0702930	2000
35A	MAXICOMPACT	Dark green	TIN PLATED ZINC ALLOY	0602935	100	0702935	2000
40A	MAXICOMPACT	Orange	TIN PLATED ZINC ALLOY	0602940	100	0702940	2000
50A	MAXICOMPACT	Red	TIN PLATED ZINC ALLOY	0602950	100	0702950	2000
60A	MAXICOMPACT	Blue	TIN PLATED ZINC ALLOY	0602960	100	0702960	2000
25A	MAXICOMPACT CU	White	SILVER PLATED COPPER			0702825	1700
30A	MAXICOMPACT CU	Light green	SILVER PLATED COPPER			0702830	1700
35A	MAXICOMPACT CU	Dark green	SILVER PLATED COPPER			0702835	1700
40A	MAXICOMPACT CU	Orange	SILVER PLATED COPPER			0702840	1700
50A	MAXICOMPACT CU	Red	SILVER PLATED COPPER			0702850	1700
60A	MAXICOMPACT CU	Blue	SILVER PLATED COPPER			0702860	1700

# M8COMPACT®



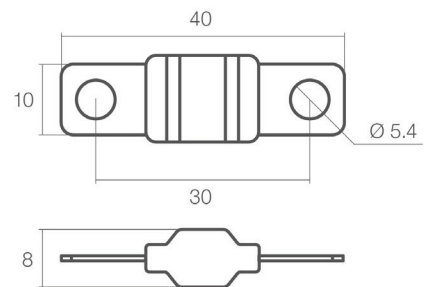
AMP	DESCRIPTION	COLOUR	BLADE MATERIAL AND COATING	P/N BOX	MOQ	P/N BULK	MOQ
30A	M8COMPACT	Light green	TIN PLATED ZINC ALLOY	0610030	150	0710030	1000
35A	M8COMPACT	Dark green	TIN PLATED ZINC ALLOY	0610035	150	0710035	1000
40A	M8COMPACT	Orange	TIN PLATED ZINC ALLOY	0610040	150	0710040	1000
50A	M8COMPACT	Red	TIN PLATED ZINC ALLOY	0610050	150	0710050	1000
60A	M8COMPACT	Blue	TIN PLATED ZINC ALLOY	0610060	150	0710060	1000
70A	M8COMPACT	Brown	TIN PLATED ZINC ALLOY	0610070	150	0710070	1000
80A	M8COMPACT	Black	TIN PLATED ZINC ALLOY	0610080	150	0710080	1000
30A	M8COMPACT CU	Light green	SILVER PLATED COPPER			0710130	700
40A	M8COMPACT CU	Orange	SILVER PLATED COPPER			0710140	700
50A	M8COMPACT CU	Red	SILVER PLATED COPPER			0710150	700
60A	M8COMPACT CU	Blue	SILVER PLATED COPPER			0710160	700
70A	M8COMPACT CU	Brown	SILVER PLATED COPPER			0710170	700
80A	M8COMPACT CU	Black	SILVER PLATED COPPER			0710180	700
100A	M8COMPACT CU	Violet	SILVER PLATED COPPER			0710100	700

MAXIVAL®



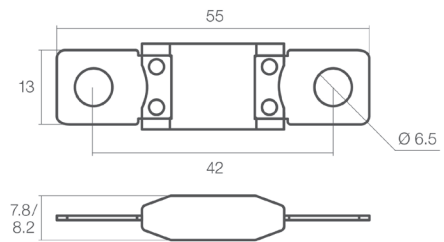
AMP	DESCRIPTION	COLOUR	BLADE MATERIAL AND COATING	P/N BOX	INNER BOX PCS	MOQ	P/N BULK	MOQ
20A	MAXIVAL	Yellow	TIN PLATED ZINC ALLOY	0600900	10	240	0700900	1000
30A	MAXIVAL	Green	TIN PLATED ZINC ALLOY	0600910	10	240	0700910	1000
40A	MAXIVAL	Orange	TIN PLATED ZINC ALLOY	0600920	10	240	0700920	1000
50A	MAXIVAL	Red	TIN PLATED ZINC ALLOY	0600930	10	240	0700930	1000
60A	MAXIVAL	Blue	TIN PLATED ZINC ALLOY	0600940	10	240	0700940	1000
70A	MAXIVAL	Light brown	TIN PLATED ZINC ALLOY	0600950	10	240	0700950	1000
80A	MAXIVAL	Natural	TIN PLATED ZINC ALLOY	0600960	10	240	0700960	1000
100A	MAXIVAL	Violet	TIN PLATED ZINC ALLOY	0600970	10	240	0700970	1000
<b>NEW</b>	40A	MAXIVAL	Orange				0712040	800
<b>NEW</b>	50A	MAXIVAL	Red				0712050	800
<b>NEW</b>	60A	MAXIVAL	Blue				0712060	800

# MIDIVAL®



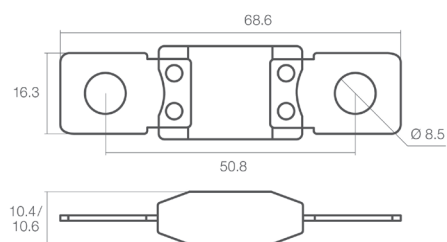
AMP	DESCRIPTION	COLOUR	BLADE MATERIAL AND COATING	P/N BLISTER	INNER BOX PCS	MOQ	P/N BULK	MOQ
30A	MIDIVAL	Orange	TIN PLATED ZINC ALLOY	0602030	1	20	0702030	1000
40A	MIDIVAL	Green	TIN PLATED ZINC ALLOY	0602040	1	20	0702040	1000
50A	MIDIVAL	Red	TIN PLATED ZINC ALLOY	0602050	1	20	0702050	1000
60A	MIDIVAL	Yellow	TIN PLATED ZINC ALLOY	0602060	1	20	0702060	1000
70A	MIDIVAL	Brown	TIN PLATED ZINC ALLOY	0602070	1	20	0702070	1000
80A	MIDIVAL	White	TIN PLATED ZINC ALLOY	0602080	1	20	0702080	1000
100A	MIDIVAL	Blue	TIN PLATED ZINC ALLOY	0602100	1	20	0702100	1000
125A	MIDIVAL	Pink	TIN PLATED ZINC ALLOY	0602125	1	20	0702125	1000
30A	MIDIVAL CU	Orange	TIN PLATED COPPER				0708030	1500
40A	MIDIVAL CU	Green	TIN PLATED COPPER				0708040	1500
50A	MIDIVAL CU	Red	TIN PLATED COPPER				0708050	1500
60A	MIDIVAL CU	Yellow	TIN PLATED COPPER				0708060	1500
70A	MIDIVAL CU	Brown	TIN PLATED COPPER				0708070	1500
80A	MIDIVAL CU	White	TIN PLATED COPPER				0708080	1500
100A	MIDIVAL CU	Blue	TIN PLATED COPPER				0708100	1500
125A	MIDIVAL CU	Pink	TIN PLATED COPPER				0708125	1500
150A	MIDIVAL CU	Grey	TIN PLATED COPPER				0708150	1500
175A	MIDIVAL CU	Light brown	TIN PLATED COPPER				0708175	1500
200A	MIDIVAL CU	Violet	TIN PLATED COPPER				0708200	1500

# MEGACOMPACT®



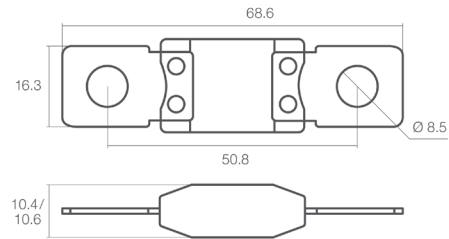
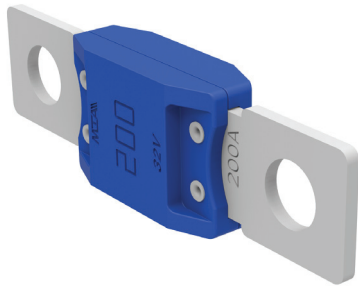
AMP	DESCRIPTION	COLOUR	BLADE MATERIAL AND COATING	P/N BOX	MOQ	P/N BULK	MOQ
80A	MEGACOMPACT	Red	TIN PLATED COPPER	0615080	20	0715080	700
100A	MEGACOMPACT	Yellow	TIN PLATED COPPER	0615100	20	0715100	700
125A	MEGACOMPACT	Green	TIN PLATED COPPER	0615125	20	0715125	700
150A	MEGACOMPACT	Orange	TIN PLATED COPPER	0615150	20	0715150	700
175A	MEGACOMPACT	White	TIN PLATED COPPER	0615175	20	0715175	700
200A	MEGACOMPACT	Blue	TIN PLATED COPPER	0615200	20	0715200	700
225A	MEGACOMPACT	Light brown	TIN PLATED COPPER	0615225	20	0715225	700
250A	MEGACOMPACT	Pink	TIN PLATED COPPER	0615250	20	0715250	700
300A	MEGACOMPACT	Grey	TIN PLATED COPPER	0615300	20	0715300	700
CAL5	MEGACOMPACT	Black	TIN PLATED COPPER	0615500	20	0715500	700

# MEGAVAL®



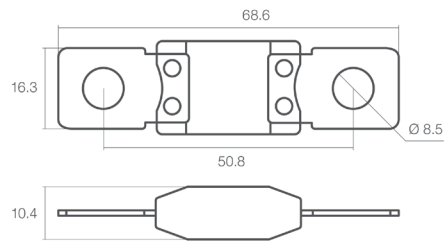
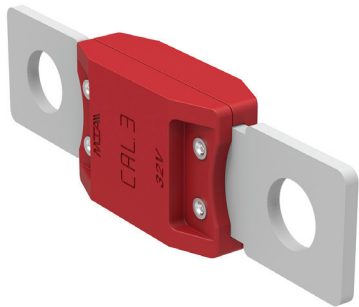
AMP	DESCRIPTION	COLOUR	BLADE MATERIAL AND COATING	P/N BLISTER	INNER BOX PCS	MOQ	P/N BULK	MOQ
100A	MEGAVAL	Yellow	TIN PLATED ZINC ALLOY	0601100	1	20	0701100	700
125A	MEGAVAL	Green	TIN PLATED ZINC ALLOY	0601125	1	20	0701125	700
150A	MEGAVAL	Orange	TIN PLATED ZINC ALLOY	0601150	1	20	0701150	700
175A	MEGAVAL	White	TIN PLATED ZINC ALLOY	0601175	1	20	0701175	700
200A	MEGAVAL	Blue	TIN PLATED ZINC ALLOY	0601200	1	20	0701200	700
250A	MEGAVAL	Pink	TIN PLATED ZINC ALLOY	0601250	1	20	0701250	700
100A	MEGAVAL CU	Yellow	TIN PLATED COPPER				0711100	350
125A	MEGAVAL CU	Green	TIN PLATED COPPER				0711125	350
150A	MEGAVAL CU	Orange	TIN PLATED COPPER				0711150	350
175A	MEGAVAL CU	White	TIN PLATED COPPER				0711175	350
200A	MEGAVAL CU	Blue	TIN PLATED COPPER				0711200	350
225A	MEGAVAL CU	Light brown	TIN PLATED COPPER				0711225	350
250A	MEGAVAL CU	Pink	TIN PLATED COPPER				0711250	350
300A	MEGAVAL CU	Grey	TIN PLATED COPPER	0601300	1	20	0701300	700
400A	MEGAVAL CU	Violet	TIN PLATED COPPER	0601401	1	20	0701401	700
500A	MEGAVAL CU	Brown	TIN PLATED COPPER	0601600	1	20	0701600	700

# MEGAVAL® 70 V



AMP	DESCRIPTION	COLOUR.	BLADE MATERIAL AND COATING	P/N BULK	MOQ
100A	MEGAVAL CU 70V	Yellow	TIN PLATED COPPER	0730100	350
125A	MEGAVAL CU 70V	Green	TIN PLATED COPPER	0730125	350
150A	MEGAVAL CU 70V	Orange	TIN PLATED COPPER	0730150	350
175A	MEGAVAL CU 70V	White	TIN PLATED COPPER	0730175	350
200A	MEGAVAL CU 70V	Blue	TIN PLATED COPPER	0730200	350
225A	MEGAVAL CU 70V	Light brown	TIN PLATED COPPER	0730225	350
250A	MEGAVAL CU 70V	Pink	TIN PLATED COPPER	0730250	350
300A	MEGAVAL CU 70V	Grey	TIN PLATED COPPER	0730300	350
400A	MEGAVAL CU 70V	Violet	TIN PLATED COPPER	0730400	350
500A	MEGAVAL CU 70V	Brown	TIN PLATED COPPER	0730500	350

# POWerval®

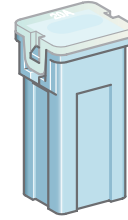


AMP	DESCRIPTION	COLOUR	BLADE MATERIAL AND COATING	P/N BLISTER	INNER BOX PCS	MOQ	P/N BULK	MOQ
CAL.1	POWerval	Grey	TIN PLATED ZINC ALLOY	0601350	1	20	0701350	700
CAL.2	POWerval	Black	TIN PLATED ZINC ALLOY	0601400	1	20	0701400	700
CAL.3	POWerval	Red	TIN PLATED COPPER	0601450	1	20	0701450	700
CAL.4	POWerval	Brown	TIN PLATED COPPER	0601500	1	20	0701500	700
CAL.5	POWerval	Wheat grey	TIN PLATED COPPER	0601700		1	0701700	700

# JAPVAL®



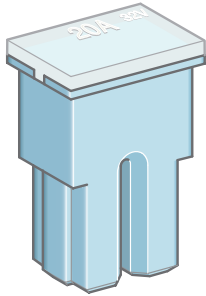
1



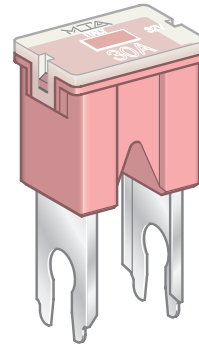
2

IMG	AMP	DESCRIPTION	COLOUR	P/N BLISTER	INNER BOX PCS	MOQ
1	20A	MICRO FEMALE 14	Azure	0424020	1	20
	25A	MICRO FEMALE 14	White	0424025	1	20
	30A	MICRO FEMALE 14	Pink	0424030	1	20
	40A	MICRO FEMALE 14	Green	0424040	1	20
	50A	MICRO FEMALE 14	Red	0424050	1	20
	60A	MICRO FEMALE 14	Yellow	0424060	1	20
2	20A	MINI FEMALE 14	Azure	0474020	1	20
	30A	MINI FEMALE 14	Pink	0474030	1	20
	40A	MINI FEMALE 14	Green	0474040	1	20
	50A	MINI FEMALE 14	Red	0474050	1	20
	60A	MINI FEMALE 14	Yellow	0474060	1	20

# JAPVAL®



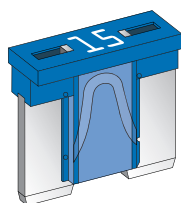
1



2

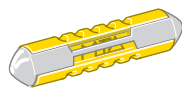
IMG	AMP	DESCRIPTION	COLOUR	P/N BLISTER	INNER BOX PCS	MOQ
1	20A	FEMALE	Azure	0470020	1	20
	30A	FEMALE	Pink	0470030	1	20
	40A	FEMALE	Green	0470040	1	20
	50A	FEMALE	Red	0470050	1	20
	60A	FEMALE	Yellow	0470060	1	20
	80A	FEMALE	Black	0470080	1	20
2	100A	FEMALE	Blue	0470100	1	20
	30A	MALE	Pink	0471030	1	20
	40A	MALE	Green	0471040	1	20
	50A	MALE	Red	0471050	1	20
	60A	MALE	Yellow	0471060	1	20
	80A	MALE	Black	0471080	1	20
	100A	MALE	Blue	0471100	1	20

# MINI LOW PROFILE



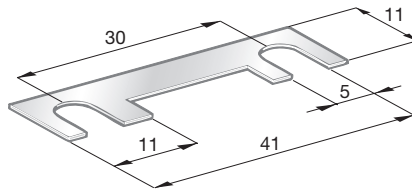
AMP	DESCRIPTION	COLOUR	P/N BOX	MOQ
2A	MINI LOW PROFILE	Grey	0700210	200
3A	MINI LOW PROFILE	Violet	0700220	200
4A	MINI LOW PROFILE	Pink	0700230	200
5A	MINI LOW PROFILE	Light brown	0700240	200
7,5A	MINI LOW PROFILE	Brown	0700250	200
10A	MINI LOW PROFILE	Red	0700260	200
15A	MINI LOW PROFILE	Blue	0700270	200
20A	MINI LOW PROFILE	Yellow	0700280	200
25A	MINI LOW PROFILE	Natural	0700290	200
30A	MINI LOW PROFILE	Green	0700302	200

# CONTINENTAL



AMP	DESCRIPTION	COLOUR	P/N BOX	MOQ
5A	FIAT 9.91806	Yellow	0200140	100
8A	FIAT 9.91806	Black	0200150	100
16A	FIAT 9.91806	Green	0200170	100
25A	FIAT 9.91806	Brown	0200180	100
5A	DIN 72581	Yellow	0200140	100
8A	DIN 72581	White	0200151	100
16A	DIN 72581	Red	0200171	100
25A	DIN 72581	Blue	0200181	100

# STRIP

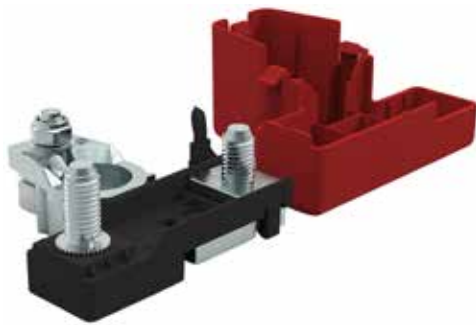


AMP	DESCRIPTION	P/N BOX	MOQ
30A	STRIP FUSE	0200296	100
40A	STRIP FUSE	0200300	100
50A	STRIP FUSE	0200297	100
60A	STRIP FUSE	0200301	100
80A	STRIP FUSE	0200298	100
100A	STRIP FUSE	0200299	100

A detailed line art illustration of a power distribution unit (PDU) is shown in an isometric perspective. The unit is a rectangular metal chassis with a top cover that is slightly offset to the right. The front panel features a series of vertical slots, each containing a cylindrical component, likely a fuse or a terminal. On the right side, there are several circular ports, possibly for ventilation or monitoring. The entire illustration is rendered in white lines on a solid blue background.

# POWER DISTRIBUTION UNITS

# BDU

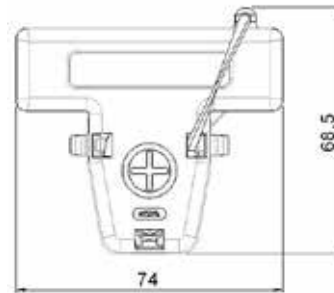
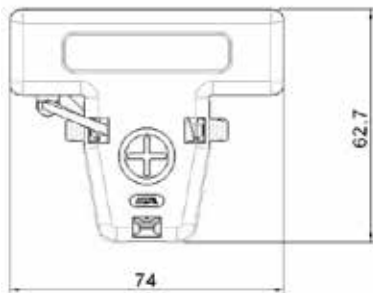
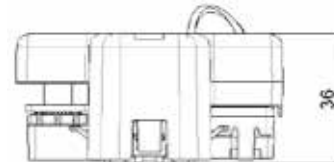
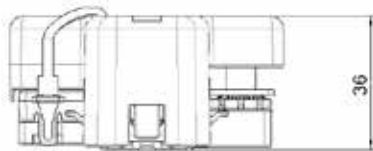


1

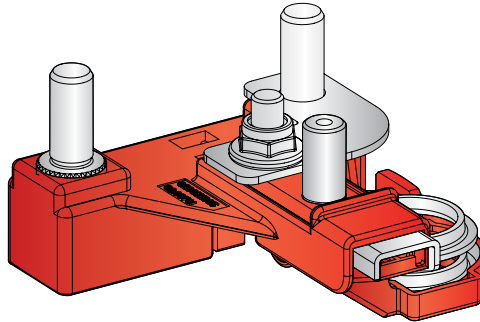


2

IMG	DESCRIPTION	P/N BULK	MOQ
1	PRE MOUNTED HOUSING FOR 1 POWER/MEGAVAL WITH DIE CASTED BATTERY TERMINAL RIGHT	0301229	48
2	PRE MOUNTED HOUSING FOR 1 POWER/MEGAVAL WITH DIE CASTED BATTERY TERMINAL LEFT	0301230	48

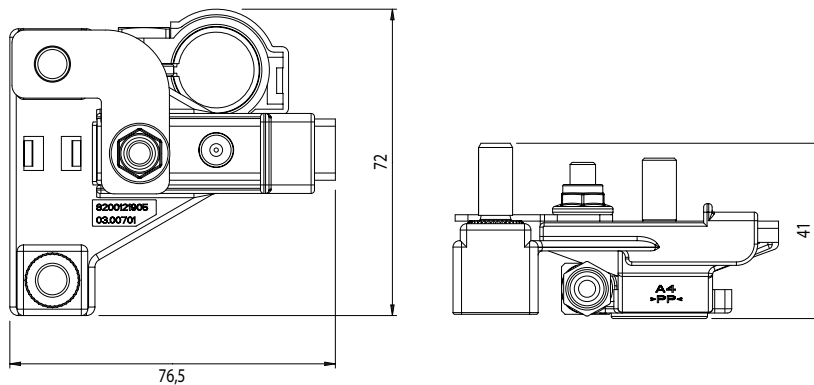


# CBA X73



1

IMG	DESCRIPTION	P/N	MOQ
1	PRE-MOUNTED HOUSING FOR 1 POWER/MEGAVAL WITH BATTERY TERMINAL	0100703	1



**CONNECTIONS AND FIXINGS**



1608180  
1608190

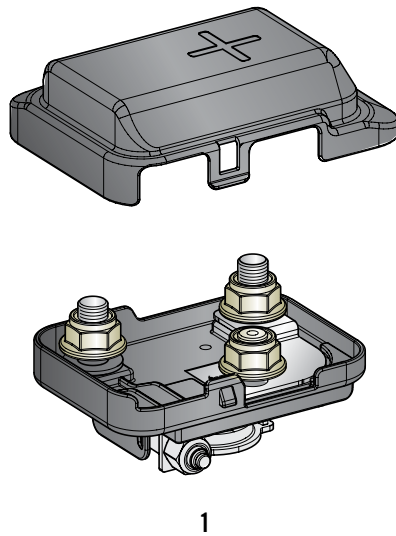


1708110  
1708120

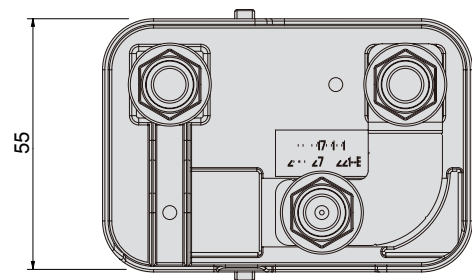
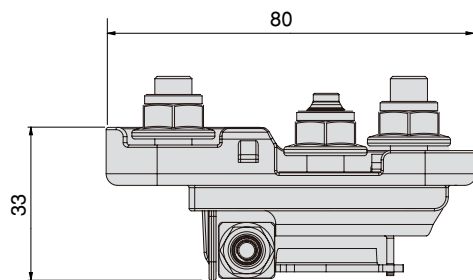


1608196

# CBA J81 L4



IMG	DESCRIPTION	P/N	MOQ
1	PRE MOUNTED HOUSING FOR 1 MEGA/POWERVAL WITH COVER AND BATTERY TERMINAL	0101703	1

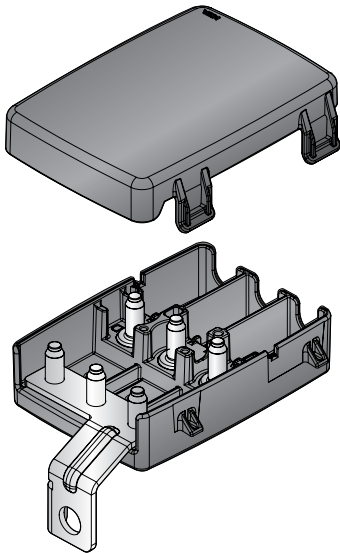


**CONNECTIONS AND FIXINGS**

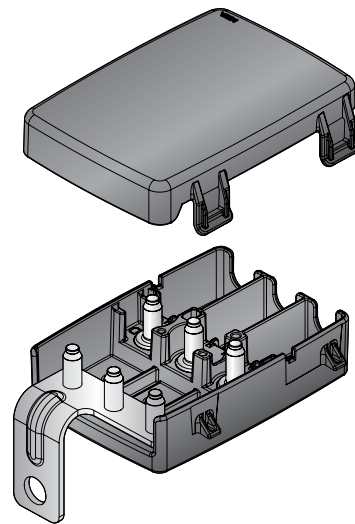


CBA J81 L4

# 3-WAY MIDIVAL®

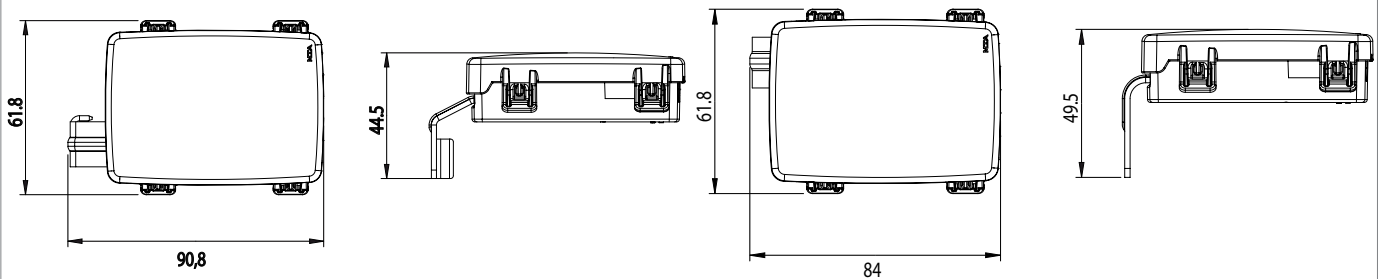


1

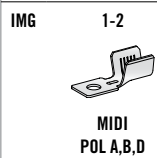


2

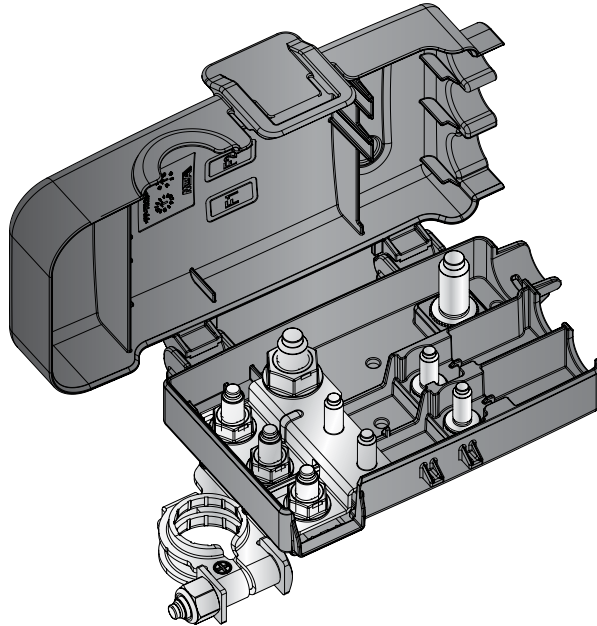
IMG	DESCRIPTION	P/N	MOQ
1	PRE MOUNTED HOUSING DX FOR 3 MIDIVAL WITH COVER AND BUS BAR	0300442	1
2	PRE MOUNTED HOUSING SX FOR 3 MIDIVAL WITH COVER AND BUS BAR	0300468	1



### CONNECTIONS AND FIXINGS

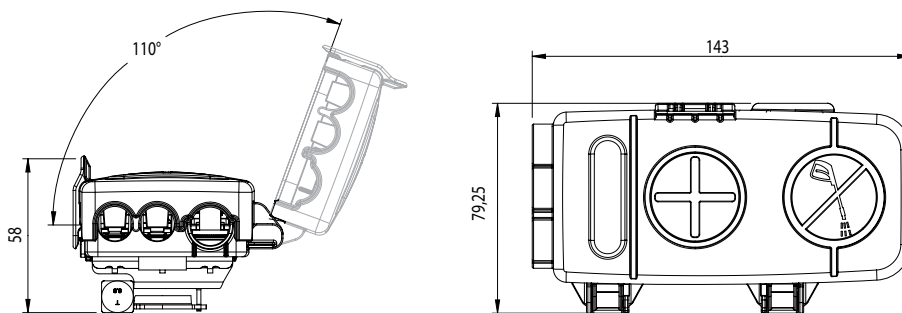


# CDB



1

IMG	DESCRIPTION	P/N BULK	MOQ
1	PRE MOUNTED HOUSING FOR 2 MIDIVAL AND 1 POWerval/MEGaval WITH BATTERY TERMINAL	0300839	20



**CONNECTIONS AND FIXINGS**

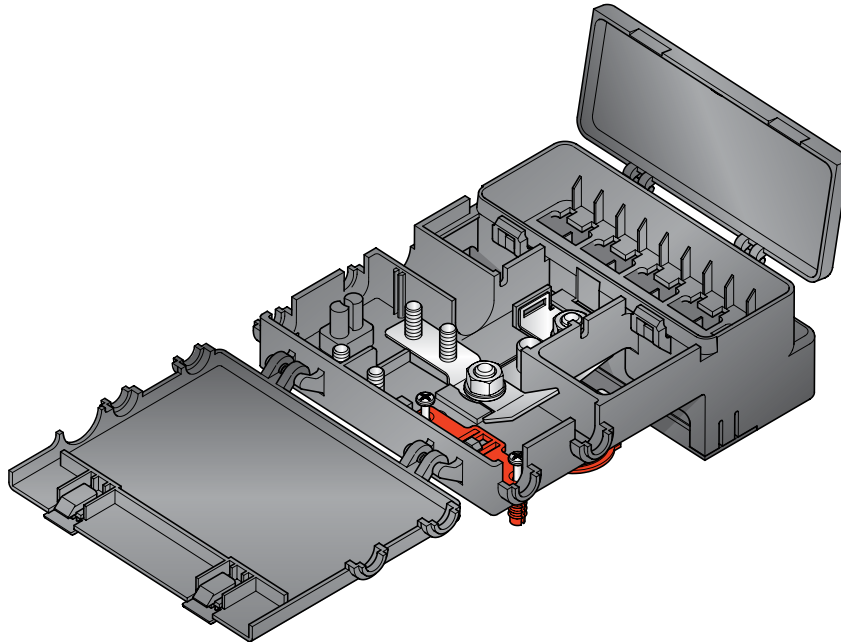


MIDI  
POL A,B



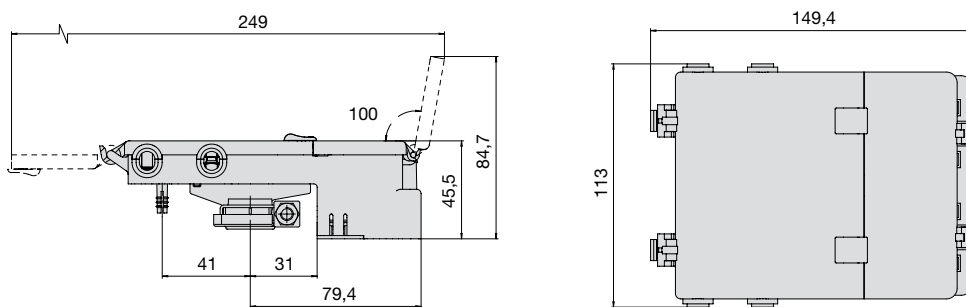
MEGA

# LINK BATT

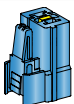


1

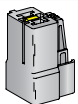
IMG	DESCRIPTION	P/N	MOQ
1	PRE MOUNTED HOUSING FOR 8 MAXIVAL AND 2 MIDIVAL	0100710	1



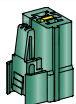
**CONNECTIONS AND FIXINGS**



4540315



4540345



4540325



4540305



4545100

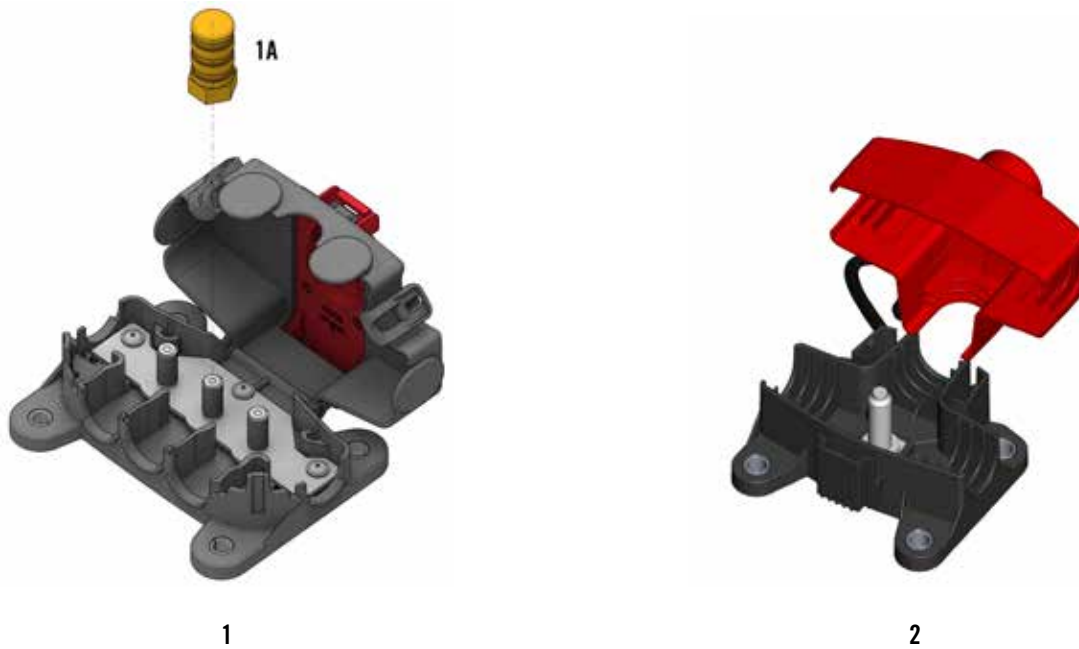


MIDI

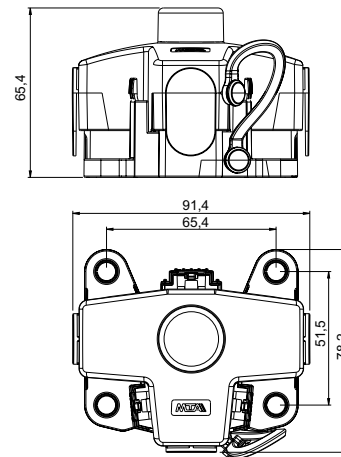
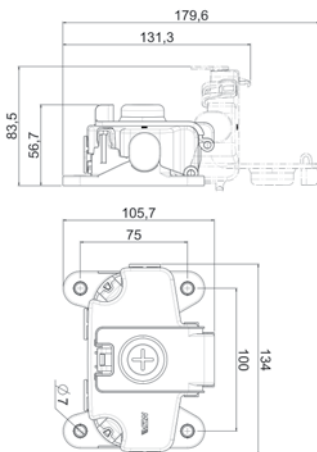


SQR-A

# JUMP START



IMG	DESCRIPTION	P/N BULK	MOQ
1	JUMP START NODE	4541203	60
1a	JUMP START PLUG FOR POWER DISTRIBUTION	4541204	200
2	POWER DISTRIBUTOR WITH JUMP START	4541205	96

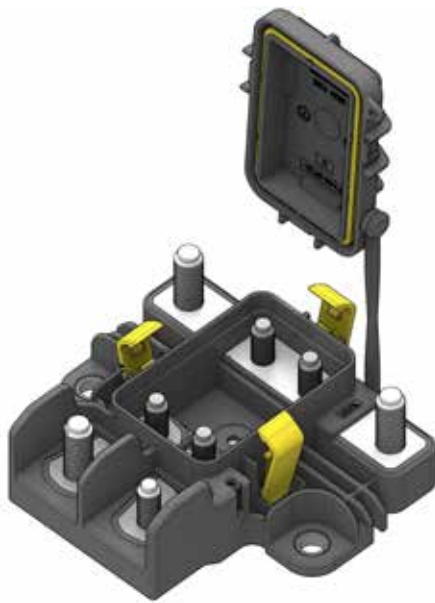


**CONNECTIONS AND FIXINGS**



TUBULAR M8

# 12 V AND 48 V PDU 2M

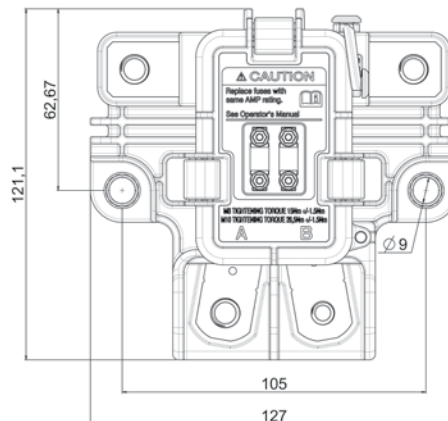
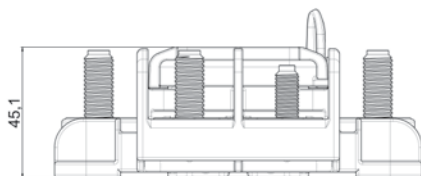


1



2

IMG	DESCRIPTION	P/N	MOQ
1	PRE MOUNTED HOUSING FOR 2 MEGAVAL WITH COVER	0301887	24
2	48 V PRE MOUNTED HOUSING FOR 2 MEGAVAL WITH COVER	0300419	24

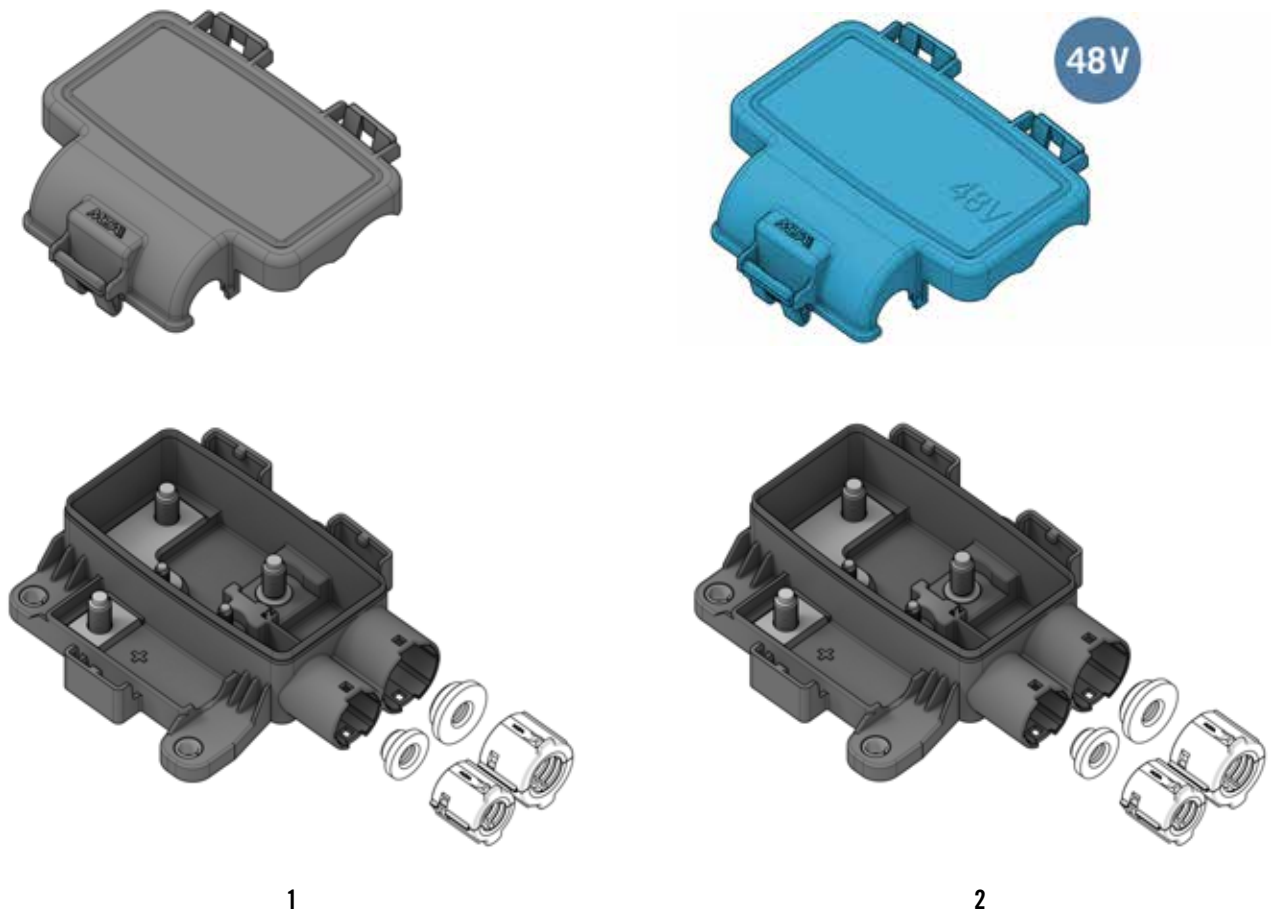


CONNECTIONS AND FIXINGS

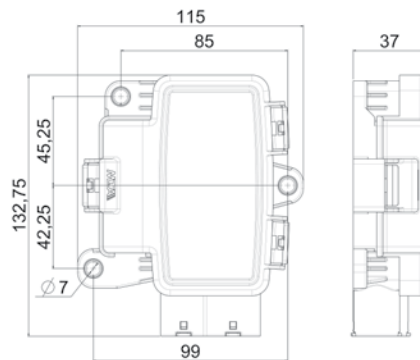


TUBULAR

# 12 V AND 48 V 2-WAY WATERPROOF PDU



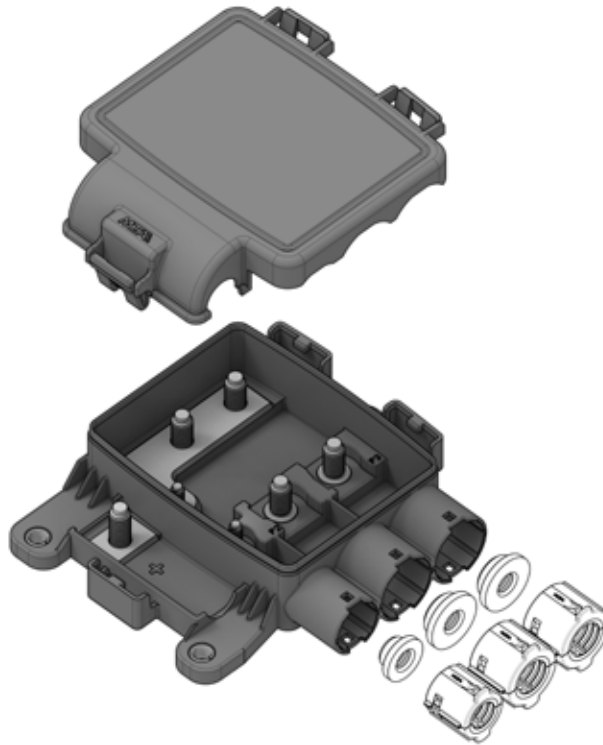
IMG	DESCRIPTION	P/N BULK	MOQ
1	PRE MOUNTED HOUSING FOR 1 MIDIVAL AND 1 MEGAVAL WITH COVER	0301053	32
2	48 V PRE MOUNTED HOUSING FOR 1 MIDIVAL AND 1 MEGAVAL WITH COVER	0300421	24



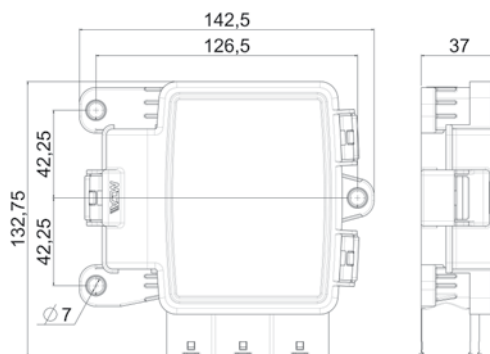
**CONNECTIONS AND FIXINGS**

IMG	1+2	1+2	1+2	1+2	1+2	1+2
TUBULAR	MIDI M5 POLA	MEGA M8 PDL A	1607510	GASKET	TUBE RETAINER	

# 3-WAY WATERPROOF PDU



IMG	DESCRIPTION	P/N BULK	MOQ
1	PRE MOUNTED HOUSING FOR 1 MIDIVAL AND 2 MEGAVAL WITH COVER	0301045	24



**CONNECTIONS AND FIXINGS**



TUBULAR



MIDI M5  
POLA



MEGA M8  
POL A



1607510



GASKET



TUBE  
RETAINER

# RETAINER & GASKETS



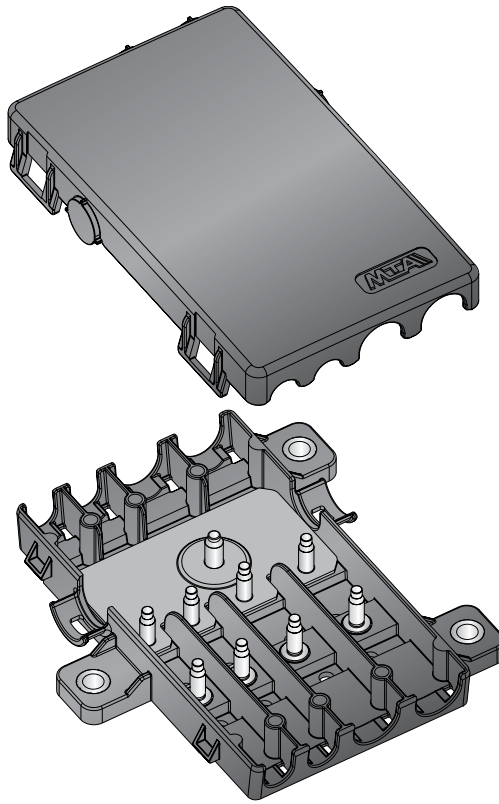
1



2

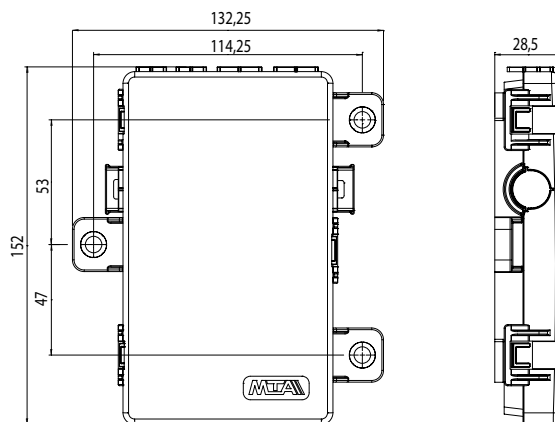
IMG	DESCRIPTION	MATERIAL	COLOUR	D	d	P/N BULK	MOQ	P/N BULK	MOQ
1	TUBE RETAINER	PBT	Black	19,6	6	0300454	200		
	TUBE RETAINER	PBT	Black	19,6	8	0300452	200		
	TUBE RETAINER	PBT	Black	19,6	11,4	0300465	200		
	TUBE RETAINER	PBT	Black	24,6	12,8	0300455	200		
	TUBE RETAINER	PBT	Black	24,6	14,3	0300464	200		
	TUBE RETAINER	PBT	Black	24,6	15,2	0300557	200		
	TUBE RETAINER	PBT	Black	24,6	18,2	0301199	280		
2	GASKET	SILICON	Green	18	2	0300456	200		
	GASKET	SILICON	Blue	18	3,7	0300457	200		
	GASKET	SILICON	Yellow	18	6	0300463	200		
	GASKET	SILICON	Red	18	8	0300458	200		
	CAVITY PLUG	SILICON	Natural	18	-	0350459	200	0300459	5000
	GASKET	SILICON	Yellow	23	8	0300460	200		
	GASKET	SILICON	Green	23	10	0350558	200	0300558	5000
	CAVITY PLUG	SILICON	Natural	23	-	0301204	1000		

# 4-WAY MIDIVAL®



1

IMG	DESCRIPTION	P/N	MOQ
1	PRE MOUNTED HOUSING FOR 4 MIDIVAL WITH COVER, BUS BAR AND SELF LOCKING NUTS	0300552	1



**CONNECTIONS AND FIXINGS**

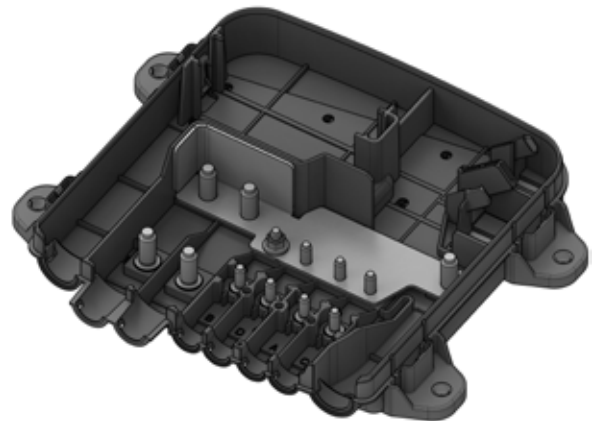
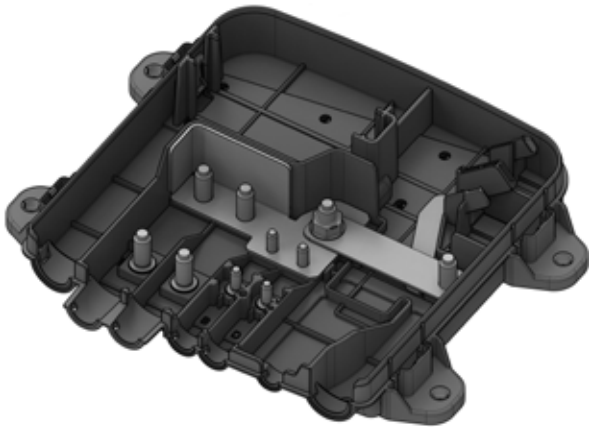


1708250



1708246

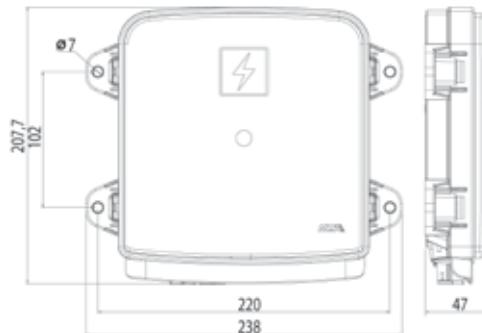
# SPLASH PROOF CONFIGURABLE PDU



1

2

IMG	DESCRIPTION	P/N	MOQ
1	PRE MOUNTED HOUSING FOR 2 MEGA/POWERVAL + 2 MIDIVAL W/ COVER AND BUS BAR. CAN ACCOMODATE ELECTRONIC BDS	0301865	1
2	PRE MOUNTED HOUSING FOR 4 MIDIVAL + 2 MEGAVAL + 5 MINIVAL WITH COVER AND BUS BAR	0301873	1



**CONNECTIONS AND FIXINGS**

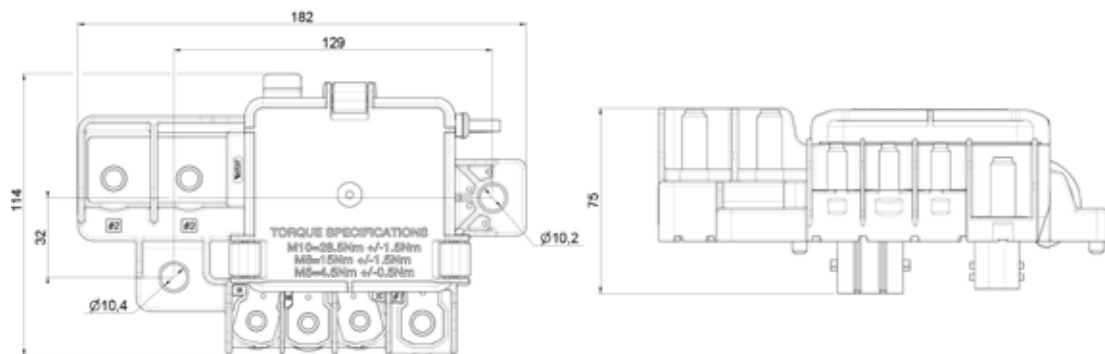
IMG	1+2	2	1+2	1+2	1+2	1+2
MIDI POL A,B	MIDI POL A,B,C,D	TUBOLAR M8	MODULES	SML	F280	

# MEC 25



1

IMG	DESCRIPTION	P/N	MOQ
1	CONFIGURABLE POWER DISTRIBUTION UNIT WITH PRESS FIT TECHNOLOGY	0301452	12

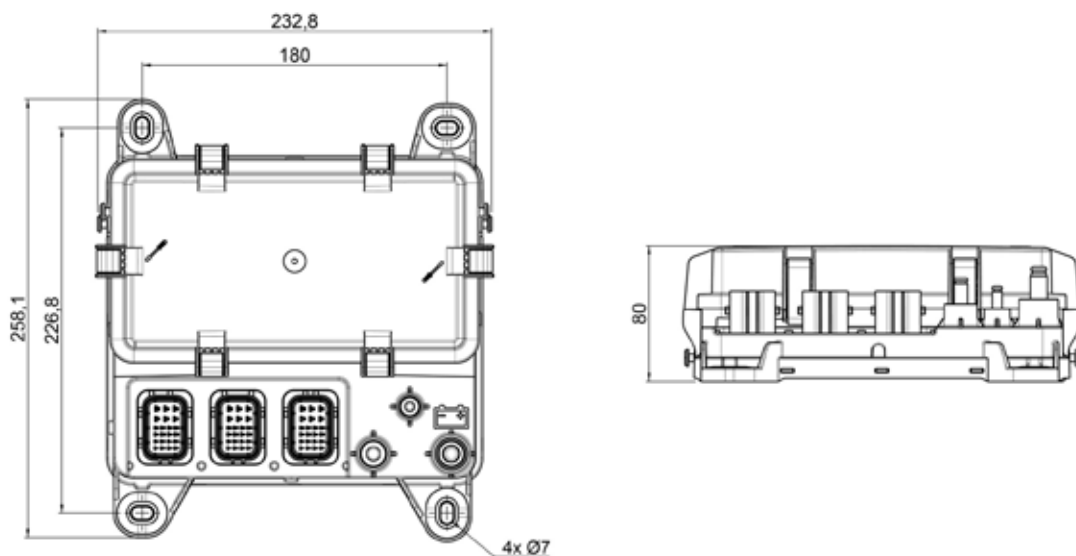


# MEC 97

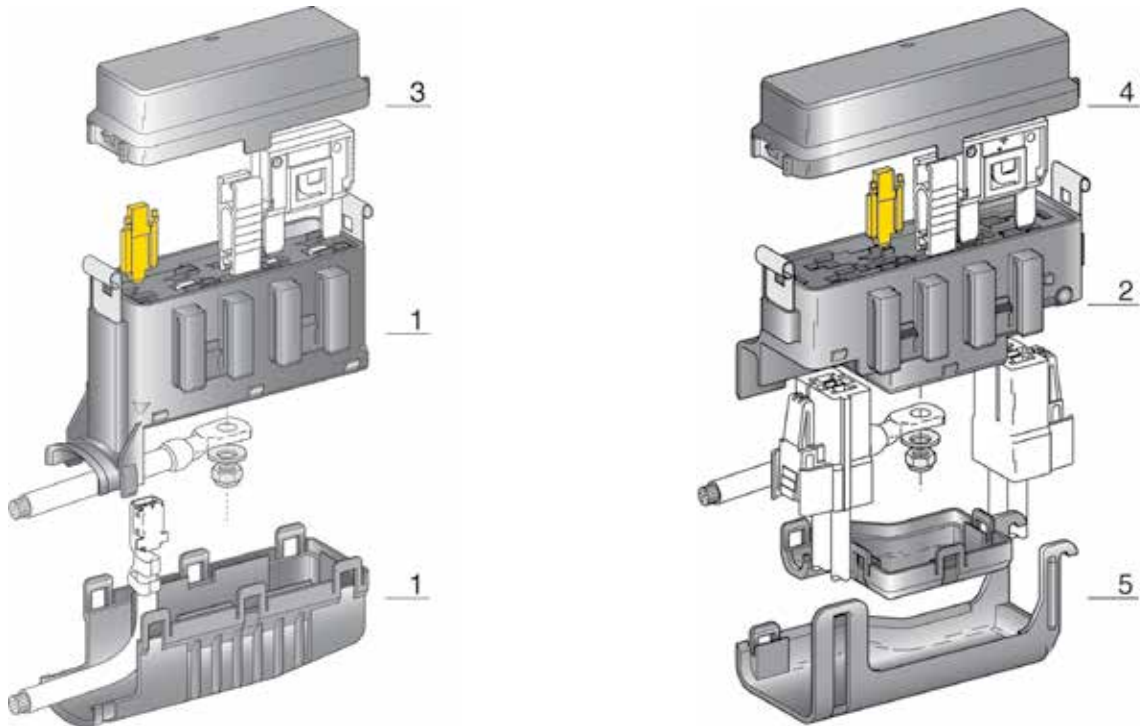


1

IMG	DESCRIPTION	P/N BULK	MOQ
1	CONFIGURABLE POWER DISTRIBUTION UNIT WITH PRESS FIT TECHNOLOGY	0301163	8



# LINK BOX



IMG	DESCRIPTION	WAY	MATERIAL	COLOUR	P/N KIT		MOQ	P/N BULK	MOQ
1	HOUSING + BOTTOM COVER+ S.LOCK + NUTS	4	PA66 GF25 PA66	■ Black	0100500	WITH COVER	1	0300500	100
2	HOUSING + BOTTOM COVER+ S.LOCK + NUTS	4	PA66 GF25 PA66	■ Black	0100800	WITH COVER AND TERMINALS	1	0300800	120
3	UPPER COVER WITH GASKET		PA66 GF25	■ Black				0300950	160
4	UPPER COVER WITH GASKET		PA66 GF25	■ Black				0300850	120
5	WIRE'S COVER		PA66	■ Black				0300849	400

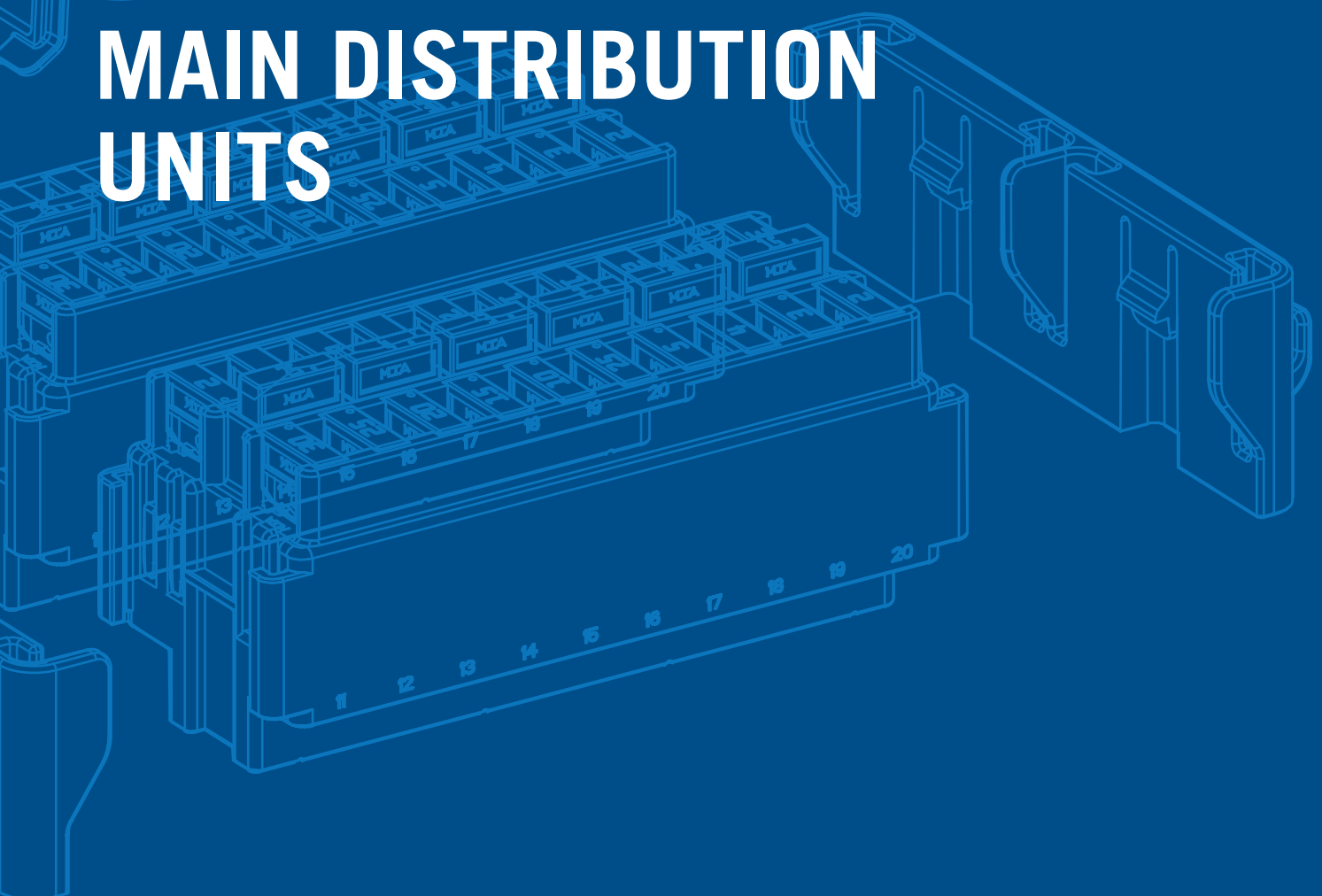


## CONNECTIONS AND FIXINGS

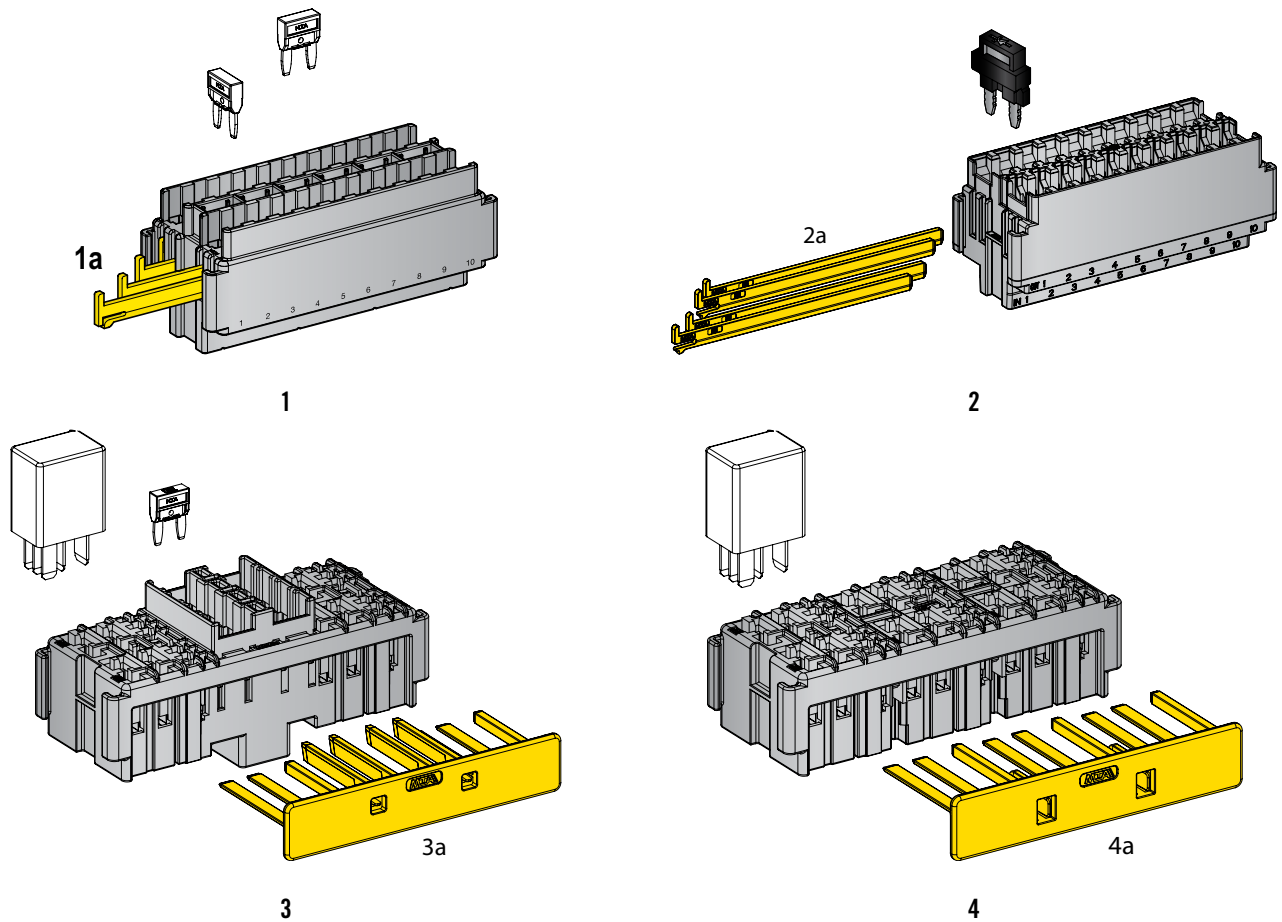
IMG	1+2	1	1+2	1+2	2	2	2	1+2
	0300949	0300690	0300691	F800	1605000	4540315	4540345	4545100



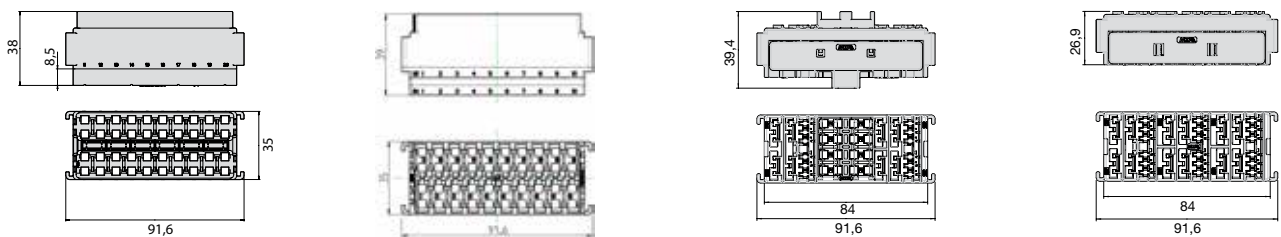
# MAIN DISTRIBUTION UNITS



# MODULES



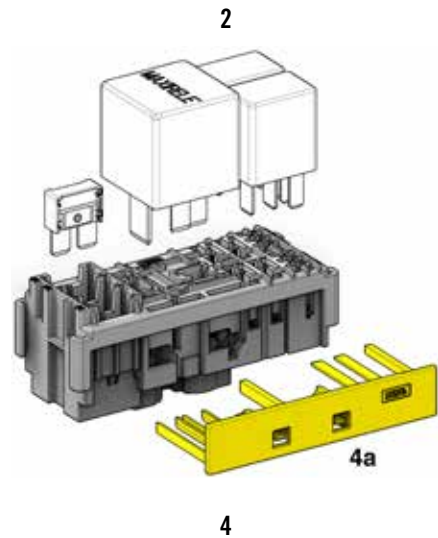
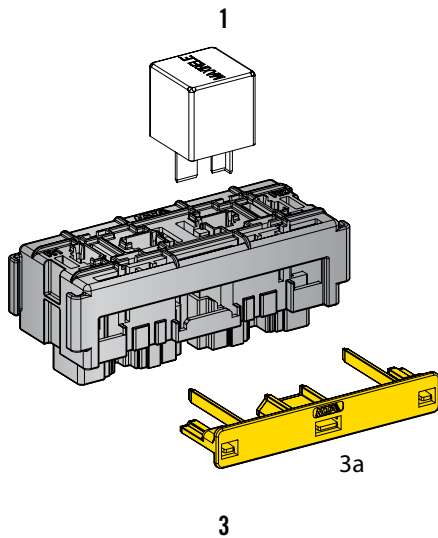
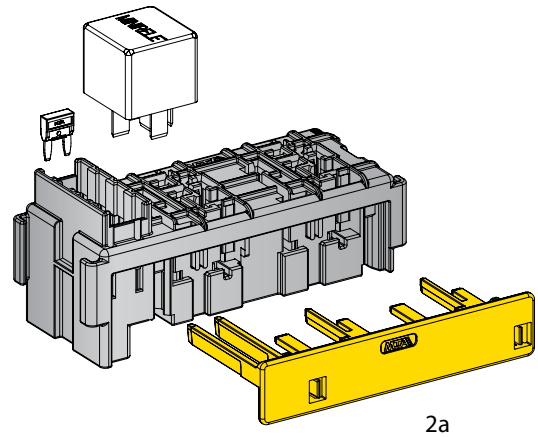
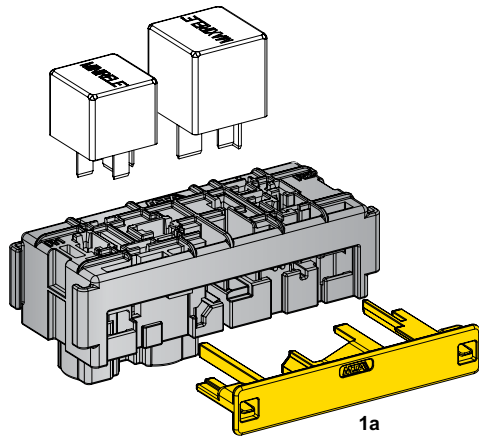
IMG	DESCRIPTION	WAY	MATERIAL	COLOUR	P/N BOX WITH S.LOCK	MOQ	P/N BULK	MOQ
1	MINIVAL MODULE	20	PA66 MD25	Grey	0101460	1	0301460	250
1a	SECONDARYLOCK		PA66	Yellow			0300793	7000
2	DIODES/MINIVAL MODULE	20	PA66 MD25	Grey	0101640	1	0301640	230
2a	SECONDARYLOCK		PA66	Yellow			0300793	7000
3	MINIVAL/MICRORELAY MODULE	8 + 4	PA66 MD25	Grey	0101564	1	0301564	132
3a	SECONDARYLOCK		PA66 GF 13	Yellow			0301566	400
4	MICRORELAY MODULE	6	PA66 MD25	Grey	0101484	1	0301484	198
4a	SECONDARYLOCK		PA66 GF 13	Yellow			0301486	400



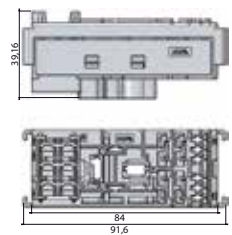
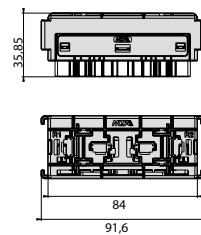
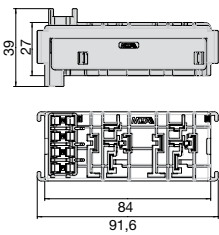
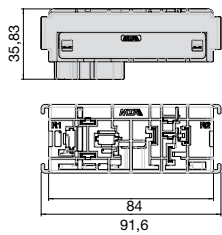
## CONNECTIONS AND FIXINGS

IMG	1+2+3	1+2+3	3+4	3+4	3+4	3+4
	F280	F280 BUS-BAR	F480E	F630E	0301630	0301376

# MODULES



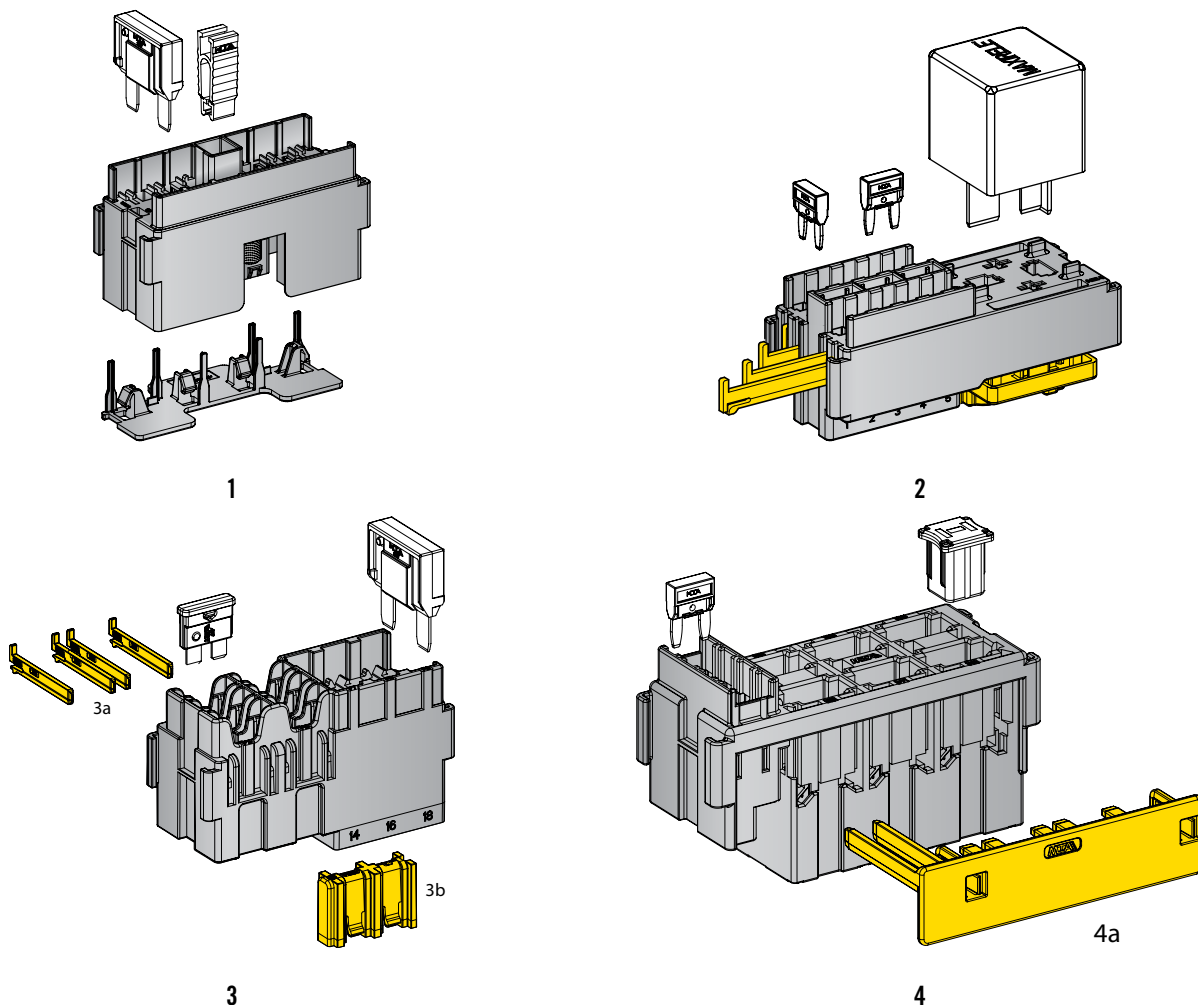
IMG	DESCRIPTION	WAY	MATERIAL	COLOUR	P/N BOX WITH S.LOCK	MOQ	P/N BULK	MOQ
1	MINI/MAXI RELAY MODULE	1 + 1	PA66 MD25	Grey	0101494	1	0301494	132
1a	SECONDARYLOCK		PA66 GF 13	Yellow			0301496	600
2	MINIVAL/MINIRELAY MODULE	4 + 2	PA66 MD25	Grey	0101504	1	0301504	132
2a	SECONDARYLOCK		PA66 GF 13	Yellow			0301506	400
3	MAXIRELAY MODULE	2	PA66 MD25	Grey	0101660	1	0301660	132
3a	SECONDARYLOCK		PA66 GF 13	Yellow			0301661	600
4	MAXICOMPACT/MAXI/MICRO RELAY MODULE	3 + 1 + 2	PA66 MD25	Grey	0101695	1	0301695	132
4a	SECONDARYLOCK		PA66 GF 13	Yellow			0301696	400



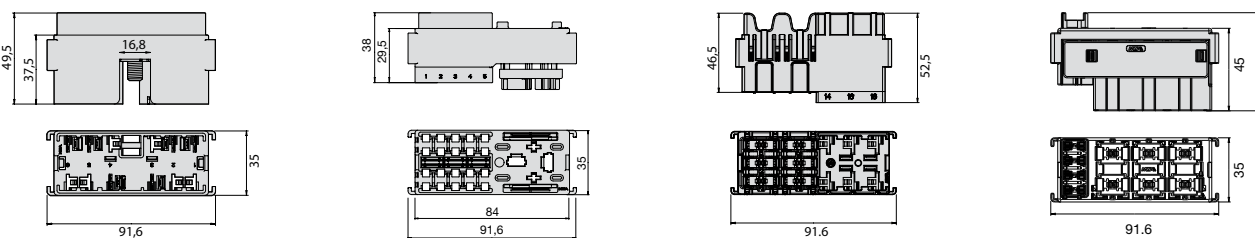
### CONNECTIONS AND FIXINGS

IMG	1+3+4	1+2+3+4	2	2	4	1+2+3+4	1+2+3+4
	F950	F630E	F280	F280 BUS-BAR	F480E	0301630	0301376

# MODULES



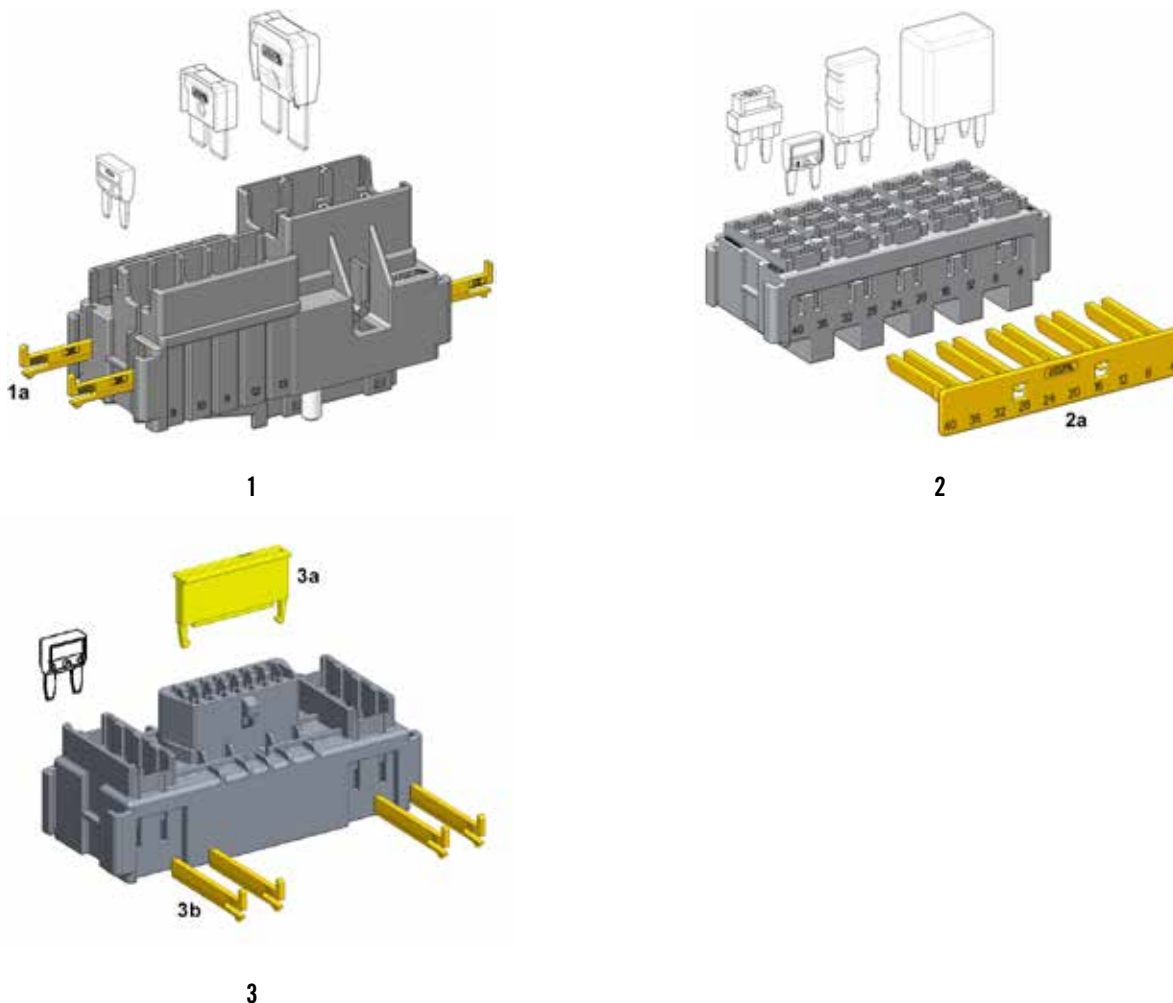
IMG	DESCRIPTION	WAY	MATERIAL	COLOUR	P/N BOX WITH S.LOCK	MOQ	P/N BULK	MOQ
1	MAXIVAL MODULE	6	PBT GF20	Grey	0101470	1	0301470	162
2	MINIVAL/MAXIRELAY MODULE	10 + 1	PA66 MD25	Grey	0101510	1	0301510	200
3	MAXIVAL/UNIVAL MODULE	3 + 6	PA66 MD25	Grey	0101600	1	0301600	100
3a	SECONDARY LOCK FOR UNIVAL		PA66	Yellow			0301601	6000
3b	SECONDARY LOCK FOR MAXIVAL		PA66	Yellow			0301602	1700
4	MINIVAL/TYP A1S MODULE	4 + 6	PA66 MD25	Grey	0101690	1	0301690	99
4a	SECONDARY LOCK		PA66 GF13	Yellow			0301691	300



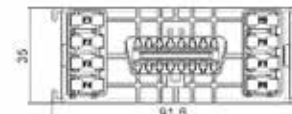
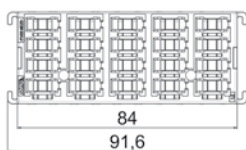
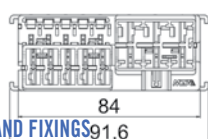
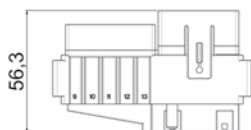
## CONNECTIONS AND FIXINGS

IMG	1+3	2	2	2+4	2+4	3	3	4	2	2
	F800	SPT	F950	F280	F280 BUS-BAR	UNI F630	UNI F630 BUS BAR	M630	0301630	0301376

# MODULES



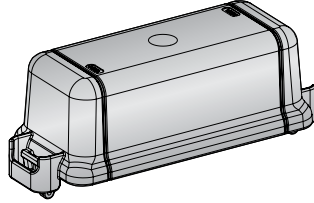
IMG	DESCRIPTION	WAY	MATERIAL	COLOUR	P/N BOX WITH S.LOCK	MOQ	P/N BULK	MOQ
1	MINIVAL/MAXICOMPACT/M8C MODULE	5 + 5 + 3	PA66 MD25	Grey	0101697	1	0301697	162
1a	SECONDARY LOCK		PA 66	Yellow			0300564	486
2	MINIVAL/CIRCUIT BRAKERS/DIODES MODULE MICRO 280 RELAYS MODULE	20 6	PA66 MD25	Grey	0101698	1	0301698	160
2a	SECONDARY LOCK		PA66 GF13	Yellow			0301699	320
3	MINIVAL/OBD MODULE	8 + 1	PA66 GF30	Grey	0101375	1	0301375	96
3a	SECONDARY LOCK FOR OBD CONNECTOR		PA 66	Yellow			0300791	5000
3b	SECONDARY LOCK FOR MINIVAL		PA 66	Yellow			0301601	6000



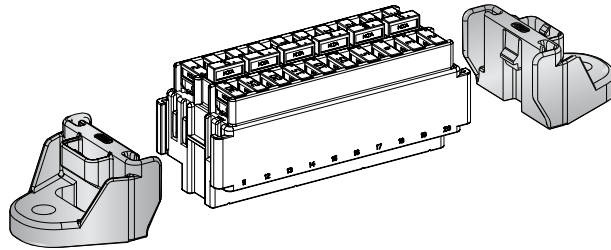
**CONNECTIONS AND FIXINGS**

IMG	1+2+3	2	1	1	2	2	2
	F280	F280 BUS-BAR	F630E	F800 WITH CLIP	0301630	0301376	0301237

# FRAMES, BRACKETS & COVERS

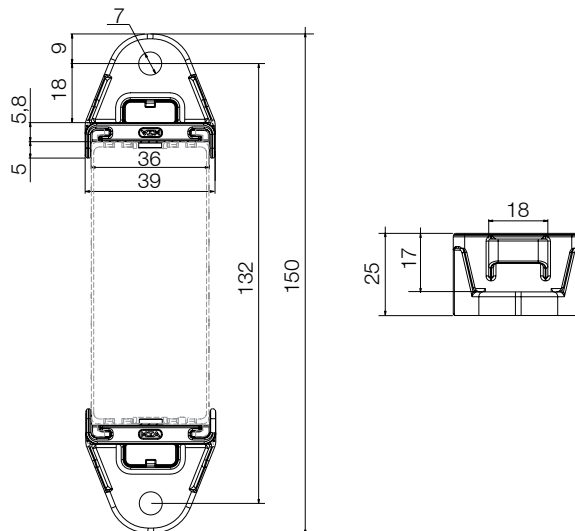


1

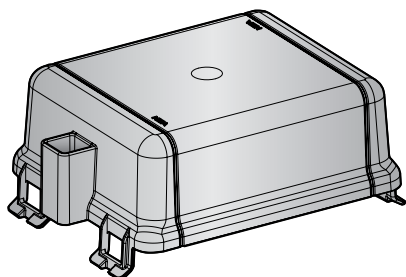


2

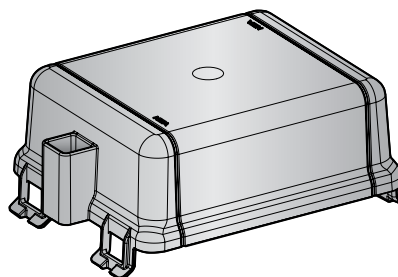
IMG	DESCRIPTION	WAY	MATERIAL	COLOUR	P/N BOX	MOQ	P/N BULK	MOQ
1	COVER	1	PP GF30	Grey	0101590	1	0301590	150
2	BRACKET	1	PP GF30	Grey	0101580	2	0301580	500



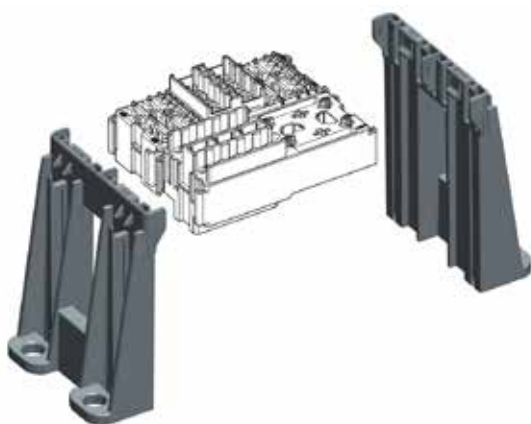
# FRAMES, BRACKETS & COVERS



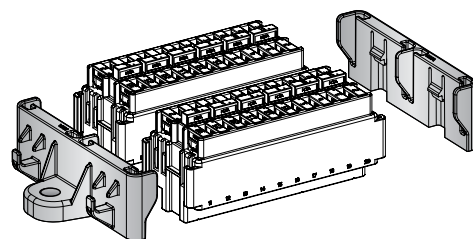
1



1

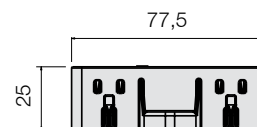
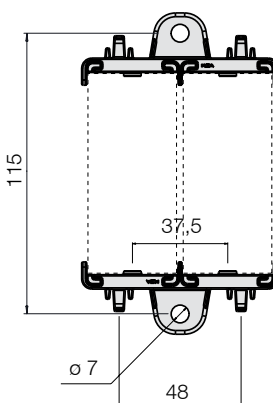
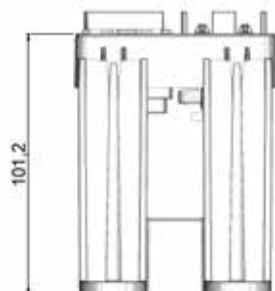
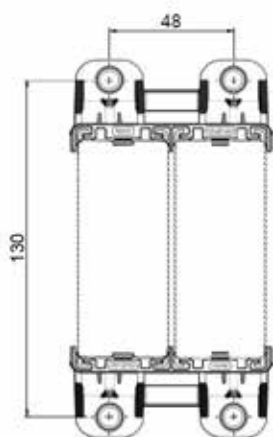


2

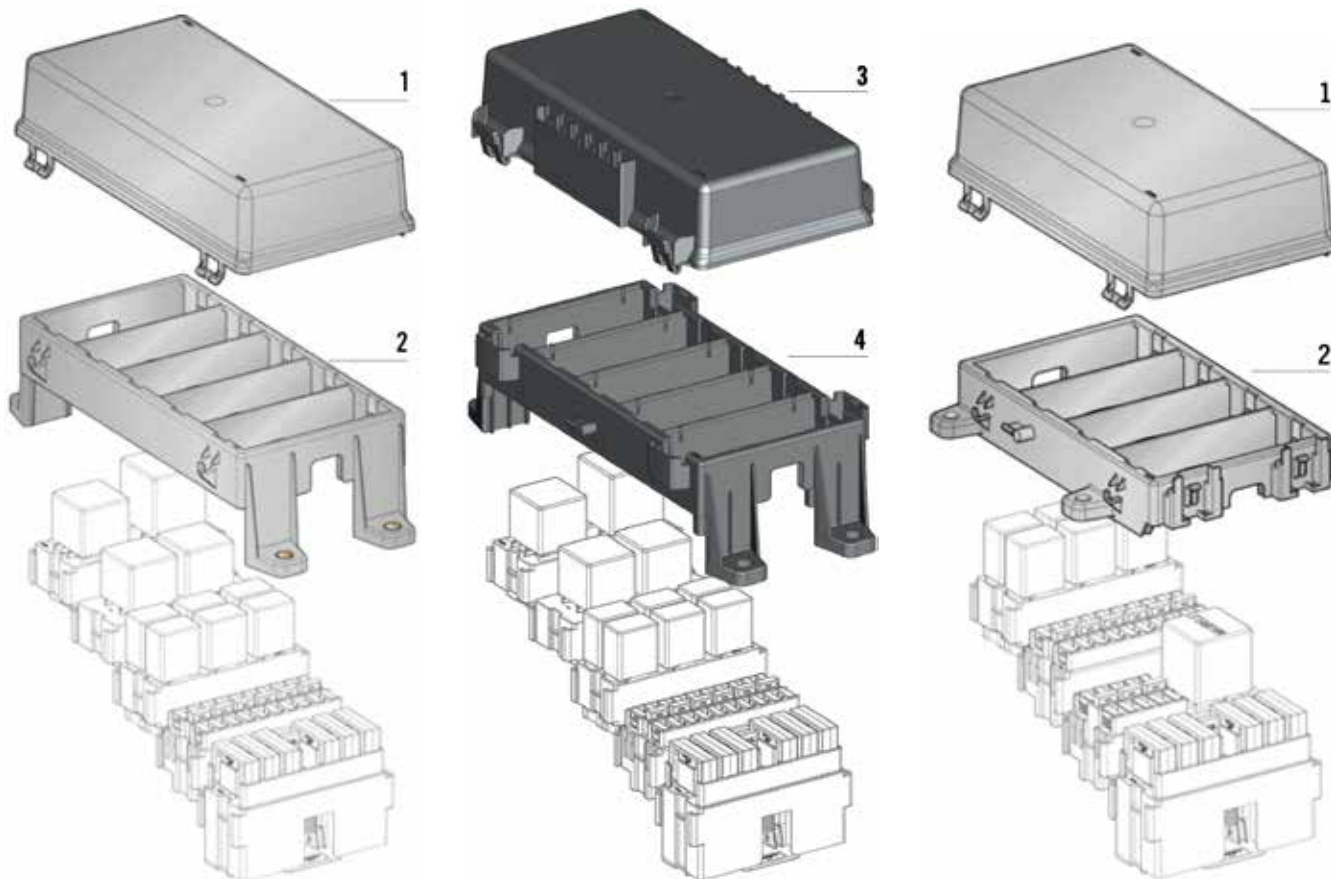


3

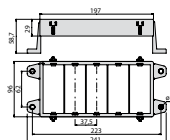
IMG	DESCRIPTION	WAY	MATERIAL	COLOUR	P/N BOX	MOQ	P/N BULK	MOQ
1	COVER	2	PP GF30	Grey	0101550	1	0301550	200
2	BRACKET	2	PP GF30	Grey	0101180	2	0301180	130
3	BRACKET	2	PP GF30	Grey	0100699	2	0300699	400



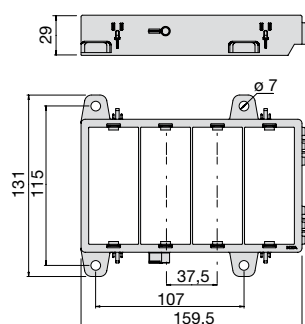
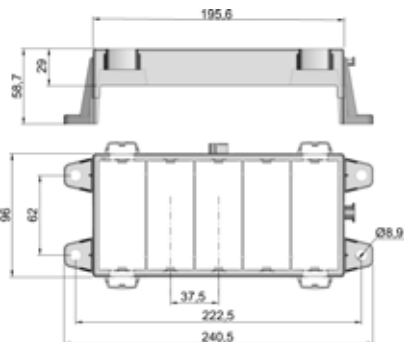
# FRAMES, BRACKETS & COVERS



IMG	DESCRIPTION	WAY	MATERIAL	COLOUR	P/N BULK	MOQ	P/N BULK	MOQ
1	COVER	5	PP GF30	Grey	0101540	3	0301540	48
2	FRAME	5	PP GF30	Grey	0101450	3	0301450	85
3	COVER	5	PP GF30	Grey	0101707	3	0301707	50
4	FRAME	5	PP GF30	Grey	0101706	3	0301706	50
5	COVER	4	PP GF30	Grey	0101530	3	0301530	63
6	FRAME	4	PP GF30	Grey	0101520	3	0301520	63



Lorem ipsum

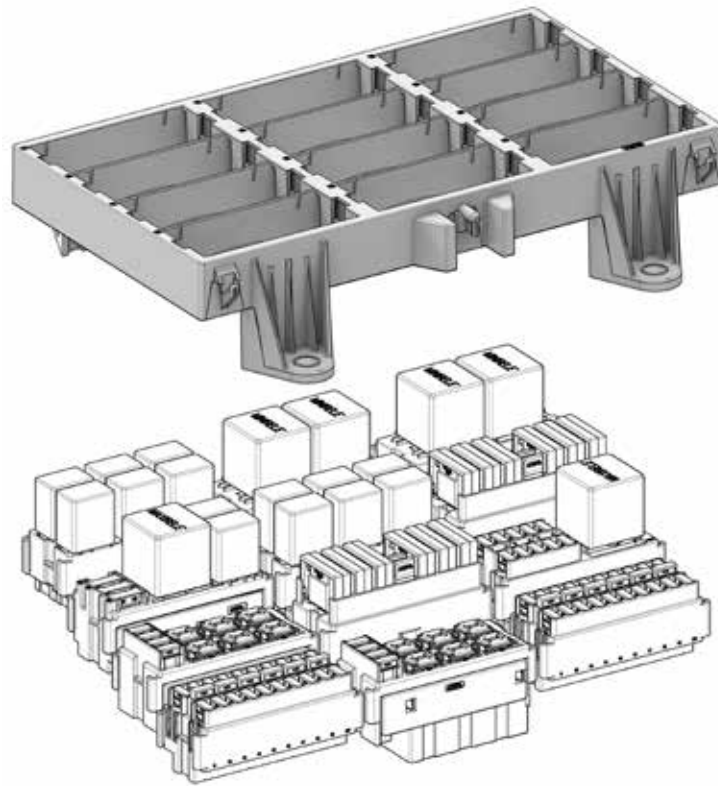


### CONNECTIONS AND FIXINGS

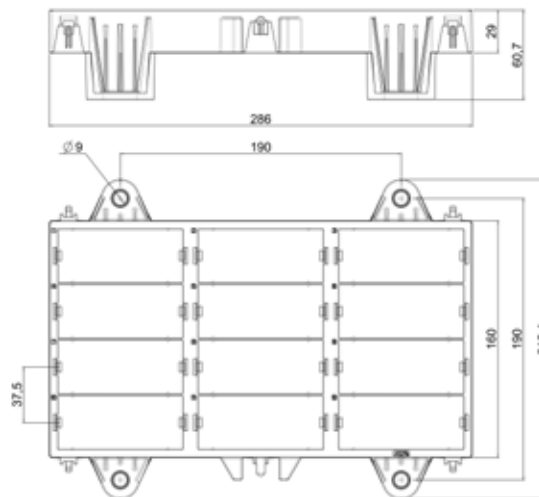
IMG	2+4+6	2+4+6	2+4+6
	0301630	0301376	0301237

**NOTE FOR 0301706**  
 RETAINERS FOR 5-WAY FRAME 0301706  
 ARE ONLY FOR POSITIONS 2,3,4

# FRAMES, BRACKETS & COVERS



IMG	DESCRIPTION	WAY	MATERIAL	COLOUR	P/N BULK	MOQ
1	FRAME	12	PP GF30	Grey	0301682	25



CONNECTIONS AND FIXINGS

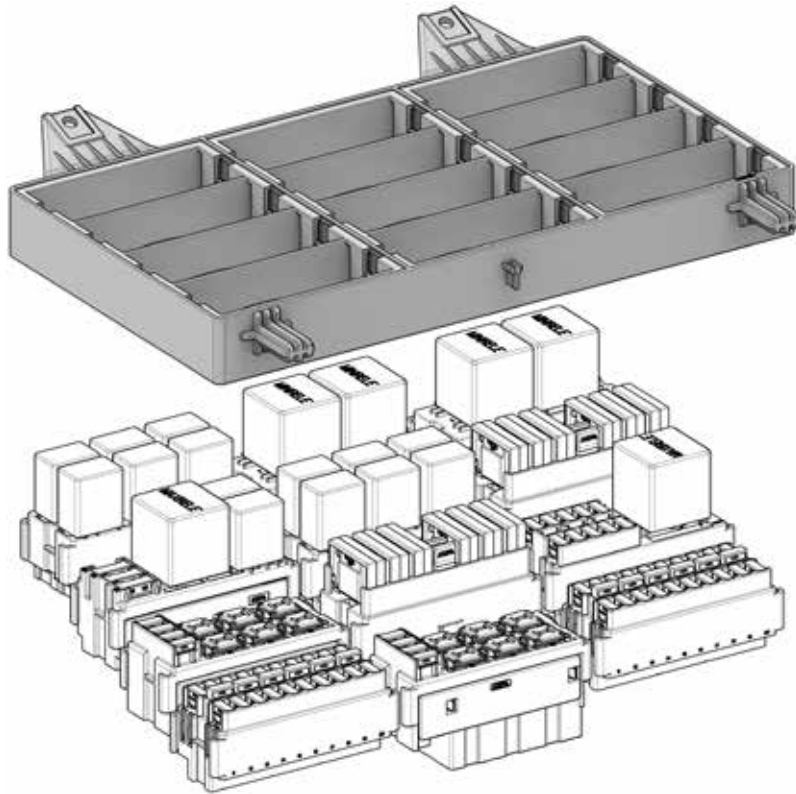


0301376

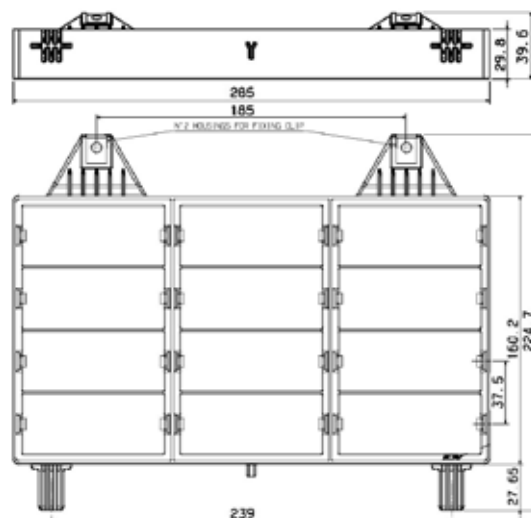


0301237

# FRAMES, BRACKETS & COVERS



IMG	DESCRIPTION	WAY	MATERIAL	COLOUR	P/N BULK	MOQ
1	FRAME	12	PP GF30	Grey	0301680	104



CONNECTIONS AND FIXINGS

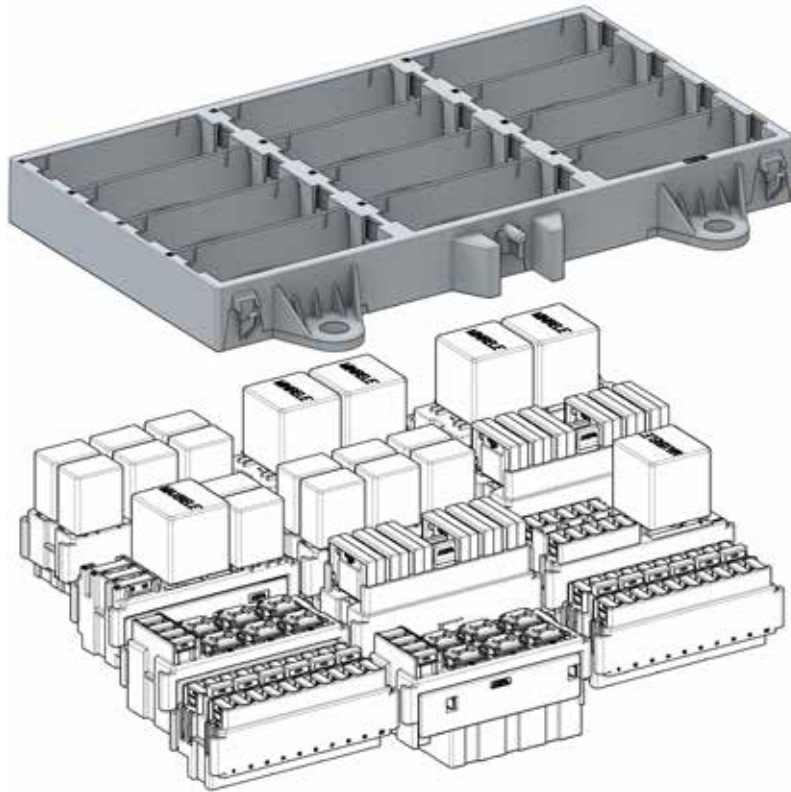


0301376

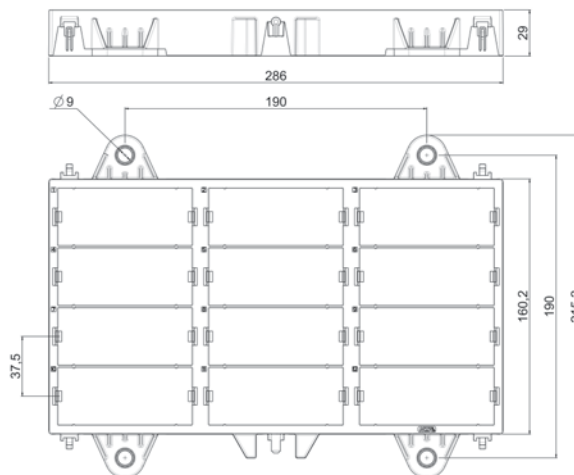


0301237

# FRAMES, BRACKETS & COVERS



IMG	DESCRIPTION	WAY	MATERIAL	COLOUR	P/N BULK	MOQ
1	FRAME	12	PP GF30	Grey	0301681	30



CONNECTIONS AND FIXINGS

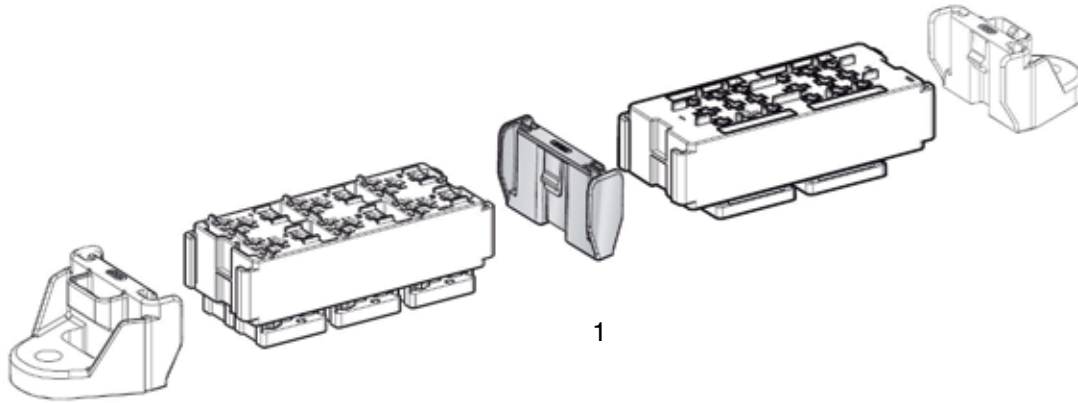


0301376

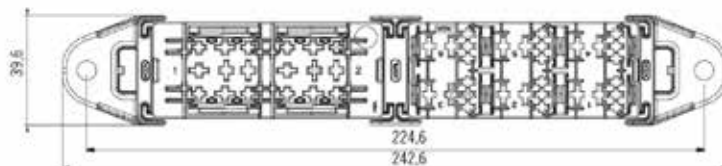


0301237

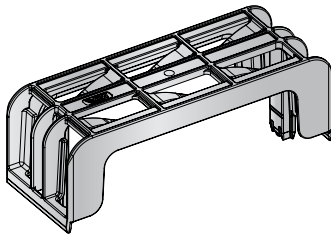
# FRAMES, BRACKETS & COVERS



IMG	DESCRIPTION	WAY	MATERIAL	COLOUR	P/N BULK	MOQ
1	BRACKET	1	PP GF30	Grey	0301620	250



# FRAMES, BRACKETS & COVERS



1

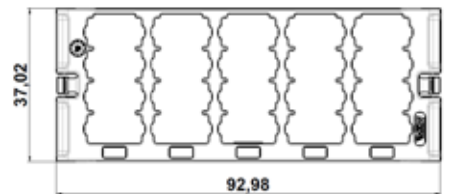
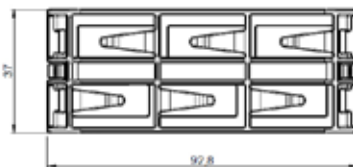
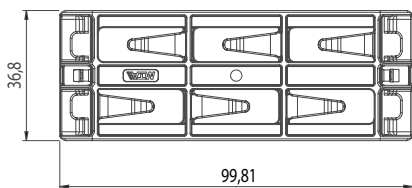


2

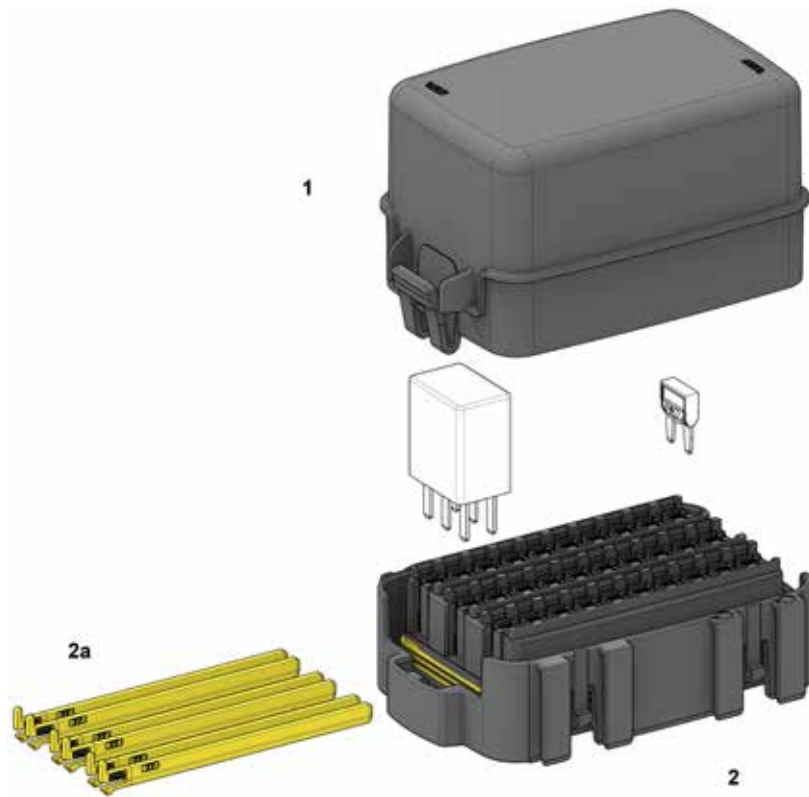


3

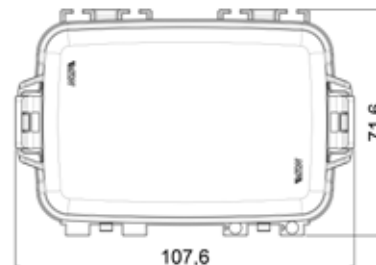
IMG	DESCRIPTION	MATERIAL	COLOUR	P/N BULK	MOQ
1	RELAY RETAINER FOR 0301450, 0301706 (FOR POSITIONS 2,3,4 ONLY), 0301520	PA66 - GF13	Grey	0301630	350
2	RELAY RETAINER FOR 0301450, 0301706 (FOR POSITIONS 2,3,4 ONLY), 0301520, 0301682, 0301680, 0301681	PA66 - GF13	Grey	0301376	120
3	CIRCUIT BREAKER GUIDE FOR 0301450, 0301706 (FOR POSITIONS 2,3,4 ONLY), 0301520, 0301682, 0301680, 0301681	PA66 - GF30	Grey	0301237	210



# FOOTPRINT WATERPROOF MODULE



IMG	DESCRIPTION	MATERIAL	COLOUR	P/N BOX WITH S.LOCK	MOQ	P/N BULK	MOQ
1	COVER	PA66 GF30	■ Black	0101371	1	0301371	100
2	30 MINIVAL or 10 MICRORELAY WP FOOTPRINT MODULE	PA66 MD25	■ Black	0101370	1	0301370	60
2a	SECONDARY LOCK	PA 66	■ Yellow			0301372	1500



## CONNECTIONS AND FIXINGS



F280 WP



GASKETS FOR F280 WP



PLUG FOR F280 WP

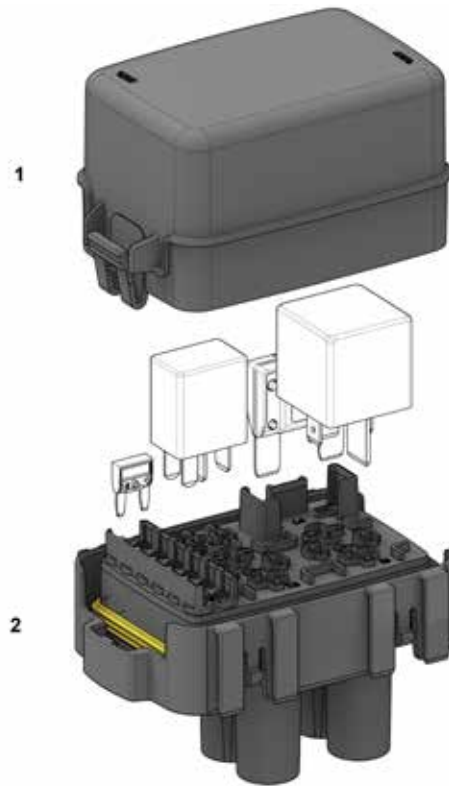


0300690

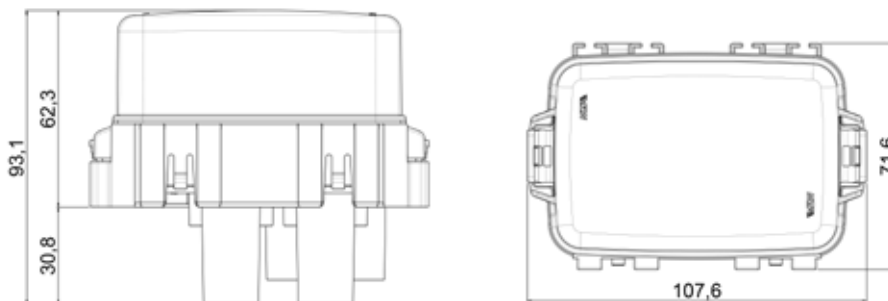


0300691

# MINI/MAXIVAL - MAXI/MICRO RELAY WP MODULE



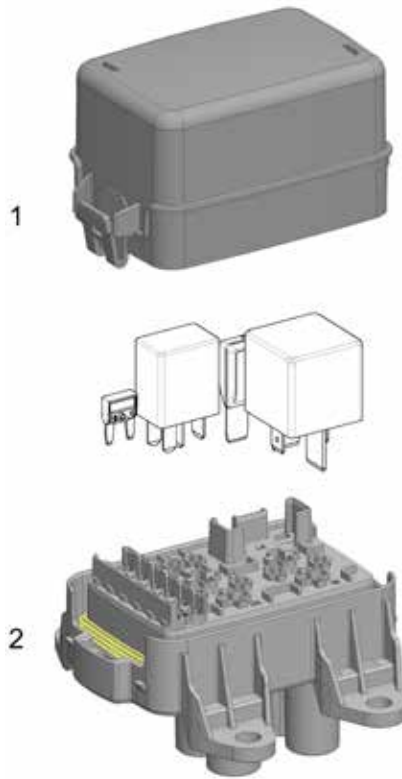
IMG	DESCRIPTION	MATERIAL	COLOUR	P/N BOX	MOQ	P/N BULK	MOQ
1	COVER	PA66 GF30	■ Black	0101371	1	0301371	100
2	6 MINIVAL + 1 MAXIVAL + 2 MAXIRELAY + 1 MICRORELAY MODULE	PA66 MD25	■ Black	0101491	1	0301491	60



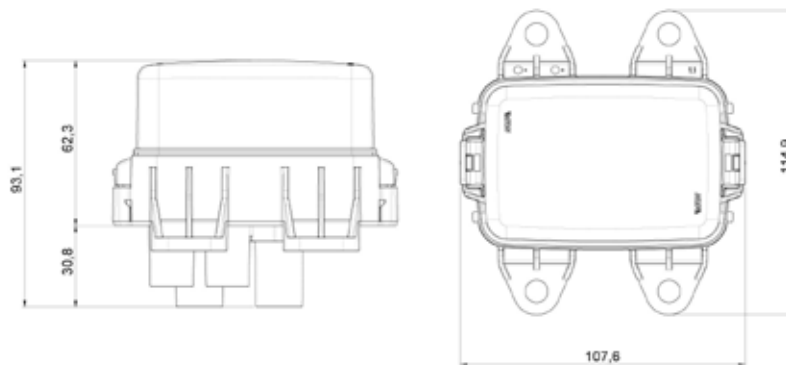
## CONNECTIONS AND FIXINGS

F280 WP WITH GASKETS/PLUG	F800 WP WITH GASKETS/PLUG	JPT WP	SPT WP	MPT WP	4551903 FOR MPT WP	4423721 FOR MPT WP	0300690	0300691

# MINI/MAXIVAL - MAXI/MICRO RELAY WP MODULE



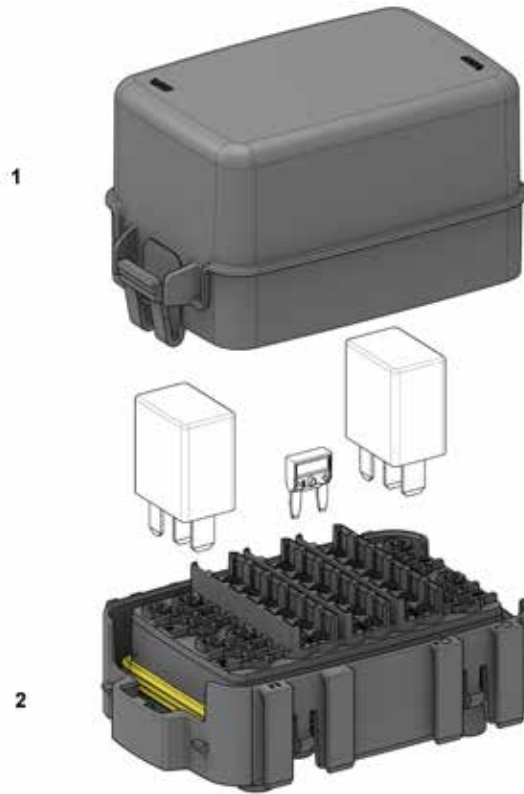
IMG	DESCRIPTION	MATERIAL	COLOUR	P/N BULK	MOQ
1	COVER	PA66 GF30	■ Black	0101377	100
2	6 MINIVAL + 1 MAXIVAL + 2 MAXIRELAY + 1 MICRORELAY MODULE WITH MOUNTING BRACKETS	PA66 MD25	■ Black	0301407	TBD



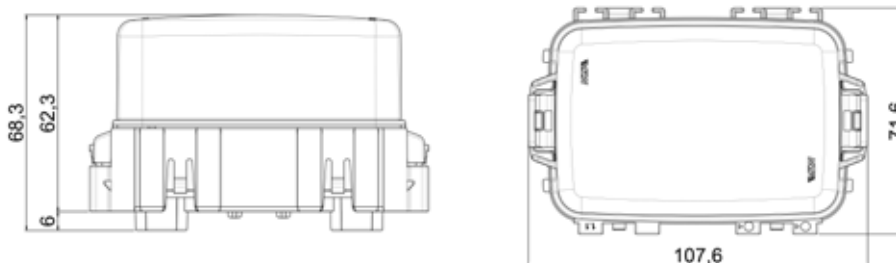
## CONNECTIONS AND FIXINGS

F280 WP WITH GASKETS/PLUG	F800 WP WITH GASKETS/PLUG	JPT WP	SPT WP	MPT WP	4551903 FOR MPT WP	4423721 FOR MPT WP

# MINIVAL - MICRO RELAY WP MODULE



IMG	DESCRIPTION	MATERIAL	COLOUR	P/N BOX	MOQ	P/N BULK	MOQ
1	COVER	PA66 GF30	■ Black	0101371	1	0301371	100
2	18 MINIVAL + 4 MICRORELAY MODULE	PA66 MD25	■ Black	0101568	1	0301568	48



## CONNECTIONS AND FIXINGS



F280 WP



GASKETS FOR F280 WP



PLUG FOR F280 WP



JPT WP



SPT WP

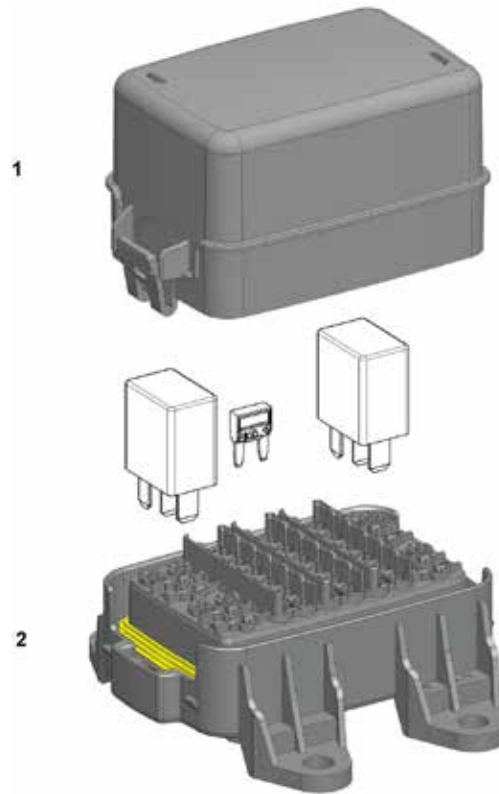


0300690

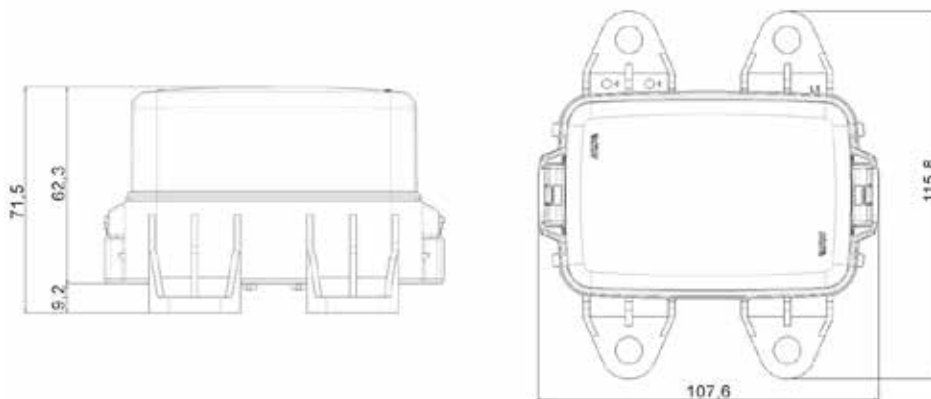


0300691

# MINIVAL - MICRO RELAY WP MODULE



IMG	DESCRIPTION	MATERIAL	COLOUR	P/N BULK	MOQ
1	COVER	PA66 GF30	■ Black	0301377	100
2	18 MINIVAL + 4 MICRORELAY MODULE WITH MOUNTING BRACKETS	PA66 MD25	■ Black	0301373	60



## CONNECTIONS AND FIXINGS



F280 WP



GASKETS FOR F280 WP



PLUG FOR F280 WP

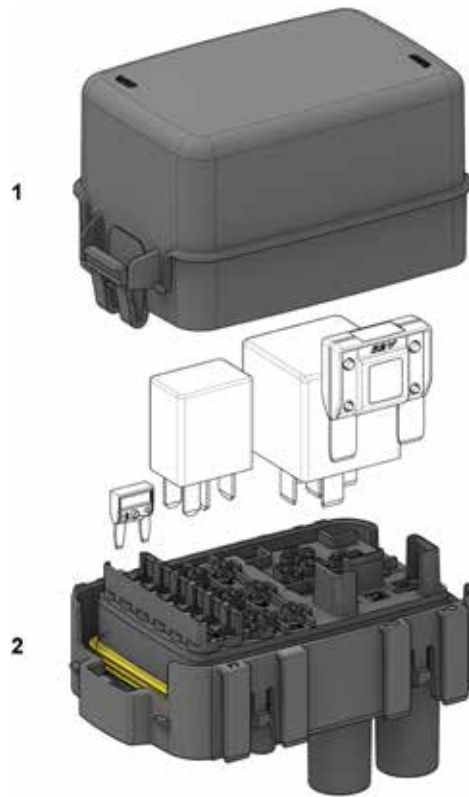


JPT WP

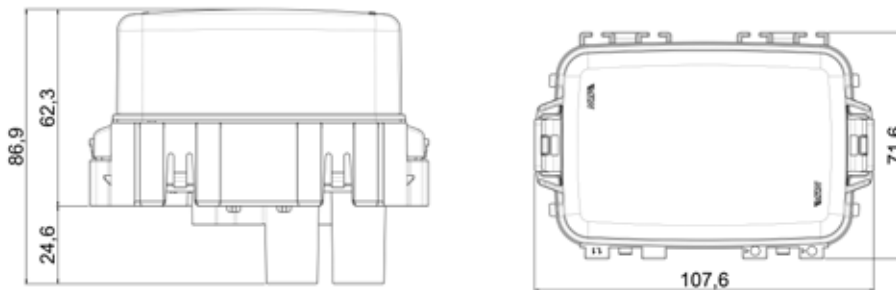


SPT WP

# MINI/MAXIVAL - MINI/MICRO RELAY WP MODULE



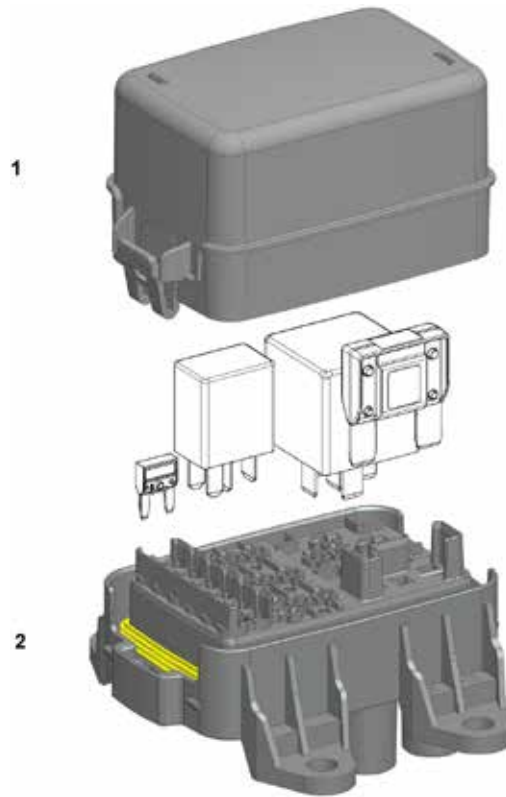
IMG	DESCRIPTION	MATERIAL	COLOUR	P/N BOX	MOQ	P/N BULK	MOQ
1	COVER	PA66 GF30	■ Black	0101371	1	0301371	100
2	6 MINIVAL + 1 MAXIVAL + 1 MINIRELAY + 3 MICRORELAY	PA66 MD25	■ Black	0101569	1	0301569	60



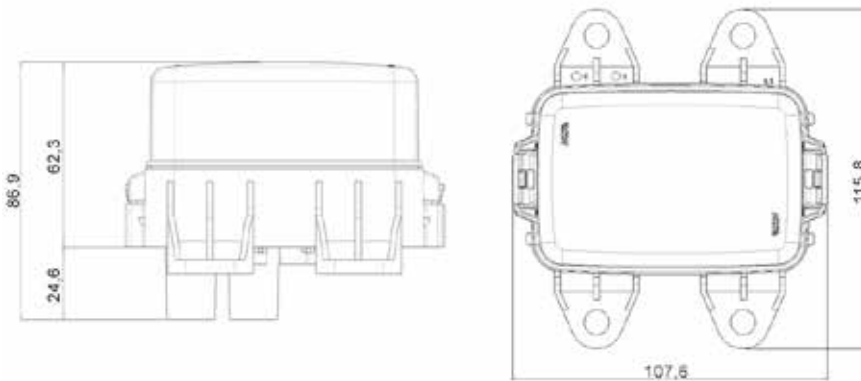
## CONNECTIONS AND FIXINGS

F280 WP	GASKETS FOR F280 WP	PLUG FOR F280 WP	F800 WP	GASKETS FOR F800 WP	PLUG FOR F800 WP	JPT WP	SPT WP	0300690	0300691

# MINI/MAXIVAL - MINI/MICRO RELAY WP MODULE



IMG	DESCRIPTION	MATERIAL	COLOUR	P/N BULK	MOQ
1	COVER	PA66 GF30	■ Black	0301377	100
2	6 MINIVAL + 1 MAXIVAL + 1 MINIRELAY + 3 MICRORELAY WITH MOUNTING BRACKETS	PA66 MD25	■ Black	0301374	45



## CONNECTIONS AND FIXINGS



F280 WP



GASKETS FOR F280 WP



PLUG FOR F280 WP



F800 WP



GASKETS FOR F800 WP



PLUG FOR F800 WP

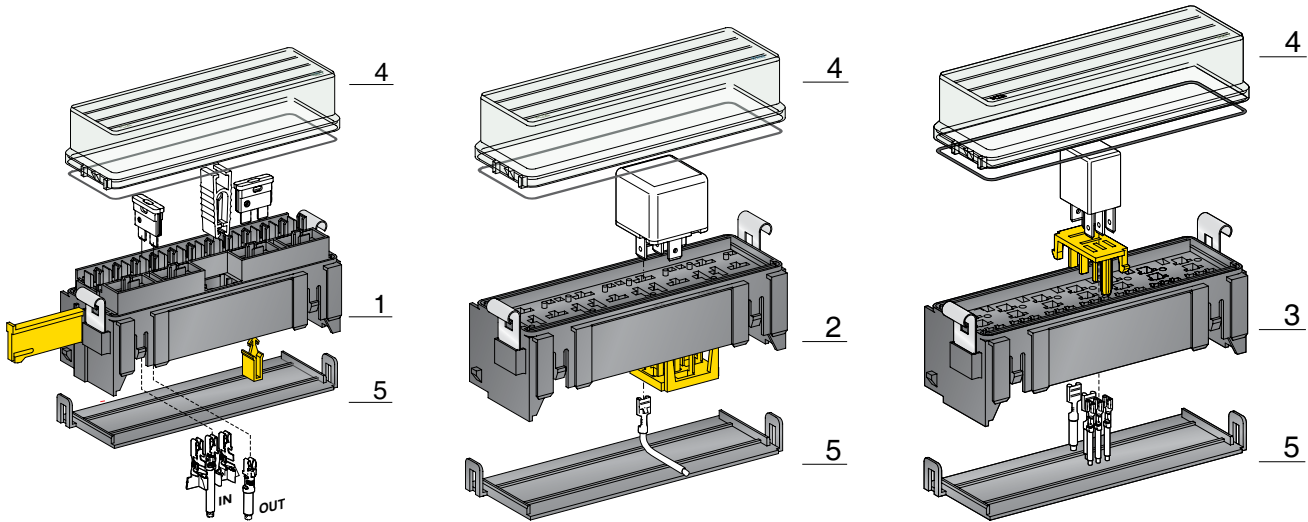


JPT WP

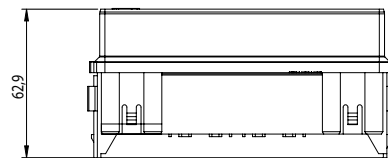
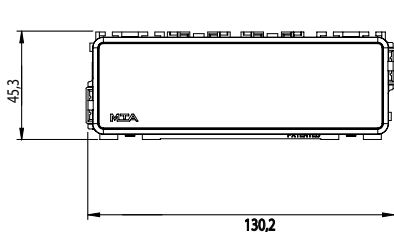


SPT WP

# FUSE BOXES



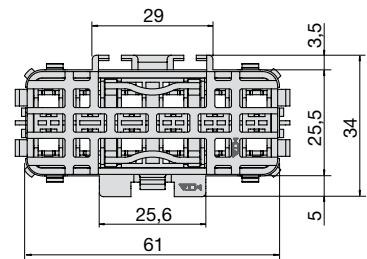
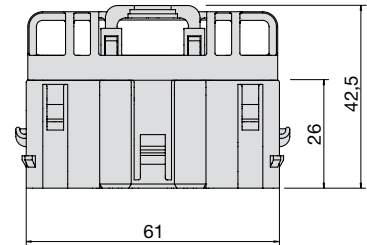
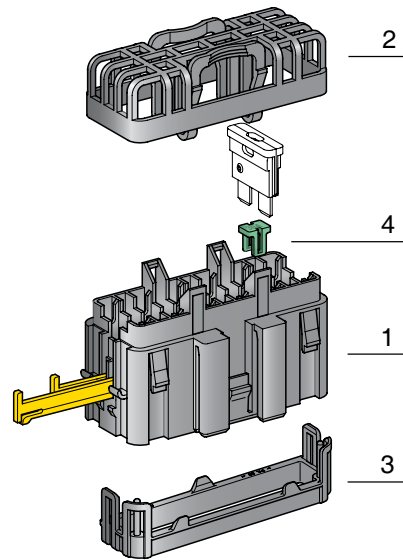
IMG	DESCRIPTION	WAY	MATERIAL	COLOUR	P/N KIT COVER,BRACKETS AND TERMINALS	INNER BOX PCS	MOQ	P/N BULK	MOQ
1	UNIVAL HOLDER	16	PA66 GF25	■ Black	0100655	1	16	0300650	36
2	MINI RELAY HOLDER	4	PA66 GF25	■ Black	0100665	1	16	0300660	60
3	MICRO RELAY HOLDER	7	PA66 GF25	■ Black	0100705	1	16	0300700	100
4	COVER WITH GASKET		PC	□ Natural				0300670	80
5	BOTTOM COVER		PA66	■ Black				0300680	72



## CONNECTIONS AND FIXINGS

IMG	1+2+3	1+2+3	1	1	2	3	3	1+2+3
	0300690	0300691	UNI F630 BUS-BAR	UNI F630	FASTON F630 WITH LOCKING NOTCH	FASTON F480 PASSO 5	FASTON F630 THICKNESS 0,35	0300856

# 6-WAY U.P.L.



IMG	DESCRIPTION	WAY	MATERIAL	COLOUR	P/N BULK	MOQ
1	HOUSING	6	PA66 GF25	Black	0303006	500
2	COVER		PA66 GF30	Black	0303009	600
3	WIRE'S COVER		PA66	Black	0303008	1000
4	IDENTIFICATION INSERT 3 AMP		PBT GF20	Violet	0303003	500
	IDENTIFICATION INSERT 5 AMP		PBT GF20	Beige	0303005	500
	IDENTIFICATION INSERT 7,5 AMP		PBT GF20	Brown	0303007	500
	IDENTIFICATION INSERT 10 AMP		PBT GF20	Red	0303010	500
	IDENTIFICATION INSERT 15 AMP		PBT GF20	Blue	0303015	500
	IDENTIFICATION INSERT 20 AMP		PBT GF20	Yellow	0303020	500
	IDENTIFICATION INSERT 25 AMP		PBT GF20	White	0303025	500
	IDENTIFICATION INSERT 30 AMP		PBT GF20	Green	0303030	500

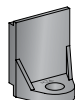
## CONNECTIONS AND FIXINGS



0300949



0300690



0300691

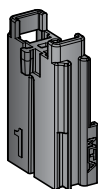
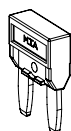


UNI F630  
BUS-BAR

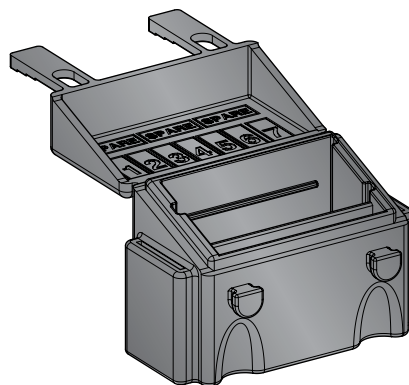


UNI F630

# SML

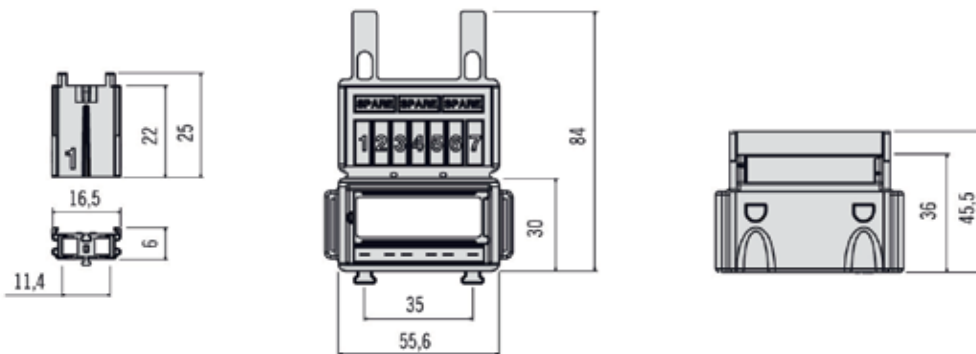


1



2

IMG	DESCRIPTION	WAY	MATERIAL	COLOUR	P/N KIT WITH TERMINALS	MOQ	P/N BULK	MOQ
1	HOUSING	1	PA66 GF30	■ Black			0301420	2800
2	MODULE FOR MINIVAL	7	EPDM-60	■ Black			0301430	250
	MODULE FOR MINIVAL KIT WITH TERMINALS	7	EPDM-60-D15	■ Black	0301435	1	0301431	400

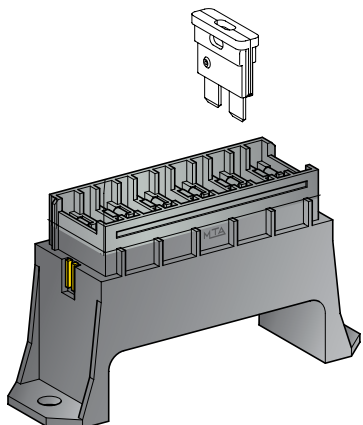


CONNECTIONS AND FIXINGS

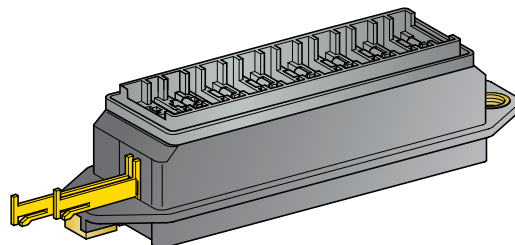


F280

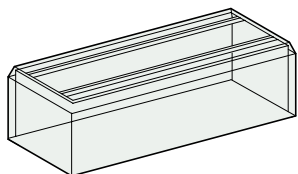
# AXIAL EXITS



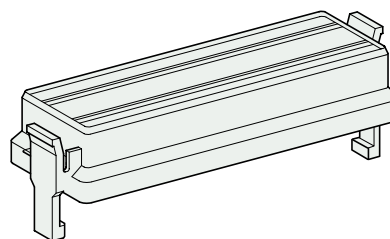
1



2

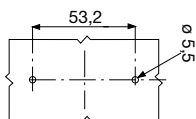


3

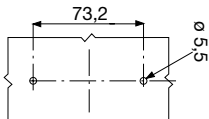


4

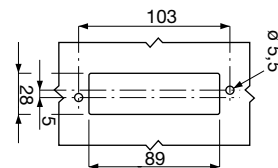
IMG	DESCRIPTION	WAY	MATERIAL	COLOUR	P/N KIT WITH COVER AND TERMINALS	INNER BOX PCS	MOQ	P/N BULK	MOQ
1	HOUSING WITH TERMINALS	4	PA66 GF30	■ Black	0100540	1	24	0300540	500
	HOUSING W/OUT TERMINALS	4	PA66 GF30	■ Black					
	HOUSING WITH TERMINALS	6	PA66 GF30	■ Black	0100560	1	12	0300560	500
	HOUSING W/OUT TERMINALS	6	PA66 GF30	■ Black					
2	HOUSING WITH TERMINALS	8	PA66 GF30	■ Black	0100580	1	9	0300580	300
	HOUSING W/OUT TERMINALS	8	PA66 GF30	■ Black					
3	COVER	4	PC	□ Natural				0300542	500
	COVER	6	PC	□ Natural				0300562	400
4	COVER WITH GASKET	8	PA 12	□ Natural				0300582	150



4 WAY

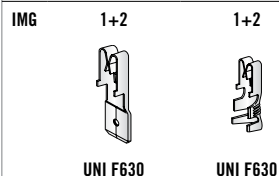


6 WAY



8 WAY

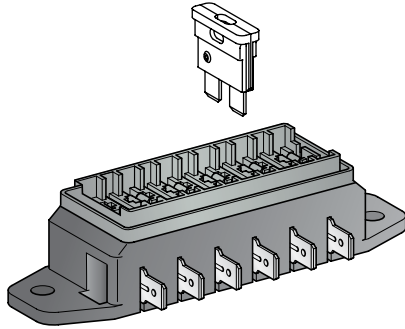
**CONNECTIONS AND FIXINGS**



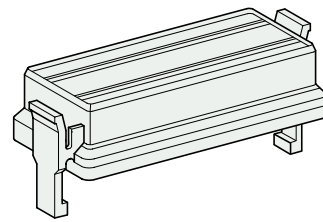
UNI F630

UNI F630

# LATERAL EXITS

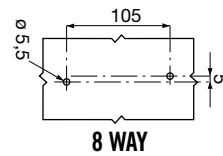
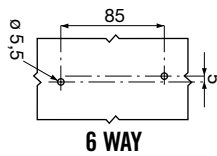
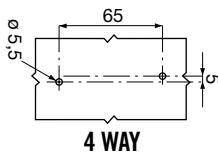


1

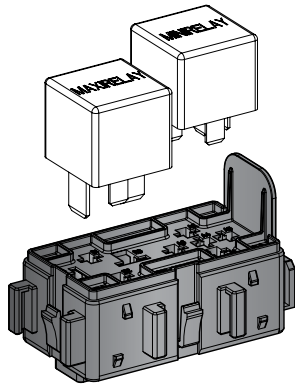


2

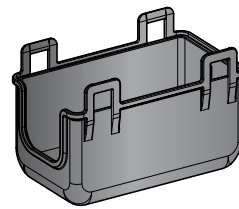
IMG	DESCRIPTION	WAY	MATERIAL	COLOUR	P/N KIT WITH COVER AND TERMINALS	INNER BOX PCS	MOQ	P/N BULK	MOQ
1	HOUSING WITH TERMINALS	4	PA66 GF30	■ Black	0100610	1	24	0300610	500
	HOUSING WITH TERMINALS	6	PA66 GF30	■ Black	0100600	1	12	0300600	400
	HOUSING WITH TERMINALS	8	PA66 GF30	■ Black	0100590	1	9	0300590	300
2	COVER WITH GASKET	4	PA12	□ Natural				0300612	450
	COVER WITH GASKET	6	PA12	□ Natural				0300602	80
	COVER WITH GASKET	8	PA12	□ Natural				0300582	150



# RELAY HOLDER

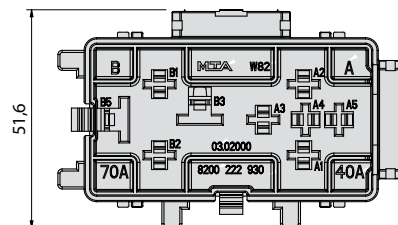
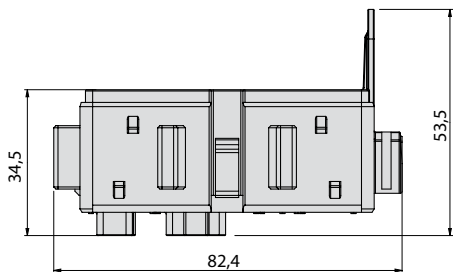


1



2

IMG	DESCRIPTION	WAY	MATERIAL	COLOUR	P/N BULK	MOQ
1	HOLDER FOR MAXI AND MINI RELAY	2	PBT GF20	■ Black	0302000	240
2	UPPER AND BOTTOM COVER		PP	■ Black	0302001	240



**CONNECTIONS AND FIXINGS**



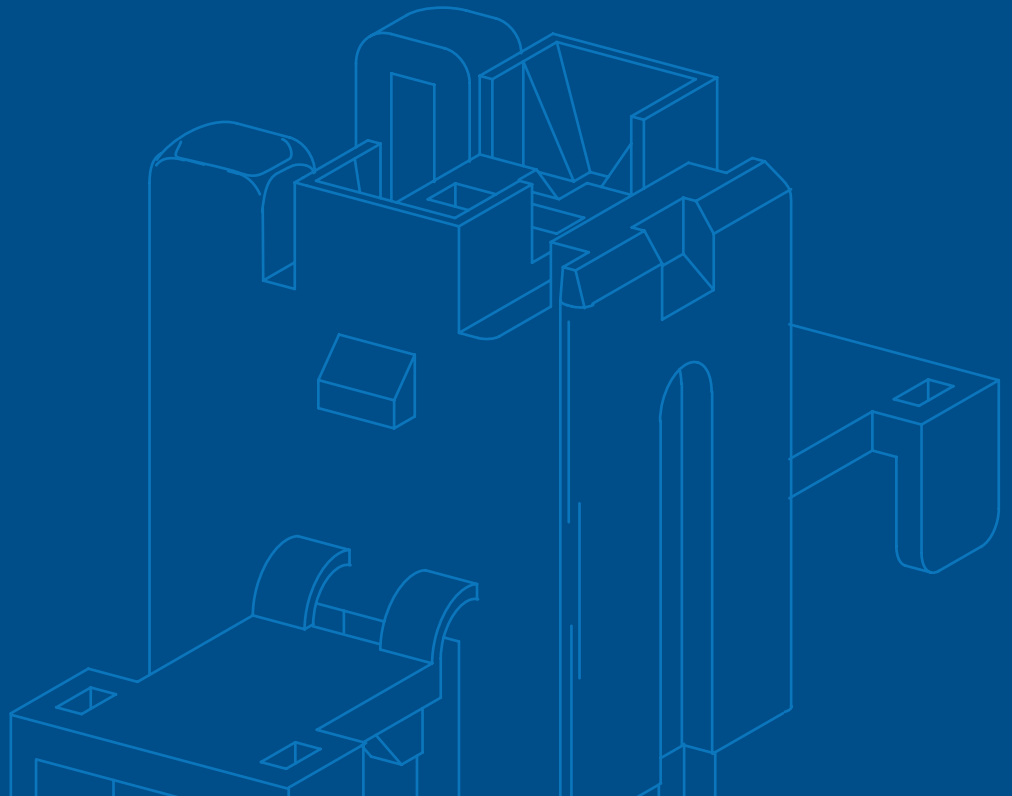
L-TYPE F950



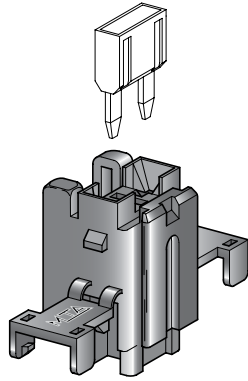
NG1 6,3



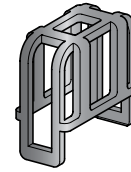
# FUSE/RELAY HOLDERS



# MINIVAL® IN-LINE HOLDER

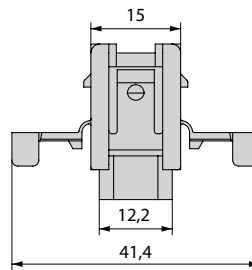
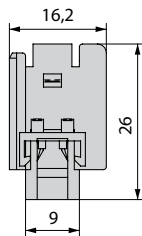


1

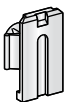


2

IMG	DESCRIPTION	WAY	MATERIAL	COLOUR	P/N BOX	MOQ	P/N BULK	MOQ	P/N BULK	MOQ
1	HOUSING	1	PA66	■ Black	0101400	5	0301400	200	0301410	2000
2	COVER		PA66	■ Black	0100416	5			0300416	2000



## CONNECTIONS AND FIXINGS

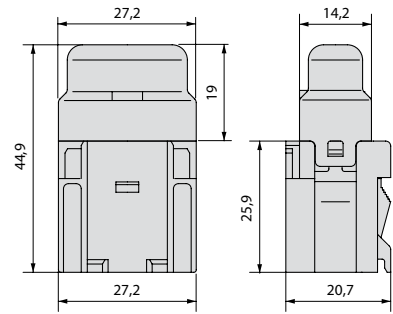
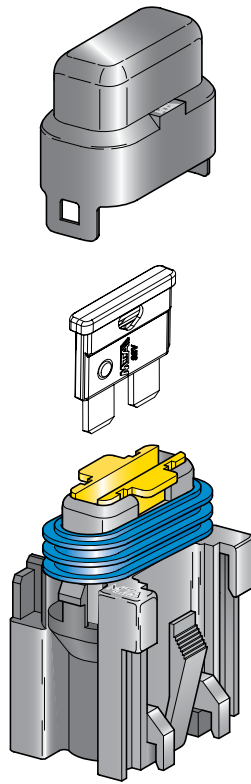


0300395  
0300398



JPT

# SPLASH PROOF UNIVAL® HOLDER



1

IMG.	DESCRIPTION	WAY	MATERIAL	COLOUR	P/N BOX	MOQ	P/N BOX	MOQ	P/N BULK	MOQ
1	SPLASH PROOF HOLDER+ COVER	1	PA66	Black					0301301	1200
	+ SECONDARYLOCK 1 AMP		PBT GF20	Black						
	+ SECONDARYLOCK 5 AMP		PBT GF20	Beige			0302305	100	0301305	1200
	+ SECONDARYLOCK 7,5 A		PBT GF20	Brown					0301307	1200
	+ SECONDARYLOCK 10 AMP		PBT GF20	Red			0302310	100	0301310	1200
	+ SECONDARYLOCK 15 AMP		PBT GF20	Blue			0302315	100	0301315	1200
	+ SECONDARYLOCK 20 AMP		PBT GF20	Yellow			0302320	100	0301320	1200
	+ SECONDARYLOCK 25 AMP		PBT GF20	Natural			0302325	100	0301325	1200
	+ SECONDARYLOCK 30 AMP		PBT GF20	Green			0302330	100	0301330	1200
	KIT WITH TERMINALS GASKET AND FIXING PLATE				3050153	1				

CONNECTIONS AND FIXINGS



0300949



0300856



0300392



0300440



0300430



0300698



0300697



UNI F630



UNI F630  
WITH CLIP

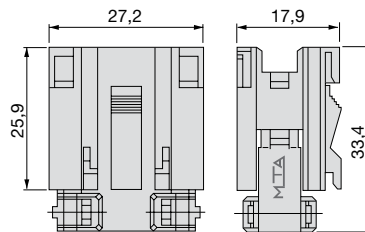


4507770  
4507771

# UNIVAL® HOLDER



IMG	DESCRIPTION	WAY	MATERIAL	COLOUR	P/N BOX	MOQ	P/N BULK	MOQ
1	HOLDER	1	PA66	■ Black	0100400	25	0300400	500
	HOLDER	1	PA66	■ Brown			0300402	500
2	COVER		PA66 GF30	■ Black	0100415	25	0300415	1000



## CONNECTIONS AND FIXINGS



0300949



0300856



0300392



0300440



0300430



0300698

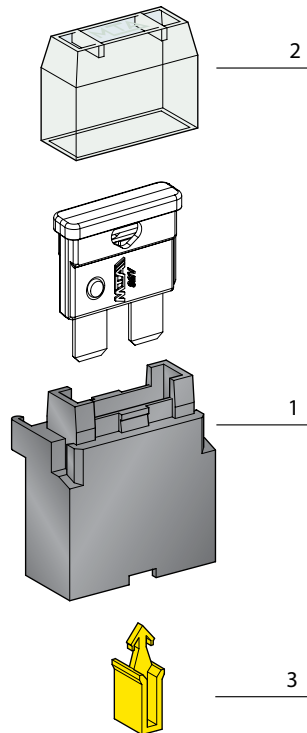


0300697

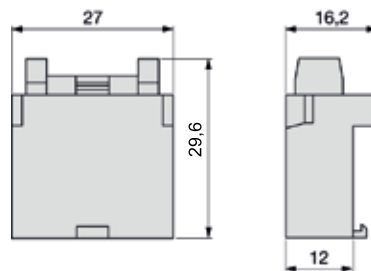


UNI F630

# UNIVAL® HOLDER



IMG.	DESCRIPTION	WAY	MATERIAL	COLOUR	P/N BOX	INNER BOX PCS	MOQ	P/N BULK	MOQ
1	HOLDER WITH TERMINALS	1	PA66	■ Black	0100351	50	250	0300351	1250
	HOLDER WITH SECONDARY LOCK WITHOUT TERMINALS	1	PA66	■ Black				0300354	1000
	HOLDER WITH TERMINALS AND CABLES	1	PA66	■ Black	0100350		25		
2	COVER		PC	□ Clear	0100359	25	250	0300359	500
3	SECONDARY LOCK		PA66	■ Yellow				0300357	250
	KIT WITH COVER, TERMINALS, FIXING PLATE AND EXTRACTOR				0100353 (Blister)	1	20		



### CONNECTIONS AND FIXINGS



0300352

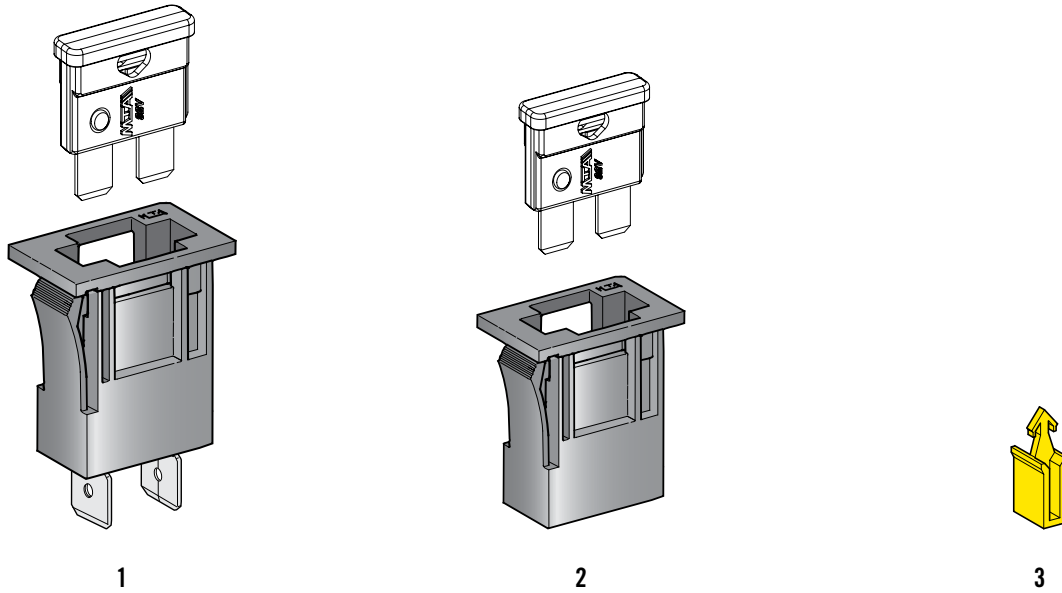


UNI F630

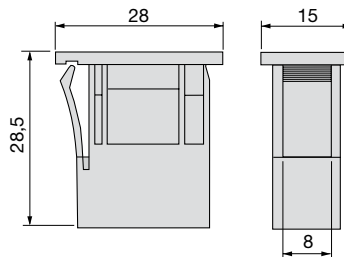


UNI F630

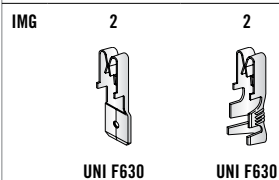
# UNIVAL® INSERTABLE HOLDER



IMG	DESCRIPTION	WAY	MATERIAL	COLOUR	P/N BULK	MOQ
1	HOLDER WITH TERMINALS	1	PA66 GF25	Black	0300330	1000
2	HOLDER WITHOUT TERMINALS	1	PA66 GF25	Black	0300331	1000
3	SECONDARYLOCK		PA66	Yellow	0300357	250



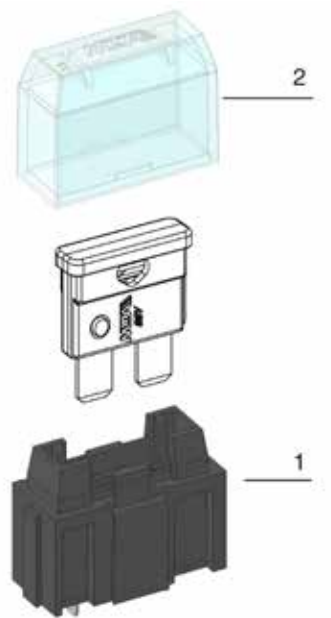
## CONNECTIONS AND FIXINGS



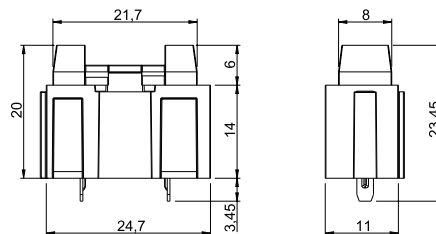
UNI F630

UNI F630

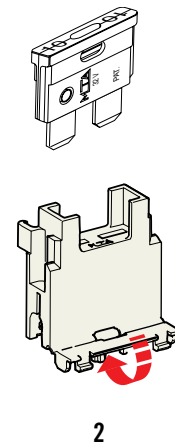
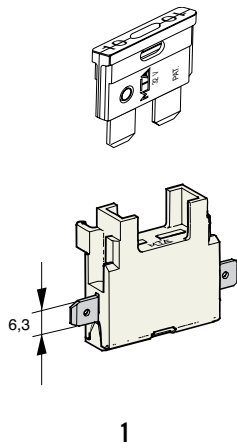
# UNIVAL® PCB HOLDER



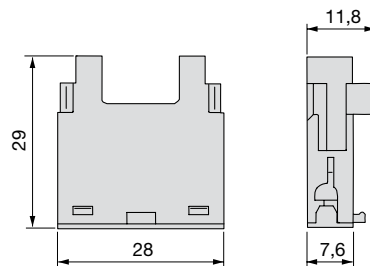
IMG	DESCRIPTION	WAY	MATERIAL	COLOUR	P/N BOX	INNER BOX PCS	MOQ	P/N BULK	MOQ
1	HOLDER	1	PA66 GF30	■ Black	0100420		5	0300420	1000
2	COVER	1	PC	□ Natural	0100359	25	250	0300359	500



# UNIVAL® HOLDER

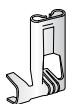


IMG	DESCRIPTION	MATERIAL	P/N BULK	MOQ
1	IN LINE FUSEHOLDER WITH TERMINALS	PA66	0300341	1000
2	IN LINE FUSEHOLDER WITHOUT TERMINALS	PA66	0300342	2500



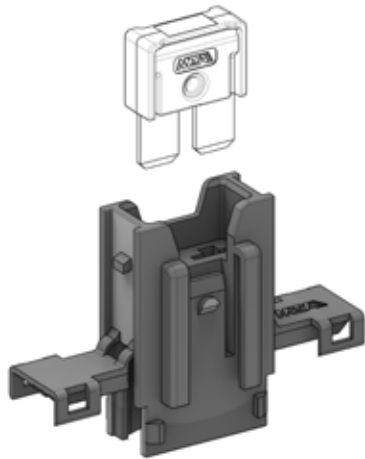
## CONNECTIONS AND FIXINGS

IMG 2



FASTON F630  
FLAG

# MAXICOMPACT® HOLDER

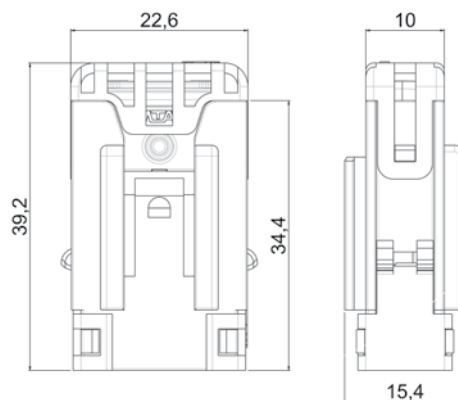


1



2

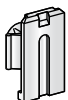
IMG	DESCRIPTION	WAY	MATERIAL	COLOUR	P/N BOX	MOQ
1	HOLDER	1	PA66	■ Black	0101881	40
2	COVER	1	PA66	■ Black	0101882	50



## CONNECTIONS AND FIXINGS

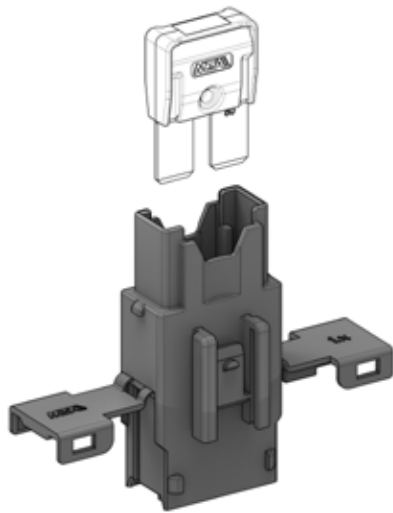


F630E



0300395  
0300398

# M8COMPACT® HOLDER

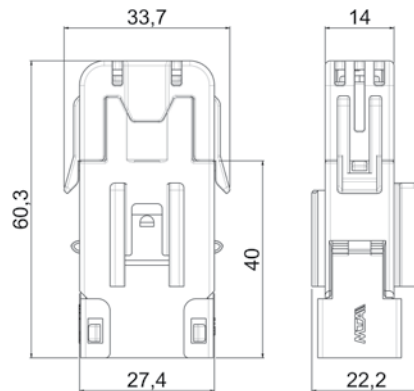


1



2

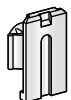
IMG	DESCRIPTION	WAY	MATERIAL	COLOUR	P/N BOX	MOQ
1	HOLDER	1	PA66	■ Black	0101883	50
2	COVER	1	PA66	■ Black	0101884	50



**CONNECTIONS AND FIXINGS**

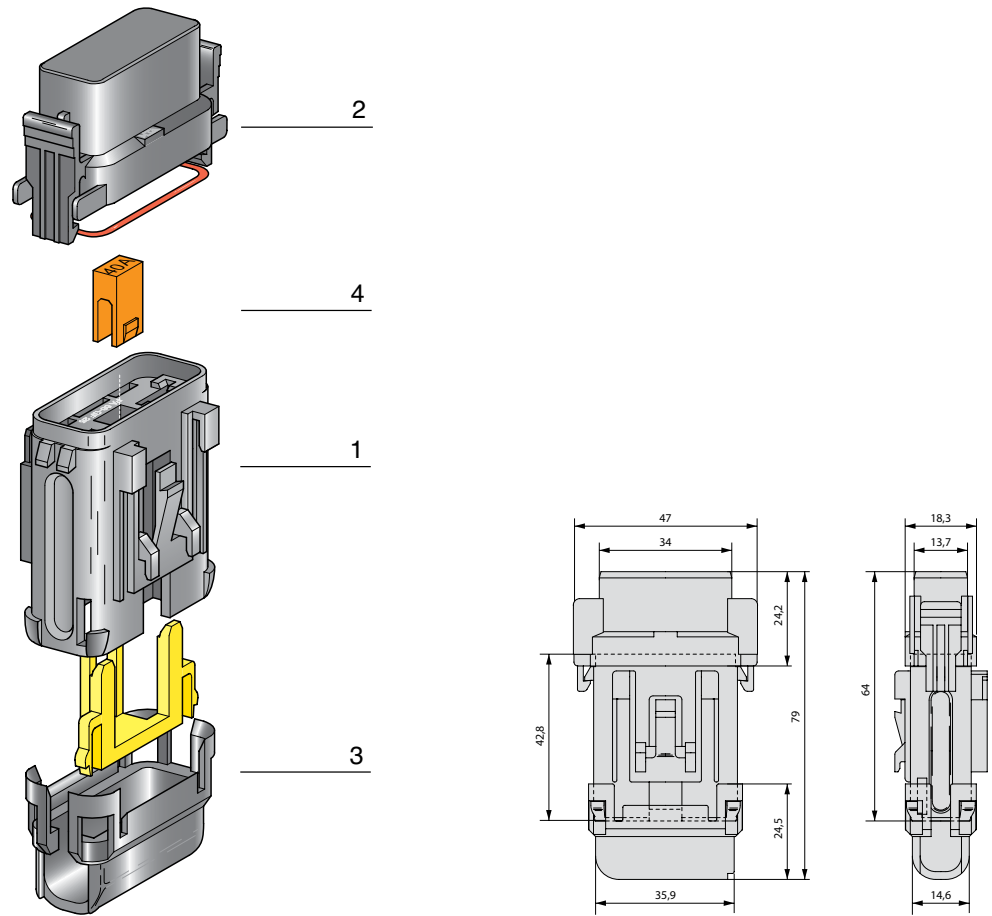


F800  
WITH CLIP



0300395  
0300398

# SPLASH PROOF MAXIVAL® HOLDER



IMG	DESCRIPTION	WAY	MATERIAL	COLOUR	P/N BULK	MOQ	P/N BULK	MOQ
1	HOLDER + SECONDARYLOCK	1	PA66 GF25 PA66 GF30	■ Black ■ Yellow	0321000	250	0301000	800
2	COVER WITH GASKET		PA66	■ Black	0321210	500	0301210	1500
3	BOTTOM COVER		PA66	■ Black	0321200	250	0301200	1500
4	IDENTIFICATION INSERT 30 AMP		PBT GF20	■ Green			0301030	1500
	IDENTIFICATION INSERT 40 AMP		PBT GF20	■ Orange			0301040	1500
	IDENTIFICATION INSERT 50 AMP		PBT GF20	■ Red			0301050	1500
	IDENTIFICATION INSERT 60 AMP		PBT GF20	■ Blue			0301060	1500
	IDENTIFICATION INSERT 70 AMP		PBT GF20	■ Beige			0301070	1500
	IDENTIFICATION INSERT 80 AMP		PBT GF20	■ Natural			0301080	1500
	KIT WITH TERMINALS				0101005	50		

## CONNECTIONS AND FIXINGS



0300949



0300856



0300392



0300440

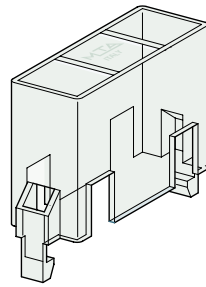


0300430



F800

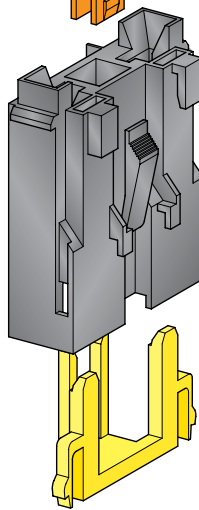
# MAXIVAL® HOLDER



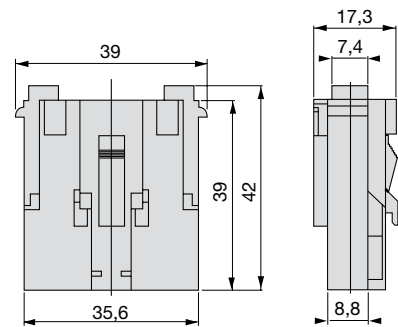
2



3



1



IMG	DESCRIPTION	WAY	MATERIAL	COLOUR	P/N BOX	MOQ	P/N BULK	MOQ
1	HOLDER + SECONDARYLOCK	1	PA66 GF25 PA66 GF30	■ Black ■ Yellow	0100390	50	0300390	1200
2	COVER		PC	□ Natural	0100391	10	0300391	650
3	IDENTIFICATION INSERT 30 AMP		PBT GF20	■ Green			0301030	1500
	IDENTIFICATION INSERT 40 AMP		PBT GF20	■ Orange			0301040	1500
	IDENTIFICATION INSERT 50 AMP		PBT GF20	■ Red			0301050	1500
	IDENTIFICATION INSERT 60 AMP		PBT GF20	■ Blue			0301060	1500
	IDENTIFICATION INSERT 70 AMP		PBT GF20	■ Beige			0301070	1500
	IDENTIFICATION INSERT 80 AM		PBT GF20	□ Natural			0301080	1500
	KIT WITH TERMINALS				3001001	25		

## CONNECTIONS AND FIXINGS



0300949



0300856



0300392



0300440

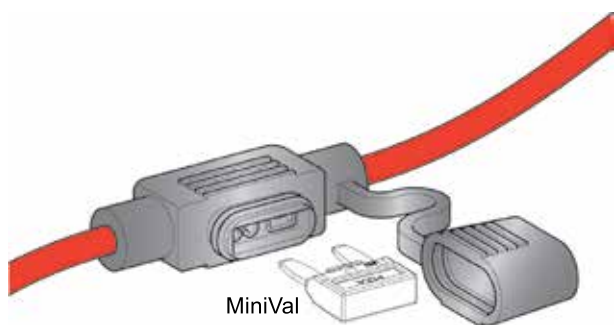


0300430



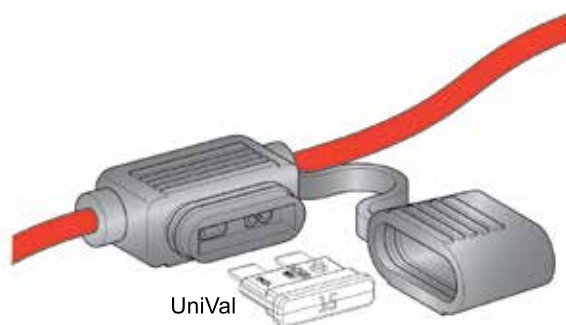
F800

# WATERPROOF FUSE HOLDER



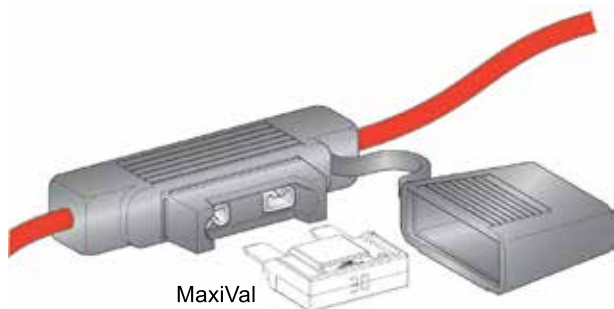
MiniVal

1



UniVal

2

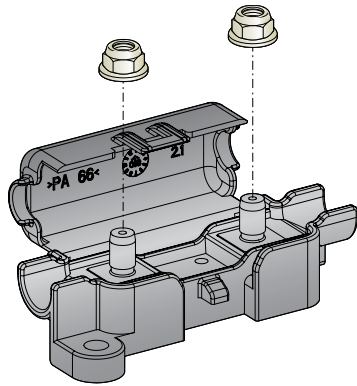


MaxiVal

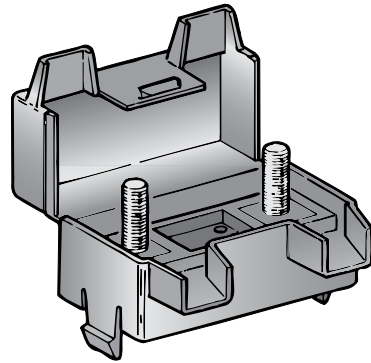
3

IMG	DESCRIPTION	P/N BOX	MOQ	P/N BULK	MOQ
1	WP MINIVAL FUSEHOLDER WITH CABLE 4 mm <sup>2</sup> L = 140 mm	0100335	5		
2	WP UNIVAL FUSEHOLDER WITH CABLE 4 mm <sup>2</sup> L = 138mm	0100336	5	0300336	500
3	WP MAXIVAL FUSEHOLDER WITH CABLE 8 mm <sup>2</sup> L = 132 mm	0100337	1		

# MIDIVAL® HOLDER

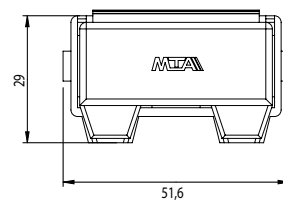
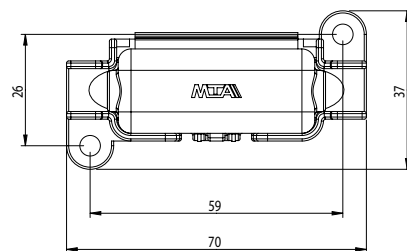
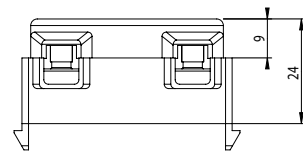
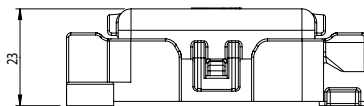


1



2

IMG	DESCRIPTION	WAY	MATERIAL	COLOUR	P/N BOX	MOQ	P/N BULK	MOQ
1	MIDIVAL HOLDER BOLT TYPE WITH NUTS	1	PA66	■ Black	0100360	75	0300360	200
2	MIDIVAL HOLDER CLIP TYPE WITHOUT NUTS	1	PA66	■ Black			0300370	200
	MIDIVAL HOLDER CLIP TYPE WITH NUTS	1	PA66	■ Black	0100370	5		



## CONNECTIONS AND FIXINGS

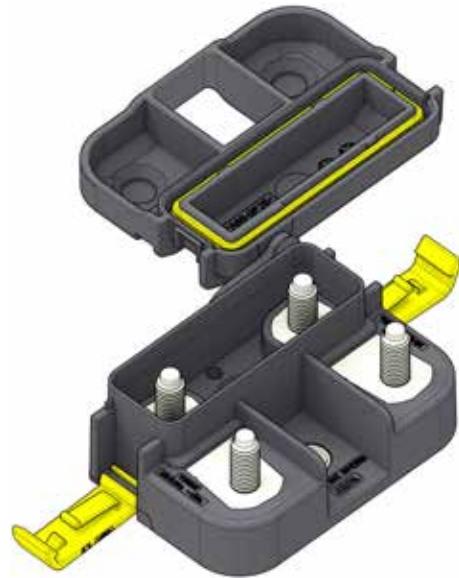


MIDI

# WATERPROOF MEGAVAL® HOLDER

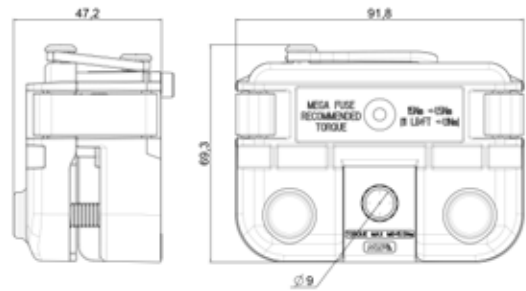
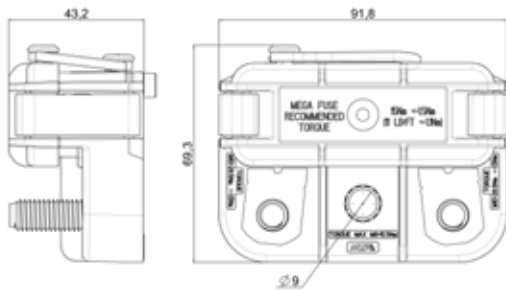


1



2

IMG	DESCRIPTION	WAY	MATERIAL	COLOUR	P/N BULK	MOQ
1	WP MEGAVAL HOLDER	1	PA66 GF25	■ Black	0301502	24
2	WP MEGAVAL HOLDER WITH EXTENDED COVER	1	PA66 GF25	■ Black	0301152	24

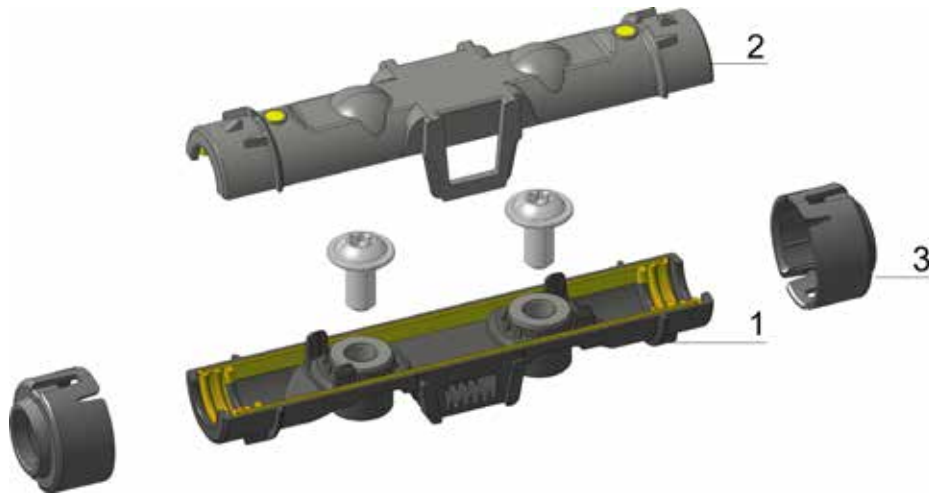


CONNECTIONS AND FIXINGS

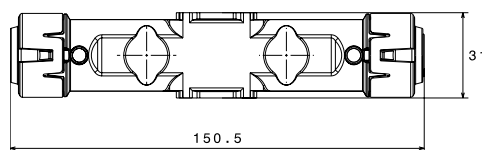
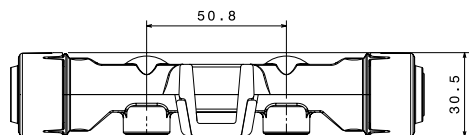


TUBULAR

# WATERPROOF MEGAVAL® HOLDER



IMG	DESCRIPTION	WAY	MATERIAL	COLOUR	P/N	MOQ
1	WP IN LINE MEGAVAL HOLDER	1	PA66 GF 30 + TPE	■ Black	0301751	TBD
2	COVER	1	PA66 GF 30 + TPE	■ Black	0301750	TBD
3	TUBE RETAINER		PA6-GF35	■ Black	0301752	TBD
4	KIT WITH SCREWS AND RETAINERS				0100010	TBD



CONNECTIONS AND FIXINGS



1600068  
1600069  
1607511



CSA  
0301754  
0301753



0301755-59

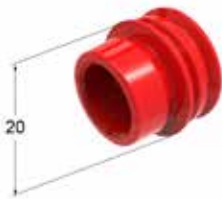
# CSA & GASKETS



1



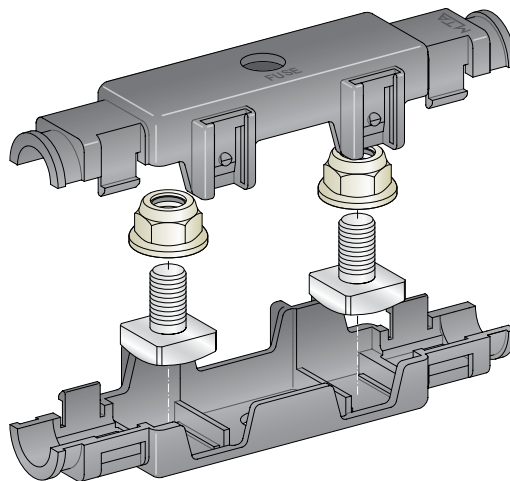
2



3

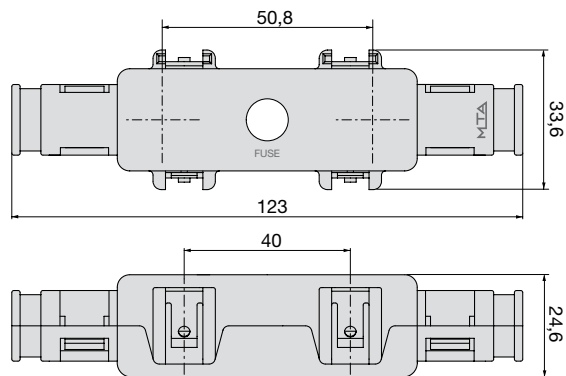
IMG	DESCRIPTION	MATERIAL	COLOUR	P/N	MOQ
1	CSA M6	PA6-GF35	BLACK	0301754	TBD
2	CSA	PA6-GF35	BLACK	0301753	TBD
3	GASKET	SILICON	YELLOW	0301755	TBD
	GASKET	SILICON	RED	0301756	TBD
	GASKET	SILICON	PINK	0301757	TBD
	GASKET	SILICON	GREEN	0301758	TBD
	GASKET	SILICON	VIOLET	0301759	TBD

# MEGAVAL® HOLDER

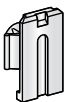


1

IMG	DESCRIPTION	WAY	MATERIAL	COLOUR	P/N	INNER BOX PCS	MOQ
1	MEGAVAL HOLDER	1	PA66 GF30	■ Black	0300380		50
	KIT WITH TERMINALS, SCREWS AND NUTS				0100380	1	10



CONNECTIONS AND FIXINGS

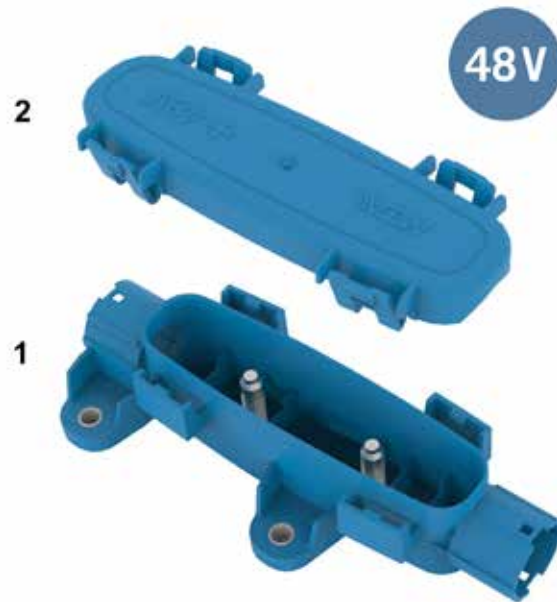


0300395  
0300398

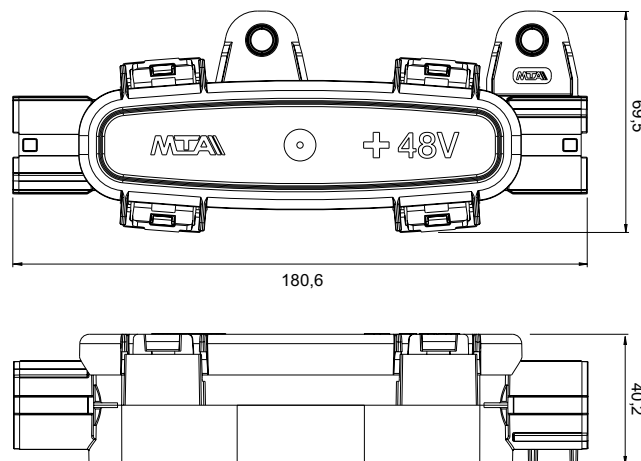


MEGA L34

# WATERPROOF MEGAVAL® HOLDER 48 V



IMG	DESCRIPTION	WAY	MATERIAL	COLOUR	P/N	MOQ
1	MEGAVAL HOLDER 48 V WATERPROOF	1	PA6 - GF25	Blue	0300070	120
2	COVER	1	PA6 - GF25	Blue	0300071	104



CONNECTIONS AND FIXINGS



1607511

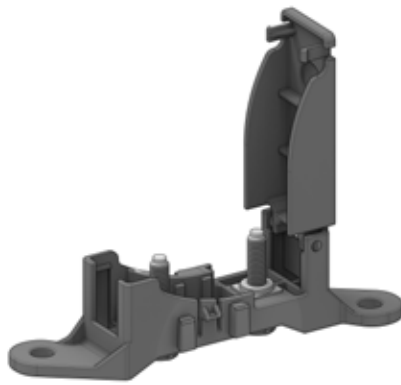


0300558



0301199

# MIDIVAL®-MEGACOMPACT®-MEGAVAL® HOLDER



1



2

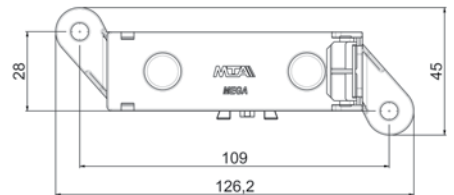
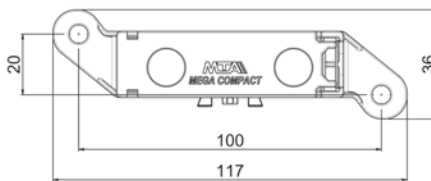
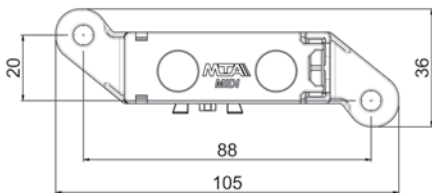
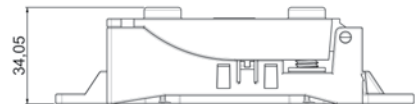
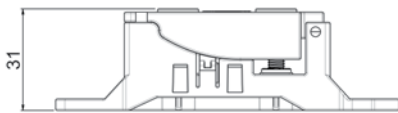


3



EXAMPLE OF A MULTIPLE FUSE BLOCK

IMG	DESCRIPTION	WAY	MATERIAL	COLOUR	P/N BOX	MOQ	P/N BULK	MOQ
1	MIDIVAL HOLDER	1	PA66 GF30	■ Black	0101499	20	0301499	200
2	MEGACOMPACT HOLDER	1	PA66 GF30	■ Black	0101497	20	0301497	150
3	MEGAVAL HOLDER	1	PA66 GF30	■ Black	0101498	20	0301498	100



CONNECTIONS AND FIXINGS

IMG	1	2	2+3	3	3
	MIDI M5	RING STD137	TUBULAR	MEGA M8 POLA	MEGA M8 POLB

# MIDIVAL®-MEGAVAL® HOLDER

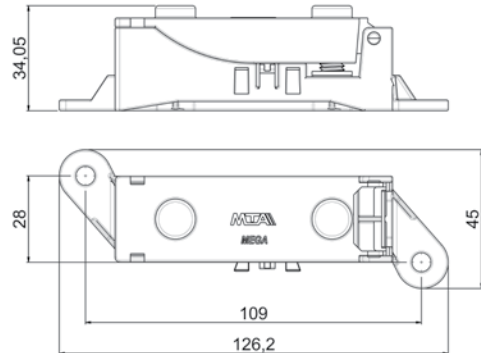
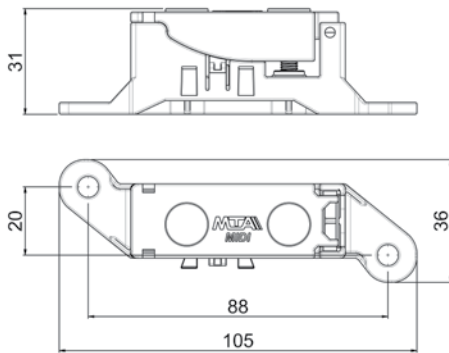


1



2

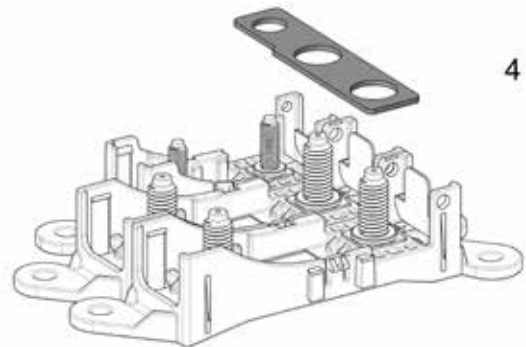
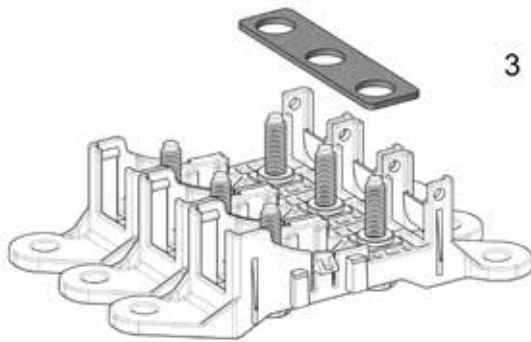
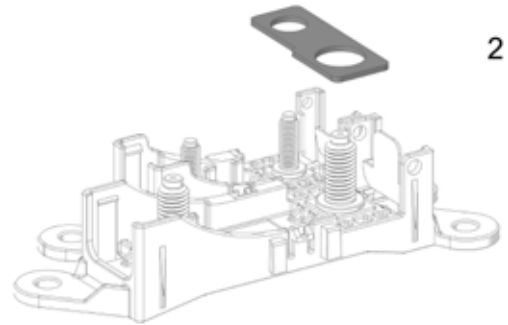
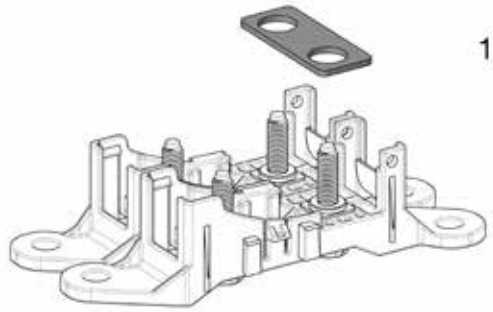
IMG	DESCRIPTION	WAY	MATERIAL	COLOUR	P/N BOX	MOQ	P/N BULK	MOQ
1	SINGLE STUD MIDIVAL HOLDER	1	PA66 GF30	■ Black	0101224	20	0301224	200
2	SINGLE STUD MEGAVAL HOLDER	1	PA66 GF30	■ Black	0101223	20	0301223	100



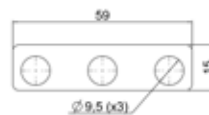
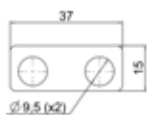
### CONNECTIONS AND FIXINGS

IMG	1	1+2	2	2
	MIDI M5	TUBULAR	MEGA M8 POLA	MEGA M8 POLB

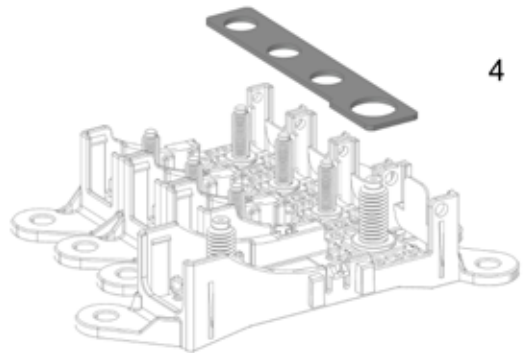
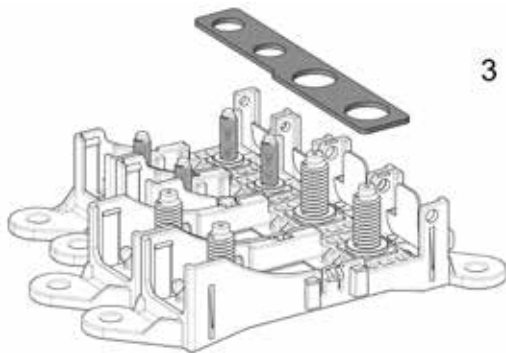
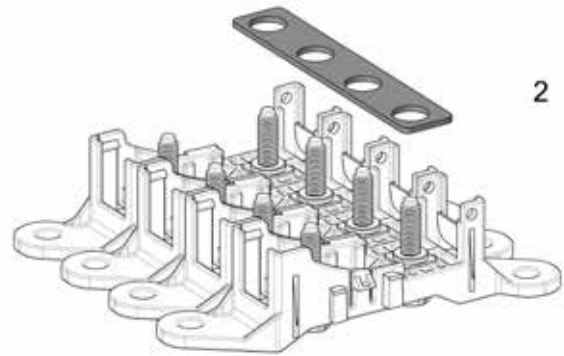
# BUS-BAR



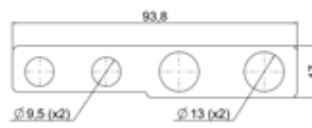
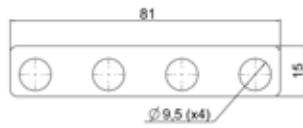
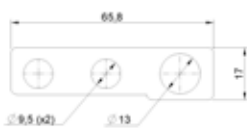
IMG	DESCRIPTION	MATERIAL	MATERIAL THICKNESS mm	P/N BULK	MOQ
1	2 WAY BUS-BAR 55 2 MIDIVAL	Cu-Sn	1,5	0301509	200
2	2 WAY BUS-BAR 58 1 MIDIVAL / 1 MEGAVAL	Cu-Sn	1,5	0301252	200
3	3 WAY BUS-BAR 555 3 MIDIVAL	Cu-Sn	1,5	0301508	100
4	3 WAY BUS-BAR 588 1 MIDIVAL /2 MEGAVAL	Cu-Sn	1,5	0301511	500



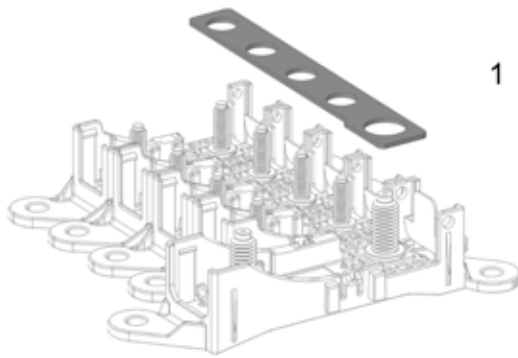
# BUS-BAR



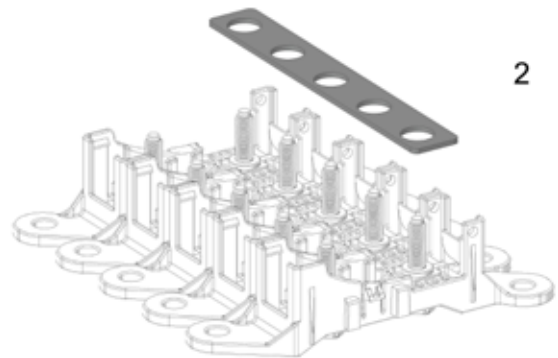
IMG	DESCRIPTION	MATERIAL	MATERIAL THICKNESS mm	P/N BULK	MOQ
1	3 WAY BUS-BAR 558 2 MIDIVAL /1 MEGAVAL	Cu-Sn	1,5	0301251	100
<b>NEW</b> 2	4 WAY BUS-BAR 5555 4 MIDIVAL	Cu-Sn	1,5	1600060	TBD
3	4 WAY BUS-BAR 5588 2 MIDIVAL /2 MEGAVAL	Cu-Sn	1,5	0301512	500
4	4 WAY BUS-BAR 5558 3 MIDIVAL /1 MEGAVAL	Cu-Sn	1,5	0301250	100



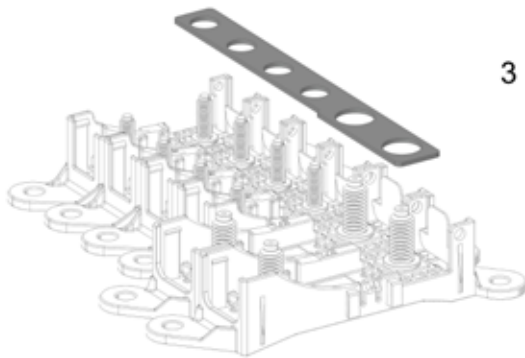
# BUS-BAR



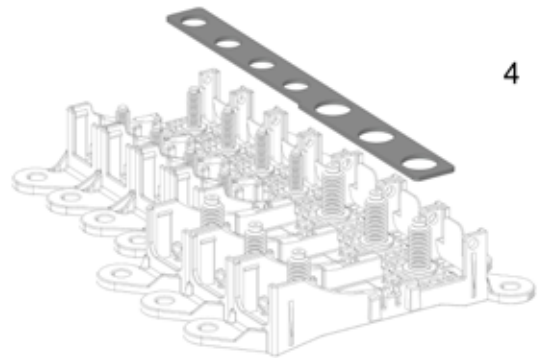
1



2

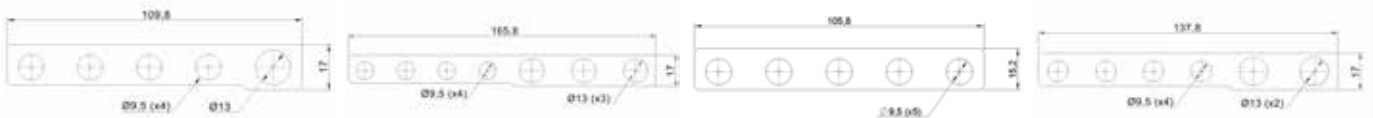


3

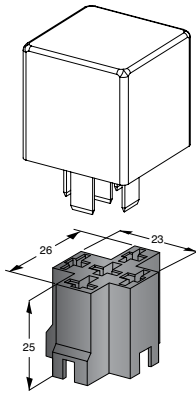


4

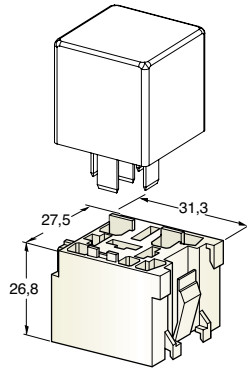
IMG	DESCRIPTION	MATERIAL	MATERIAL THICKNESS mm	P/N BULK	MOQ
1	5 WAY BUS-BAR 55558 4 MIDIVAL /1 MEGAVAL	Cu-Sn	1,5	0301249	100
2	5 WAY BUS-BAR 55555 5 MIDIVAL	Cu-Sn	1,5	0301227	100
3	6 WAY BUS-BAR 555588 4 MIDIVAL /2 MEGAVAL	Cu-Sn	1,5	0301225	100
4	7 WAY BUS-BAR 5555888 4 MIDIVAL /3 MEGAVAL	Cu-Sn	1,5	0301226	100



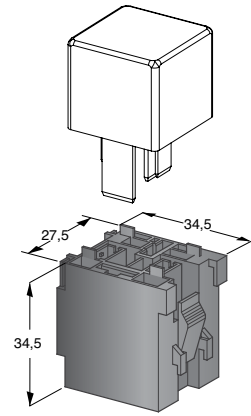
# RELAY HOLDER



1



2



3

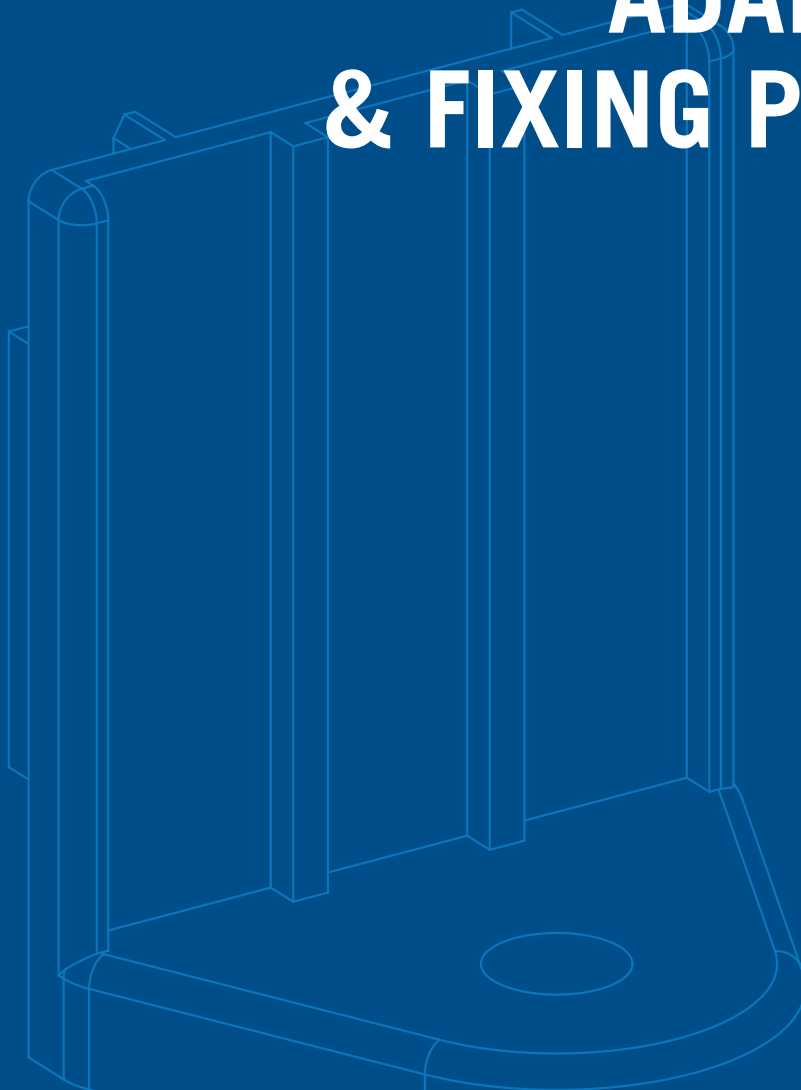
IMG	DESCRIPTION	MATERIAL	COLOUR	P/N BOX	MOQ
1	MINI RELAY HOLDER	PA	■ Black	4410246	50
2	MINI RELAY HOLDER	PA	□ Neutral	4410245	50
3	MAXI RELAY HOLDER	PA	■ Black	4410247	50

**CONNECTIONS AND FIXINGS**

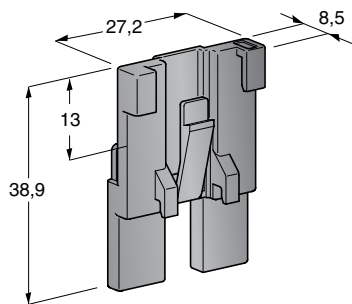
IMG	1	2+3	2+3	2+3	2	3	3
	F630	01.00392	01.00440	01.00430	F630 W/LOCK.NOTCH	ANTISF F630	FASTON F950 W/LOCK.NOTCH



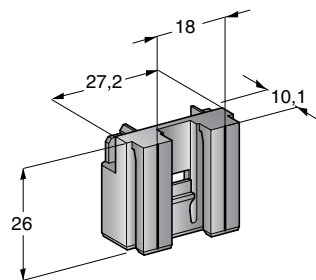
# ADAPTERS & FIXING PLATES



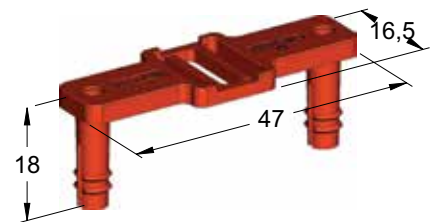
# ADAPTERS



1



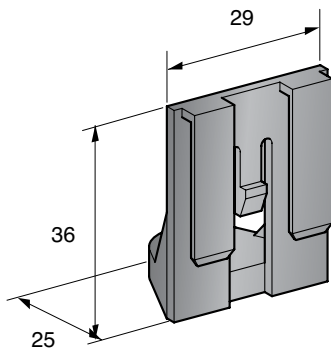
2



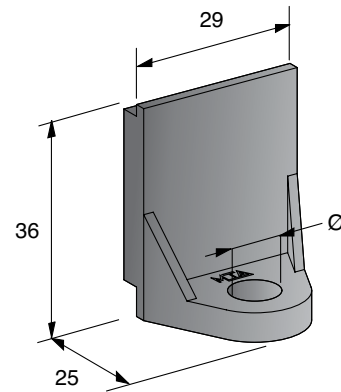
3

IMG	DESCRIPTION	MATERIAL	COLOUR	P/N BULK	MOQ
1	ADAPTER	PA66 GF25	■ Black	0300856	1000
2	ADAPTER	PA66 GF25	■ Black	0300949	1500
3	RETENTION BLOCK WITHOUT BOLTS	PP GF30 - HB	■ Red	9450168	5000

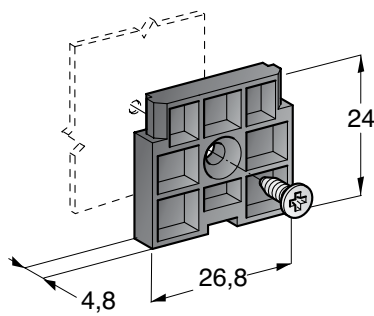
# FIXING PLATES



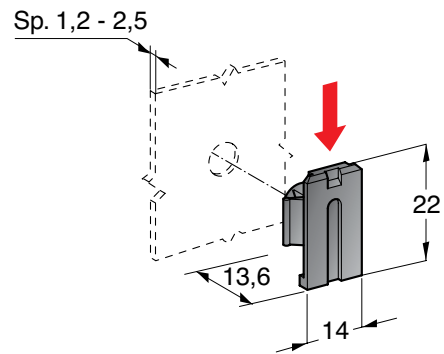
1



2



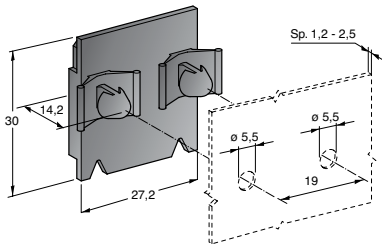
3



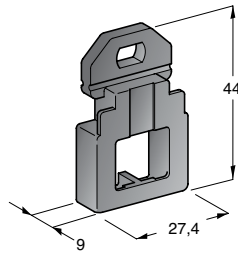
4

IMG	DESCRIPTION	Ø mm	MATERIAL	COLOUR	P/N BULK	MOQ
1	MOUNTING BRACKET MALE	8,5	PA66	■ Black	0300690	100
2	MOUNTING BRACKET FEMALE	8,5	PA66	■ Black	0300691	100
3	FIXING PLATE WITH 1 SCREW	3,6	PP GF30	■ Black	0300352	1000
4	FIXING PLATE BY PRESSURE	6,5	PA66	■ Black	0300395	1000
	FIXING PLATE BY PRESSURE	8,0	PA66	■ Black	0300398	1000

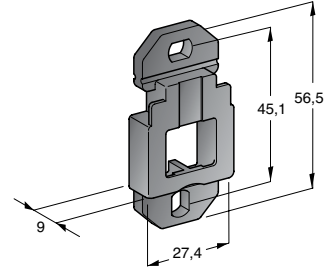
# FIXING PLATES



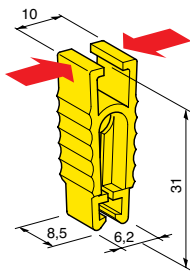
1



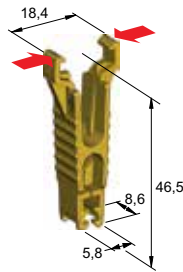
2



3



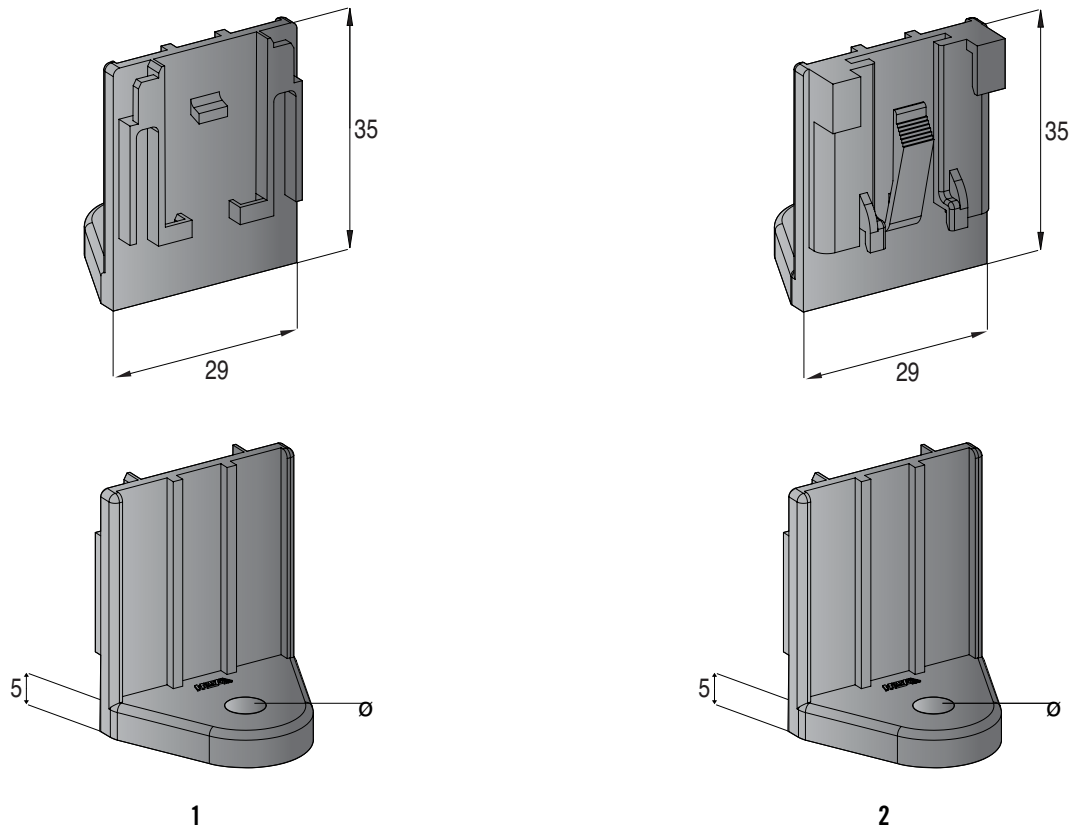
4



5

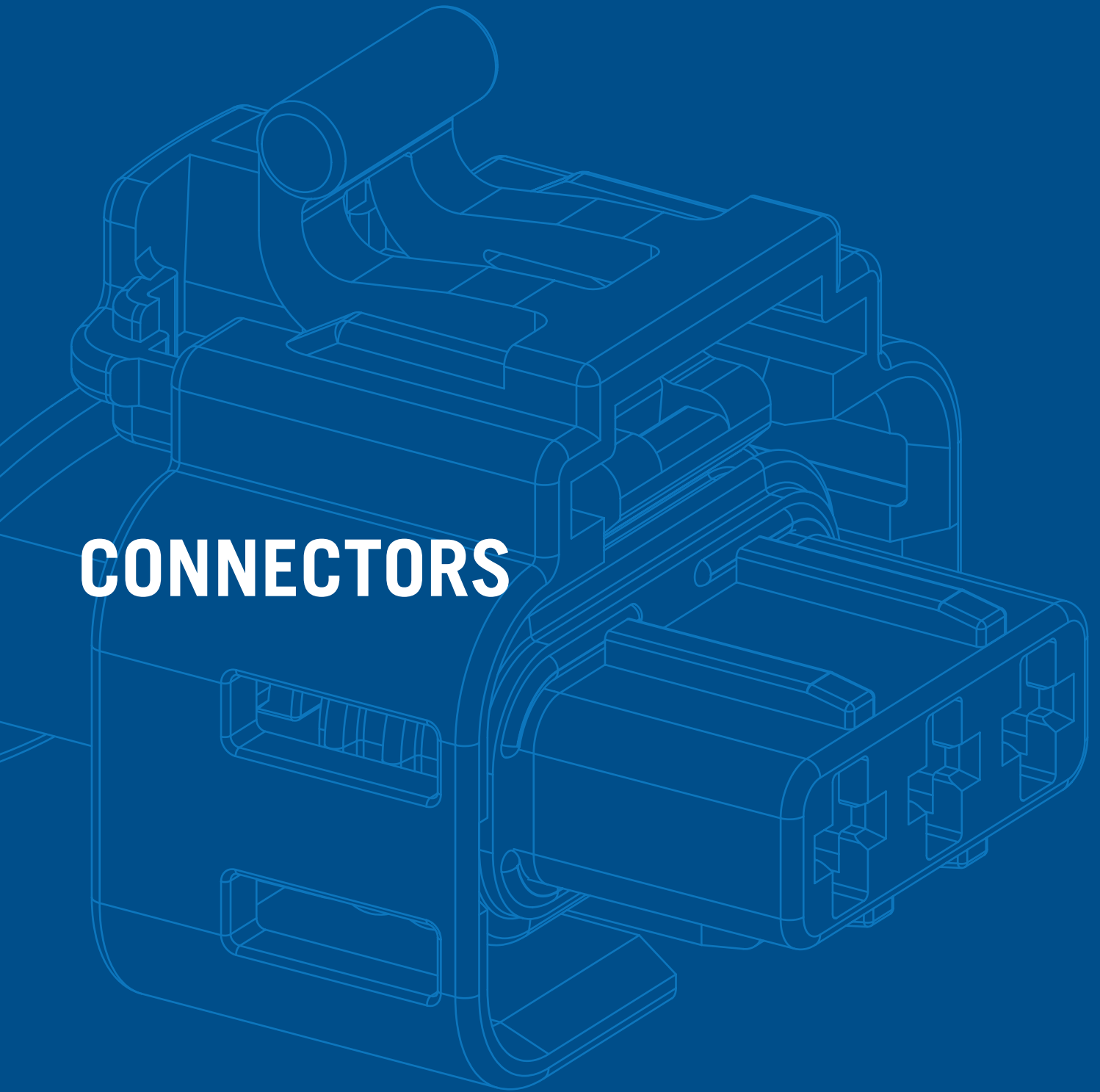
IMG	DESCRIPTION	SCREW Ø mm	MATERIAL	COLOUR	P/N BOX	INNER BOX PCS	MOQ	P/N BULK	MOQ
1	FIXING PLATE	5,5	PA66	■ Black	0100392	10	120	0300392	2000
2	FIXING PLATE	M 5	PA66	■ Black	0100430	10	100	0300430	1000
3	FIXING PLATE	M 5	PA66	■ Black	0100440	10	100	0300440	250
4	EXTRACTOR FOR BLADE FUSE		PP	■ Yellow	0100358	25	600	0300358	3000
5	EXTRACTOR FOR BLADE FUSE		PP	■ Yellow				0300353	2000

# FIXING PLATES

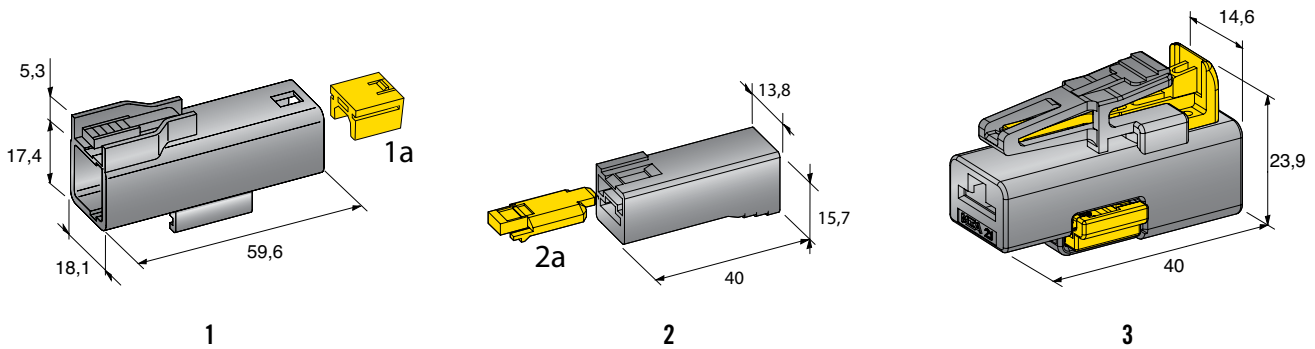


IMG	DESCRIPTION	∅ mm	MATERIAL	COLOUR	P/N BULK	MOQ
1	MOUNTING BRACKET FEMALE	5,5	PA66	■ Black	0300698	100
2	MOUNTING BRACKET MALE	5,5	PA66	■ Black	0300697	100

# CONNECTORS



# 1-WAY POWER

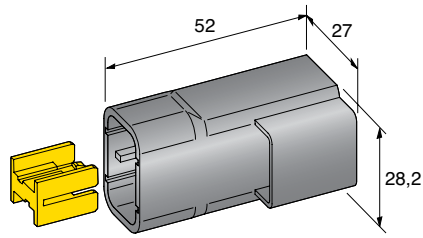


IMG	DESCRIPTION	WAY	MATERIAL	COLOUR	P/N BULK	MOQ
1	MALE HOLDER	1	PA66 GF25	Black	4540205	1200
2	FEMALE HOLDER	1	PA66 GF25	Black	4540105	2400
3	FEMALE HOLDER WITH SECONDARY LOCK AND CPA	1	PA66 GF30	Black	4540150	700
1a	SECONDARY LOCK		PA66	Yellow	4545200	5000
2a	SECONDARY LOCK		PA66	Yellow	4545100	10000

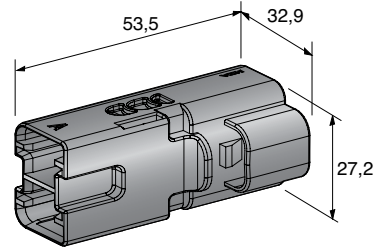
## CONNECTIONS AND FIXINGS

IMG	1	2+3	1
	M800	F800	0300395 0300398

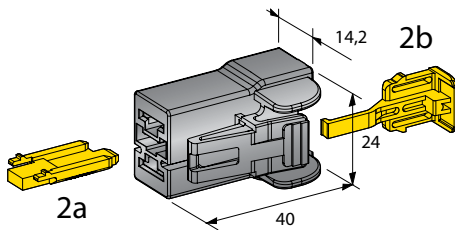
# 2-WAY POWER



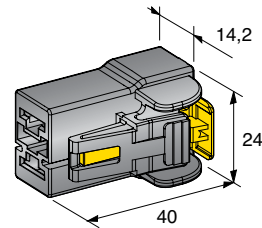
1



2



3



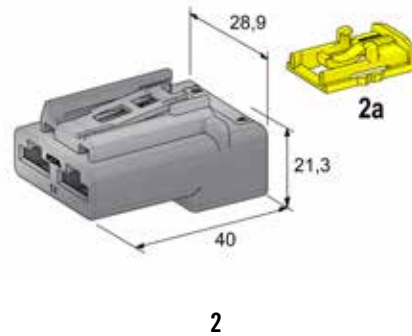
4

IMG	DESCRIPTION	WAY	MATERIAL	COLOUR	P/N BULK	MOQ
1	MALE HOLDER	2	PA66 GF30	Black	4540405	600
	MALE HOLDER POLARIZED	2	PA66 GF30	Blue	4540410	600
	MALE HOLDER POLARIZED	2	PA66 GF30	Green	4540430	600
3	FEMALE HOLDER	2	PA66 GF30	Black	4540305	1200
	FEMALE HOLDER POLARIZED	2	PA66 GF30	Blue	4540315	1200
	FEMALE HOLDER POLARIZED	2	PA66 GF30	Grey	4540345	1200
	FEMALE HOLDER POLARIZED	2	PA66 GF30	Green	4540325	1200
4	FEMALE HOLDER POLARIZED WITH CPA	2	PA66 GF30	Blue	4540312	1200
1a	SECONDARY LOCK		PA66 GF30	Yellow	4545400	1200
2a	SECONDARY LOCK		PA66	Yellow	4545100	10000
2b	CPA		PA66 GF30	Yellow	4545300	2400

CONNECTIONS AND FIXINGS

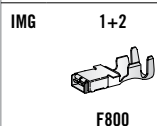
IMG	1+2	3+4	1+2
	M800	F800	0300395 0300398

## 2-WAY POWER

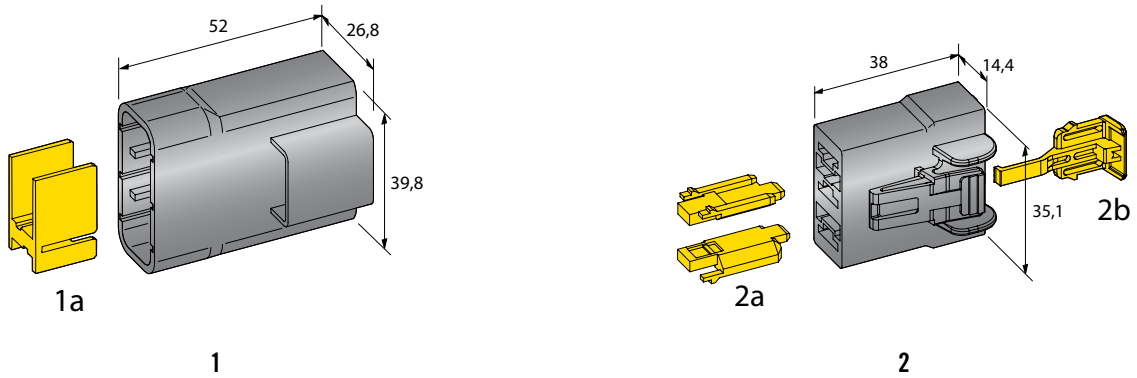


IMG	DESCRIPTION	WAY	MATERIAL	COLOUR	P/N BULK	MOQ
1	FEMALE HOLDER POLARIZED	2	PA66 GF13	Blue	4540500	600
	FEMALE HOLDER POLARIZED	2	PA66 GF13	Green	4540501	600
1a	CPA		PA66 GF30	Yellow	4545300	2400
2	FEMALE HOLDER POLARIZED	2	PA66 GF13 HB	Blue	4540502	1200
	FEMALE HOLDER POLARIZED	2	PA66 GF13 HB	Green	4540503	1200
2a	CPA		PA66 GF30	Yellow	4540303	8000

### CONNECTIONS AND FIXINGS

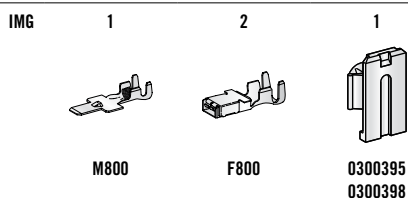


# 3-WAY POWER

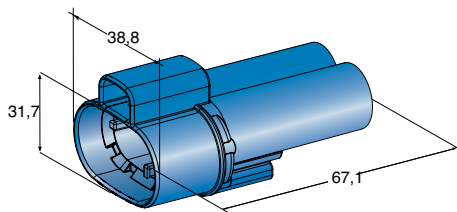


IMG	DESCRIPTION	WAY	MATERIAL	COLOUR	P/N BULK	MOQ
1	MALE HOLDER	3	PA66 GF25	Black	4540805	600
2	FEMALE HOLDER	3	PA66 GF30	Black	4540705	1200
	FEMALE HOLDER POLARIZED	3	PA66 GF30	Blue	4540715	1200
	FEMALE HOLDER POLARIZED	3	PA66 GF30	Grey	4540735	1200
1a	SECONDARY LOCK		PA66 GF30	Yellow	4545800	1200
2a	SECONDARY LOCK		PA66	Yellow	4545100	10000
2b	CPA		PA66 GF30	Yellow	4545300	2400

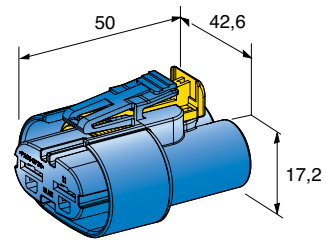
CONNECTIONS AND FIXINGS



## 2-WAY POWER WATERPROOF



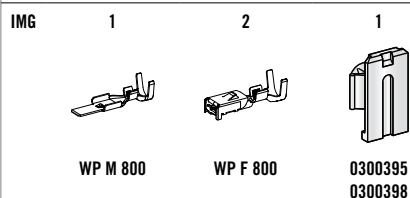
1



2

IMG	DESCRIPTION	WAY	MATERIAL	COLOUR	P/N BULK	MOQ
1	MALE HOLDER	2	PA66 GF30	Blue	4540210	600
	MALE HOLDER	2	PA66 GF30	Green	4540211	600
	MALE HOLDER	2	PA66 GF30	Black	4540212	600
2	FEMALE HOLDER WITH GASKET AND CPA	2	PA66 GF30	Blue	4540110	500
	FEMALE HOLDER WITH GASKET AND CPA	2	PA66 GF30	Green	4540111	500
	FEMALE HOLDER WITH GASKET AND CPA	2	PA66 GF30	Black	4540112	500

### CONNECTIONS AND FIXINGS



# 2, 3, 4-WAY POWER WATERPROOF

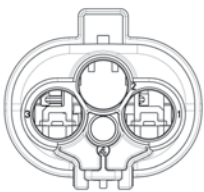


1

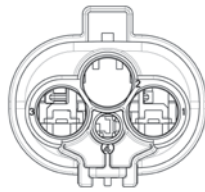


2

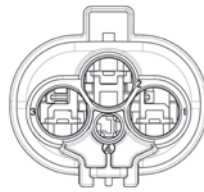
IMG	DESCRIPTION	WAY	MATERIAL	COLOUR	P/N BULK	MOQ
1	MALE HOLDER	2	PA66 GF30	■ Black	4551900	500
	MALE HOLDER	3	PA66 GF30	■ Black	4540817	500
	MALE HOLDER	4	PA66 GF30	■ Black	4551899	500
2	FEMALE HOLDER WITH GASKET	3	PA66 GF30	■ Black	4540816	500
	FEMALE HOLDER WITH GASKET	4	PA66 GF30	■ Black	4551897	500



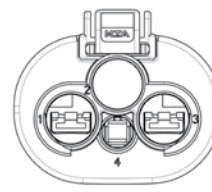
2 WAY



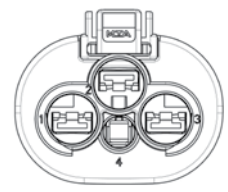
3 WAY



4 WAY





3 WAY

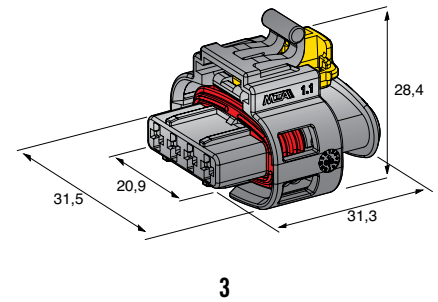
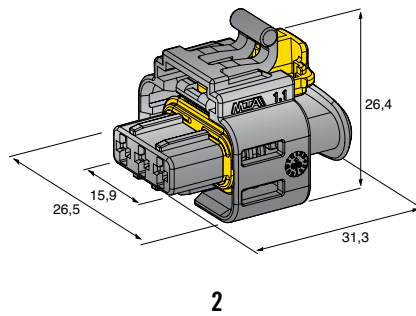
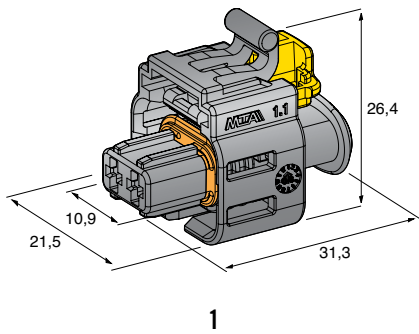


4 WAY

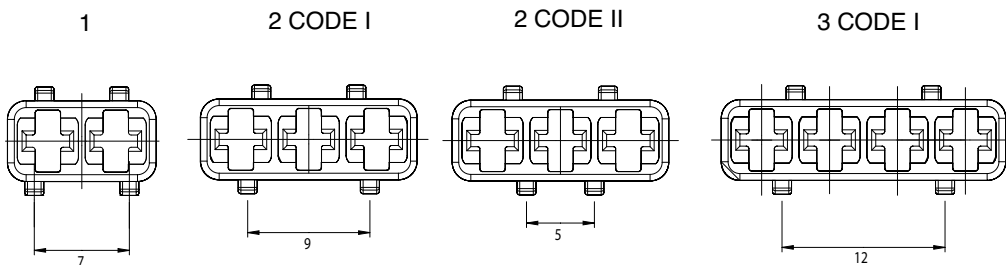
**CONNECTIONS AND FIXINGS**

 <b>M630 WP</b>	 <b>JPT WP M280</b>	 <b>F630E WP</b>	 <b>F280 WP</b>
---	---	--	--

# HP6 2,3 & 4-WAY



IMG	DESCRIPTION	WAY	MATERIAL	COLOUR	P/N BULK	MOQ
1	FEMALE HOLDER	2	PA66 GF30	■ Black	4510840	2500
2	FEMALE HOLDER CODE I	3	PA66 GF30	■ Black	4510881	2000
	FEMALE HOLDER CODE II	3	PA66 GF30	■ Black	4510880	2000
3	FEMALE HOLDER CODE I	4	PA66 GF30	■ Black	4510891	1600



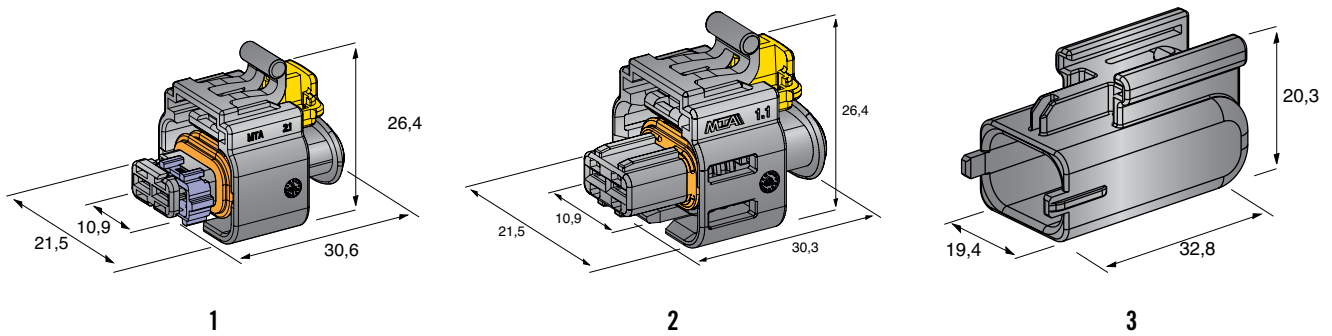
## CONNECTIONS AND FIXINGS

IMG 1+2+3

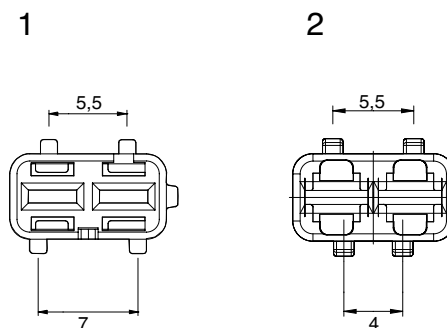


HP6 280

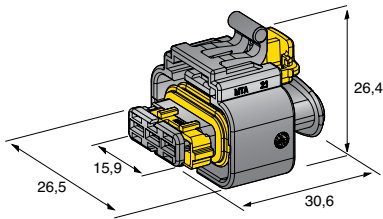
# C 280 2-WAY



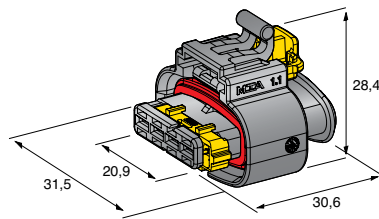
IMG	DESCRIPTION	WAY	MATERIAL	COLOUR	S.LOCK COLOUR	P/N BULK	MOQ
1	F. HOLDER FOR BDK & BSK TERMINALS	2	PA66 GF30	■ Black	■ Violet	4510801	2500
2	F. HOLDER FOR JPT TERMINALS	2	PA66 GF30	■ Black		4510830	2500
3	CAP FOR CONNECTORS 4510801/830	2	PA66 GF30	■ Black		4510802	2000



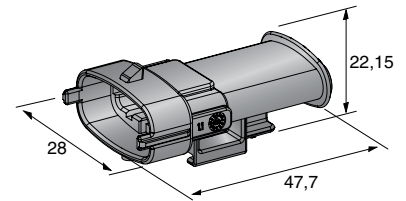
## C 280 3&amp;4-WAY



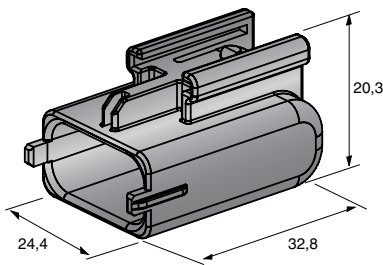
1



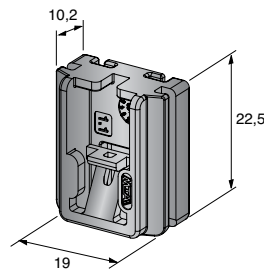
2



3



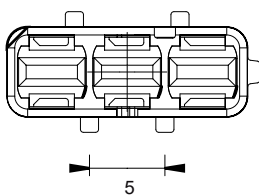
4



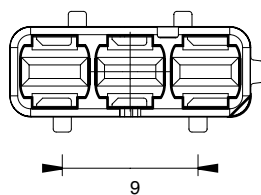
5

IMG	DESCRIPTION	WAY	MATERIAL	COLOUR	S.LOCK COLOUR	P/N BULK	MOQ
1	F. HOLDER FOR BDK & BSK TERMINALS	3	PA66 GF30	■ Black	■ Yellow	4510810	2000
	F. HOLDER FOR BDK & BSK TERMINALS	3	PA66 GF30	■ Black	■ Violet	4510811	2000
2	F. HOLDER FOR BDK & BSK TERMINALS	4	PA66 GF30	■ Black	■ Yellow	4510820	1600
	F. HOLDER FOR BDK & BSK TERMINALS	4	PA66 GF30	■ Black	■ Violet	4510821	1600
3	MALE HOLDER FOR 4510821	4	PA66 GF30	■ Black		4510921	2000
4	CAP FOR CONNECTORS 4510810/811	3	PA66 GF30	■ Black		4510812	2800
5	ADAPTER FOR 4510921	3	PA66 GF30	■ Black		0300489	2500

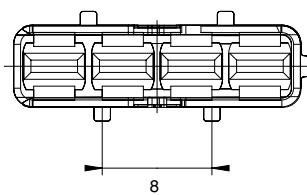
1 YELLOW



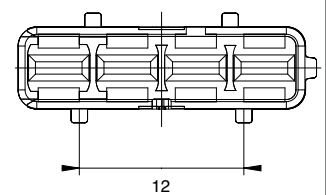
1 VIOLET



2 YELLOW



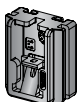
2 VIOLET



## CONNECTIONS AND FIXINGS

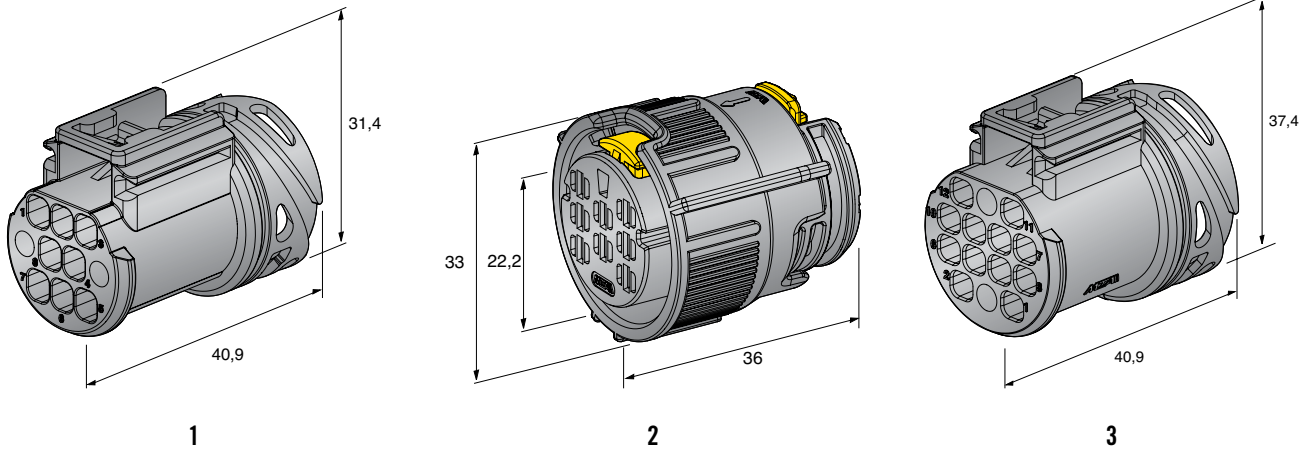
IMG

3



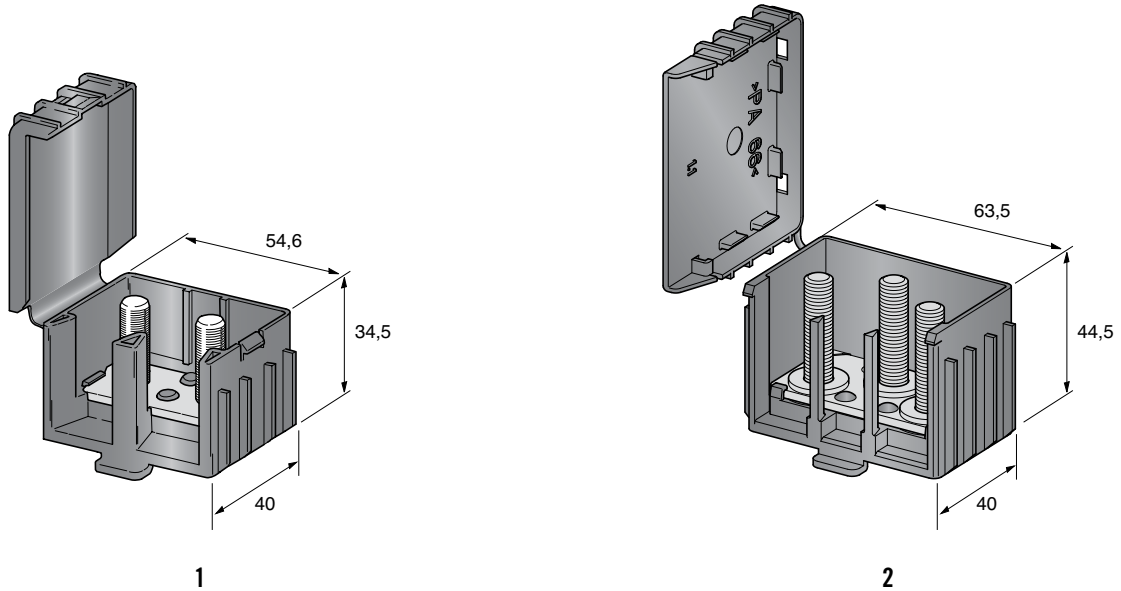
0300489

# RC 280 8 AND 12-WAY



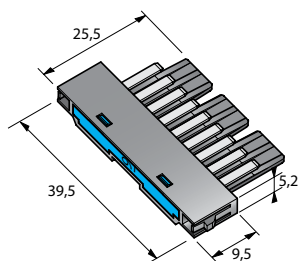
IMG	DESCRIPTION	WAY	MATERIAL	COLOUR	P/N BULK	MOQ
1	MALE HOLDER FOR TABS 2,8 x 0,8	8	PA66 GF30	■ Black	4510970	500
2	FEMALE HOLDER FOR BDK & BSK TERMINALS	8	PA66 GF30	■ Black	4510870	120
3	MALE HOLDER FOR TABS 2,8 x 0,8	12	PA66 GF30	■ Black	4510975	350

## JOINT

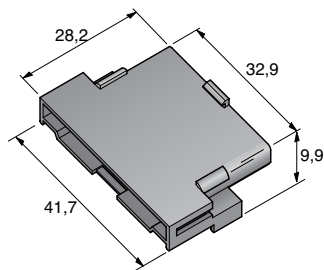


IMG	DESCRIPTION	SCREW	WAY	MATERIAL	COLOUR	P/N BULK	MOQ
1	BRANCH KNOT M 88	M 88	2	PA66	■ Black	4541100	100
2	BRANCH KNOT M 888	M 888	3	PA66	■ Black	4541200	100
	BRANCH KNOT M 666	M 666	3	PA66	■ Black	4541202	100
	BRANCH KNOT M 555	M 555	3	PA66	■ Black	4541201	100

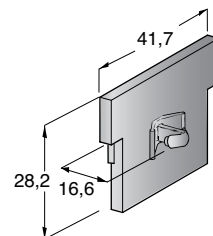
# JOINT 9-WAY AND 18-WAY



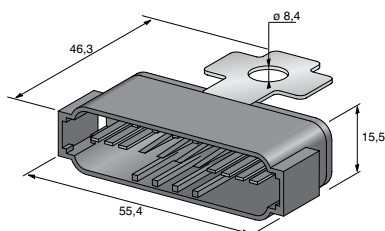
1



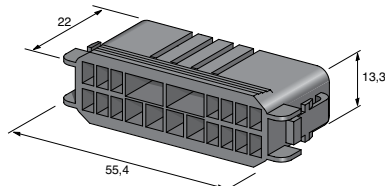
2



3



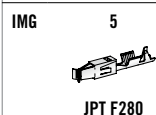
4



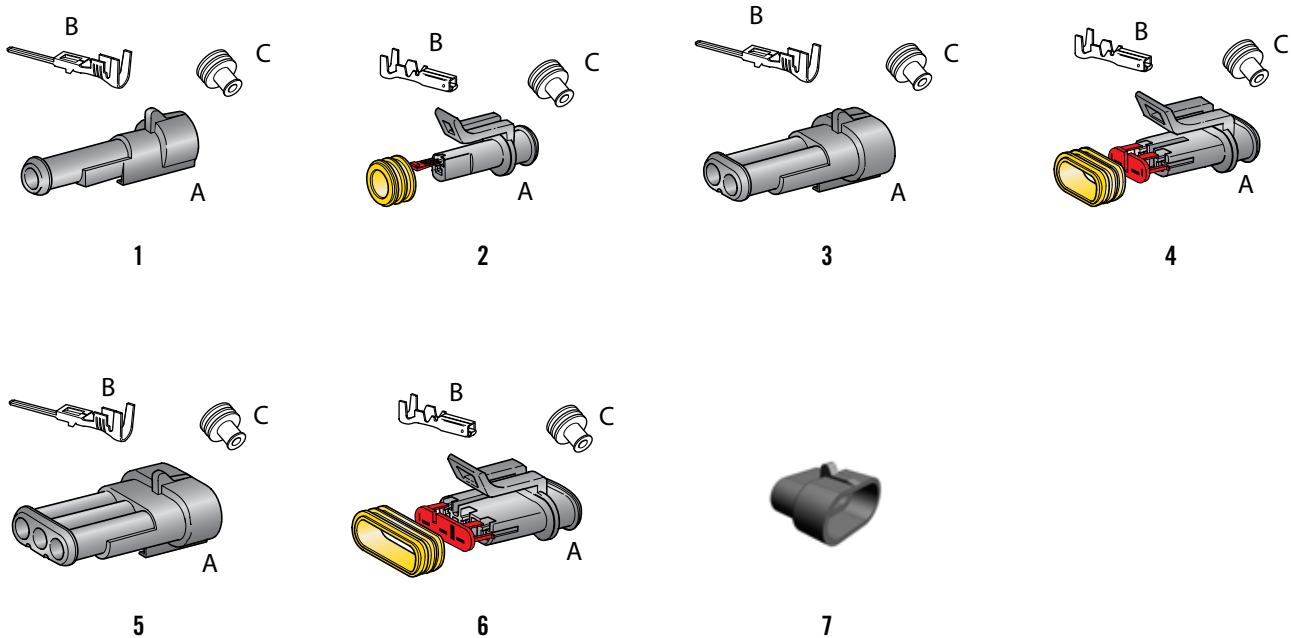
5

IMG	DESCRIPTION	WAY	MATERIAL	COLOUR	COVER COLOUR	P/N BULK	MOQ
1	MALE HOLDER	9	PA66 GF13	■ Black	■ Blue	4551610	2500
	MALE HOLDER	6+3	PA66 GF13	■ Black	■ Yellow	4551611	2500
	MALE HOLDER	5+4	PA66 GF13	■ Black	■ Red	4551612	2500
	MALE HOLDER	3+3+3	PA66 GF13	■ Black	■ Green	4551613	2500
2	FEMALE HOLDER	9	PBT	■ Black		4551605	2500
3	FIXING PLATE		PA66	■ Black		0300397	1000
4	EARTH MALE HOLDER	18	PA66 GF30	■ Black		4510125	300
5	FEMALE HOLDER	18	PA66 GF30	■ Black		4510120	1500

CONNECTIONS AND FIXINGS



# SUPERSEAL 1,5

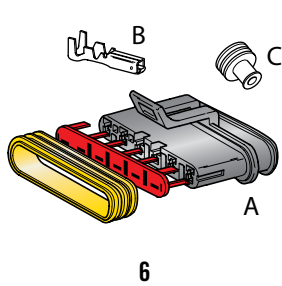
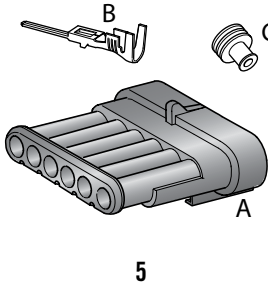
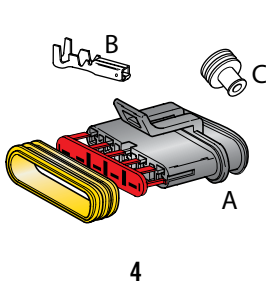
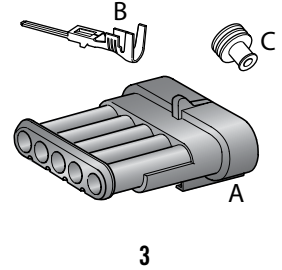
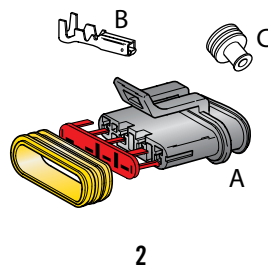
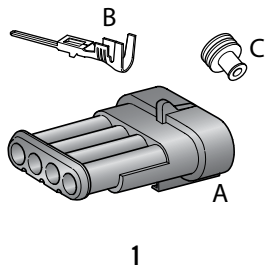


IMG	DESCRIPTION	WAY	MATERIAL	COLOUR	P/N BOX	MOQ
1	S-SEAL 1,5 MALE HOLDER	1	PA 66	■ Black	4423610	10
	KIT A+B+C	1	PA 66		3050123	1
2	S-SEAL 1,5 FEMALE HOLDER	1	PA 66	■ Black	4423620	10
	KIT A+B+C	1	PA 66		3050124	1
3	S-SEAL 1,5 MALE HOLDER	2	PA 66	■ Black	4423630	10
	KIT A+B+C	2	PA 66		3050125	1
4	S-SEAL 1,5 FEMALE HOLDER	2	PA 66	■ Black	4423640	10
	KIT A+B+C	2	PA 66		3050126	1
5	S-SEAL 1,5 MALE HOLDER	3	PA 66	■ Black	4423650	10
	KIT A+B+C	3	PA 66		3050127	1
6	S-SEAL 1,5 FEMALE HOLDER	3	PA 66	■ Black	4423660	10
	KIT A+B+C	3	PA 66		3050128	1
7	CAVITY PLUG FOR 3-WAY FEMALE HOLDER 4423650	3	PA 66	■ Black	9450300	2000

## CONNECTIONS AND FIXINGS

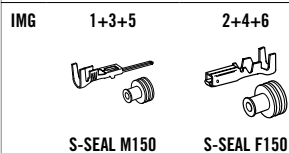
IMG	1+3+5	2+4+6
	S-SEAL M150	S-SEAL F150

# SUPERSEAL 1,5

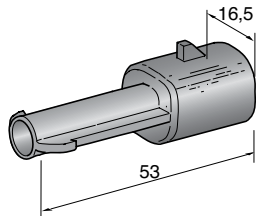


IMG	DESCRIPTION	WAY	MATERIAL	COLOUR	P/N BOX	MOQ
1	S-SEAL 1,5 MALE HOLDER	4	PA 66	■ Black	4423670	10
	KIT A+B+C	4	PA 66		3050129	1
2	S-SEAL 1,5 FEMALE HOLDER	4	PA 66	■ Black	4423680	10
	KIT A+B+C	4	PA 66		3050130	1
3	S-SEAL 1,5 MALE HOLDER	5	PA 66	■ Black	4423690	10
	KIT A+B+C	5	PA 66		3050131	1
4	S-SEAL 1,5 FEMALE HOLDER	5	PA 66	■ Black	4423700	10
	KIT A+B+C	5	PA 66		3050132	1
5	S-SEAL 1,5 MALE HOLDER	6	PA 66	■ Black	4423710	10
	KIT A+B+C	6	PA 66		3050133	1
6	S-SEAL 1,5 FEMALE HOLDER	6	PA 66	■ Black	4423720	10
	KIT A+B+C	6	PA 66		3050134	1

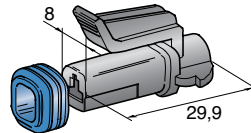
**CONNECTIONS AND FIXINGS**



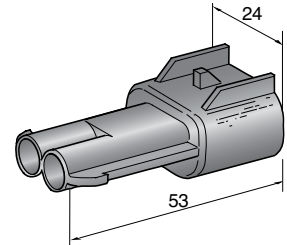
## SEAL 2,8 &amp; 6,3



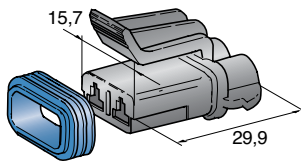
1



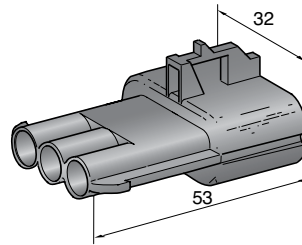
2



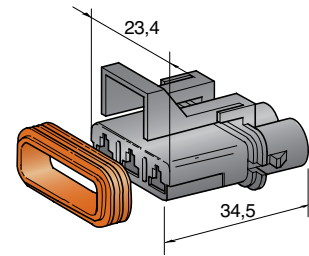
3



4



5



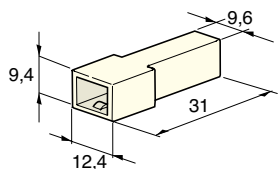
6

IMG	DESCRIPTION	WAY	MATERIAL	COLOUR	P/N BOX	MOQ
1	SEAL 2,8 MALE HOLDER	1	PA 66	■ Black	4423520	5
2	SEAL 2,8 FEMALE HOLDER	1	PA 66	■ Black	4423510	5
3	SEAL 2,8 MALE HOLDER	2	PA 66	■ Black	4423540	5
4	SEAL 2,8 FEMALE HOLDER	2	PA 66	■ Black	4423530	5
5	SEAL 2,8 MALE HOLDER	3	PA 66	■ Black	4423560	5
6	SEAL 2,8 FEMALE HOLDER	3	PA 66	■ Black	4423550	5

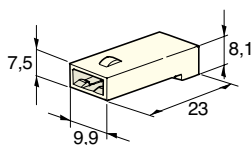
## CONNECTIONS AND FIXINGS

IMG	1+3+5	2+4+6
METRIPACK M280	METRIPACK F280	

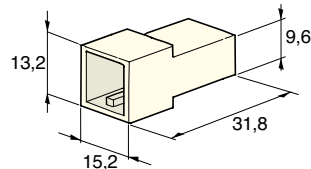
# MULTIPLE 6,3



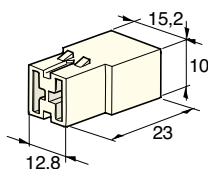
1



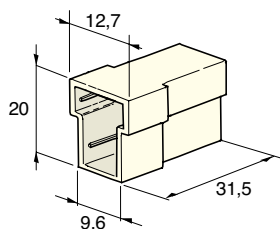
2



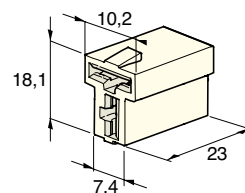
3



4



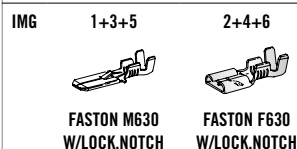
5



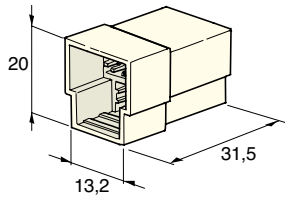
6

IMG	DESCRIPTION	WAY	MATERIAL	COLOUR	P/N BOX	MOQ	P/N BULK	MOQ
1	MALE HOLDER	1	PA	<input type="checkbox"/> Neutral	4410150	100	4510150	2500
2	FEMALE HOLDER	1	PA	<input type="checkbox"/> Neutral	4410160	100	4510160	2500
3	MALE HOLDER	2	PA	<input type="checkbox"/> Neutral	4410170	50	4510170	2500
4	FEMALE HOLDER	2	PA	<input type="checkbox"/> Neutral	4410180	50	4510180	2500
5	MALE HOLDER	2	PA	<input type="checkbox"/> Neutral	4410190	50	4510190	2500
6	FEMALE HOLDER	2	PA	<input type="checkbox"/> Neutral	4410200	50	4510200	2500

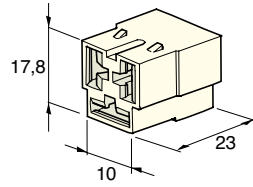
**CONNECTIONS AND FIXINGS**



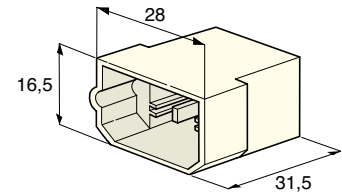
# MULTIPLE 6,3



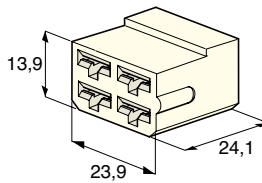
1



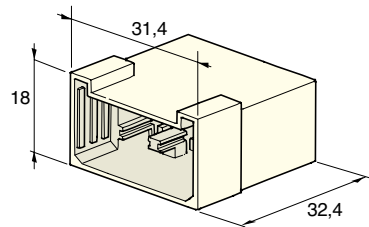
2



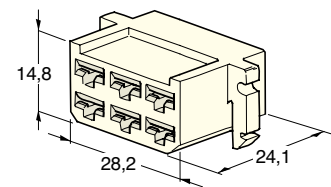
3



4



5



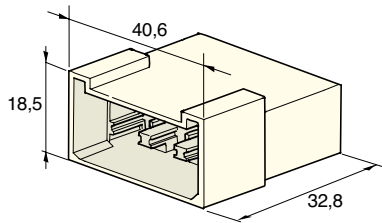
6

IMG	DESCRIPTION	WAY	MATERIAL	COLOUR	P/N BOX	MOQ	P/N BULK	MOQ
1	MALE HOLDER	3	PA	<input type="checkbox"/> Neutral	4410210	50	4510210	2500
2	FEMALE HOLDER	3	PA	<input type="checkbox"/> Neutral	4410220	50	4510220	2500
3	MALE HOLDER	4	PA	<input type="checkbox"/> Neutral	4410230	25	4510230	2500
4	FEMALE HOLDER	4	PA	<input type="checkbox"/> Neutral	4410240	25	4510240	2500
5	MALE HOLDER	6	PA	<input type="checkbox"/> Neutral	4410250	25	4510250	1000
6	FEMALE HOLDER	6	PA	<input type="checkbox"/> Neutral	4410260	25	4510260	1000

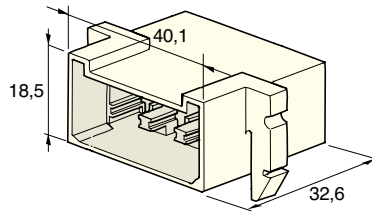
## CONNECTIONS AND FIXINGS

IMG	1+3+5	2+4+6
FASTON M630 W/LOCK.NOTCH	FASTON F630 W/LOCK.NOTCH	

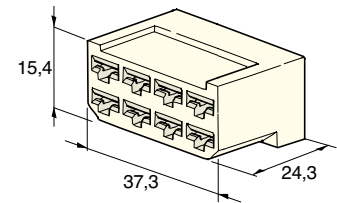
# MULTIPLE 6,3



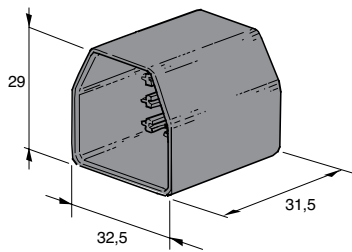
1



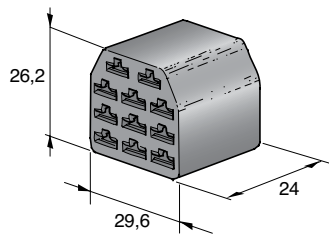
2



3



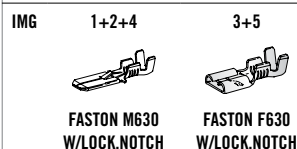
4



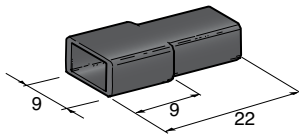
5

IMG	DESCRIPTION	WAY	MATERIAL	COLOUR	P/N BOX	MOQ	P/N BULK	MOQ
1	MALE HOLDER	8	PA	☐ Neutral	4410270	20	4510270	1000
2	MALE HOLDER	8	PA	☐ Neutral	4410290	10	4510290	1000
3	FEMALE HOLDER	8	PA	☐ Neutral	4410280	20	4510280	1000
4	MALE HOLDER	11	PA	■ Black	4410295	20	4510295	300
5	FEMALE HOLDER	11	PA	■ Black	4410296	20	4510296	500

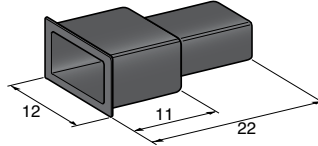
**CONNECTIONS AND FIXINGS**



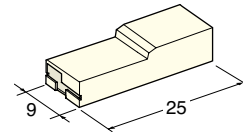
# TERMINAL COVERS



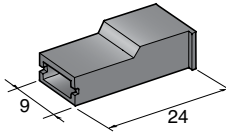
1



2



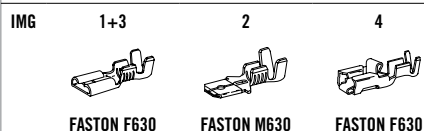
3



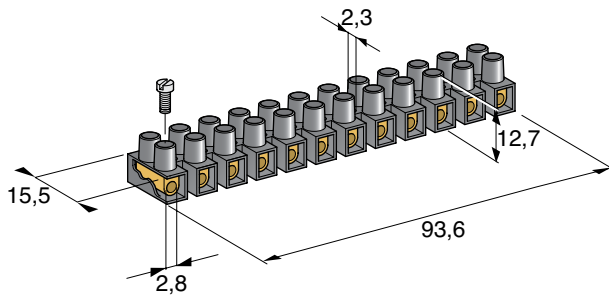
4

IMG	DESCRIPTION	MATERIAL	COLOUR	P/N BOX	MOQ
1	FEMALE 6,3 COVER	PE	■ Black	4410070	200
	FEMALE 6,3 COVER	PE	■ Yellow	4410072	200
	FEMALE 6,3 COVER	PE	■ Blue	4410073	200
	FEMALE 6,3 COVER	PE	■ Red	4410074	200
	FEMALE 6,3 COVER	PE	□ Neutral	4410076	200
2	MALE 6,3 COVER	PE	■ Black	4410080	200
	MALE 6,3 COVER	PE	■ Red	4410084	200
	MALE 6,3 COVER	PE	□ Neutral	4410086	200
3	FEMALE 6,3 COVER	PA	□ Neutral	4410077	200
4	FEMALE 6,3 COVER	PA	■ Black	4420800	50

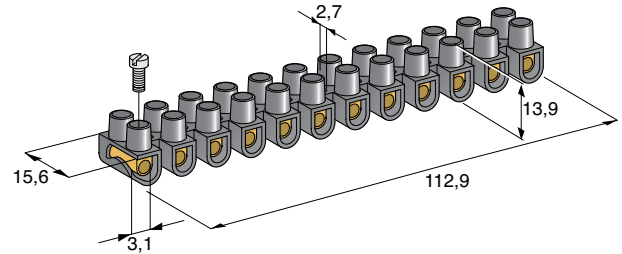
## CONNECTIONS AND FIXINGS



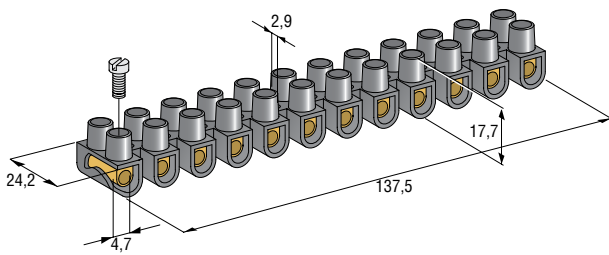
# CONNECTOR STRIPS



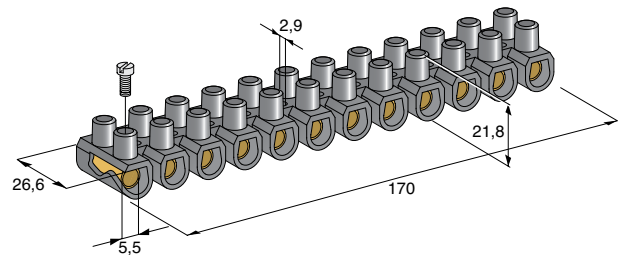
1



2



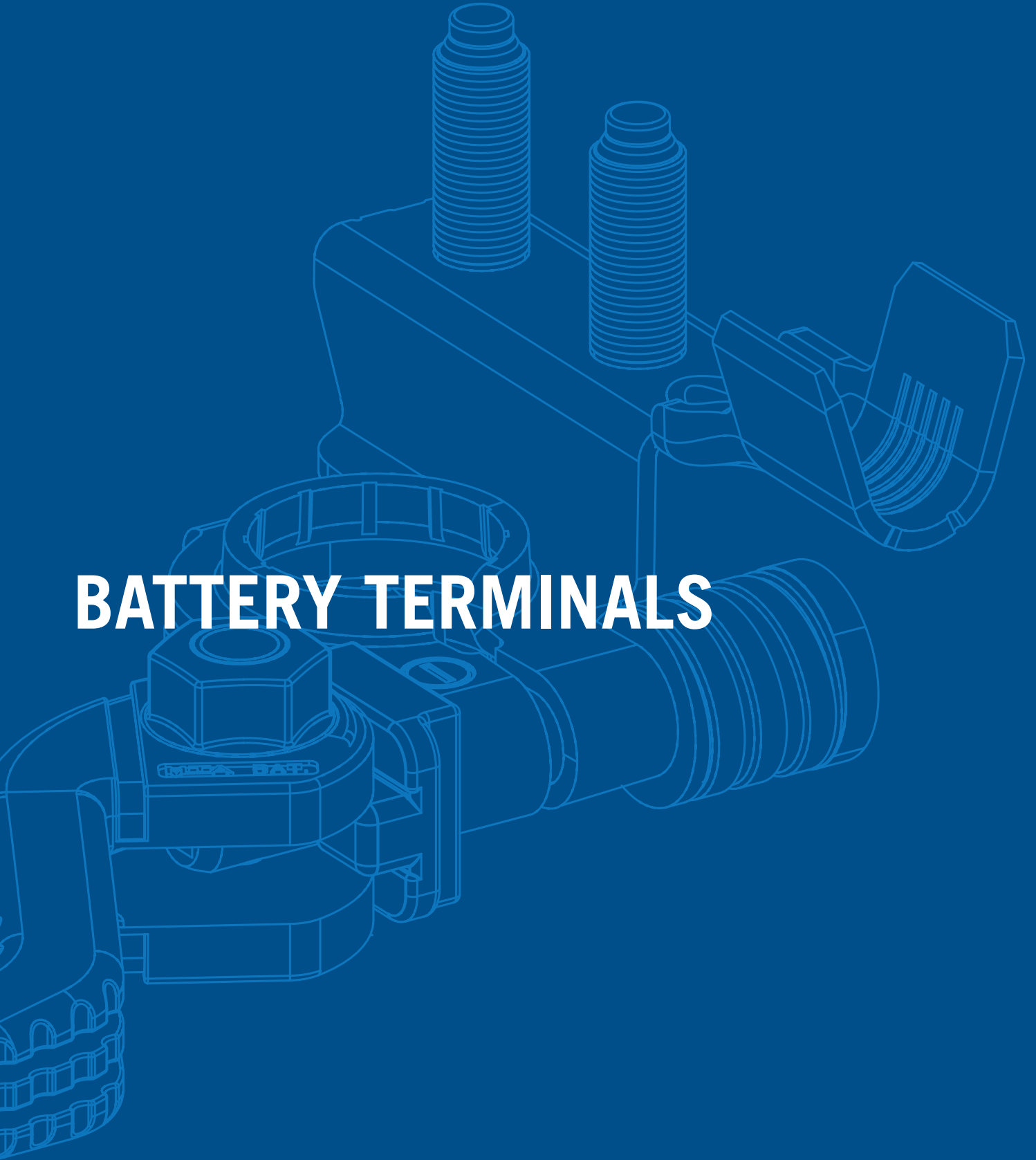
3



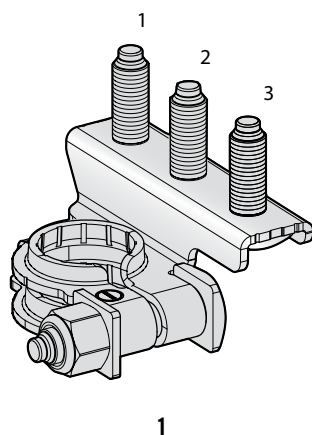
4

IMG	DESCRIPTION	WAY	MATERIAL	VOLT	In	OPERATION TEMP	CABLE SECTION mm <sup>2</sup>	P/N BOX	MOQ
1	CONNECTOR STRIP	12	PP Black	380	24A	85°C	2,5	4430100	10
2	CONNECTOR STRIP	12	PP Black	380	24A	85°C	6	4430110	10
3	CONNECTOR STRIP	12	PP Black	450	24A	85°C	12	4430120	10
4	CONNECTOR STRIP	12	PP Black	450	24A	85°C	16	4430130	10

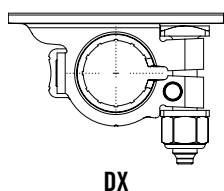
# BATTERY TERMINALS



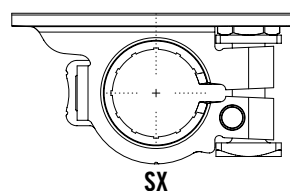
# DOUBLE RING



IMG	DESCRIPTION	POLARITY	SCREW 1	SCREW 2	SCREW 3	MATERIAL	MATERIAL THICKNESS mm	P/N BOX WITH NUTS	MOQ	P/N BULK	MOQ
1	M686DX	+	M6	M8	M6	CuZn-Sn	1,5	1507701	10	1507700	200
	M686DX	-	M6	M8	M6	CuZn-Sn	1,5	1507704	10	1507705	250
	M666DX	+	M6	M6	M6	CuZn-Sn	1,5			1507703	200
	M666DX	-	M6	M6	M6	CuZn-Sn	1,5			1507707	220
	M666SX	+	M6	M6	M6	CuZn-Sn	1,5			1507708	220
	M666SX	-	M6	M6	M6	CuZn-Sn	1,5			1507736	200
	M080SX	+	/	M8	/	CuZn-Sn	1,5			1507760	250
	M606DX	+	M6	/	M6	CuZn-Sn	1,5			1507772	250
	M606SX	+	M6	/	M6	CuZn-Sn	1,5			1507771	250
	M868DX	+	M8	M6	M8	CuZn-Sn	1,5			1507790	200
	M868SX	+	M8	M6	M8	CuZn-Sn	1,5			1508001	180

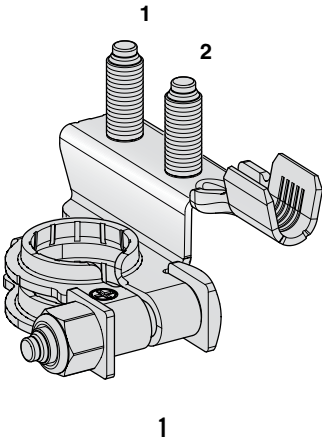


DX

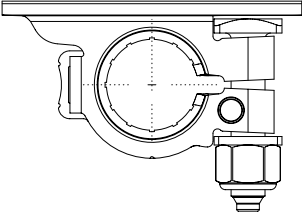


SX

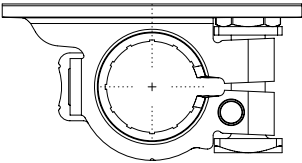
# DOUBLE RING



IMG	DESCRIPTION	POLARITY	SCREW 1	SCREW 2	WIRE SECTION mm <sup>2</sup>	MATERIAL	MATERIAL THICKNESS mm	P/N BULK	MOQ
1	M66DX	+	M6	M6	10÷20	CuZn-Sn	1,3	1507800	200
	M66DX	+	M6	M6	25÷40	CuZn-Sn	1,3	1507820	200
	M66DX	-	M6	M6	25÷40	CuZn-Sn	1,3	1507875	200

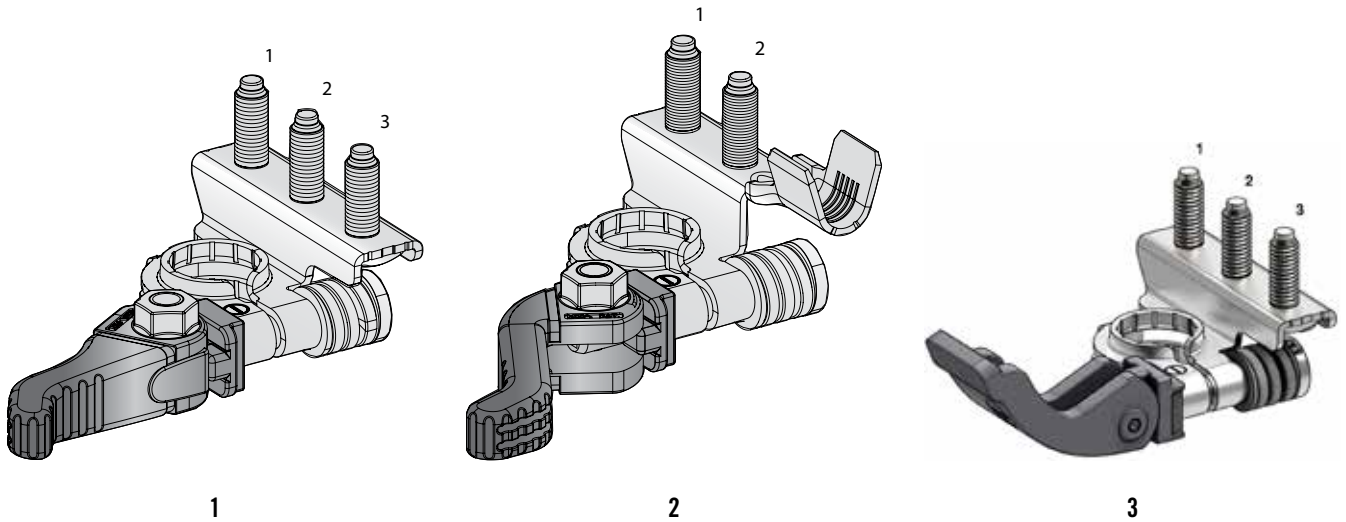


DX

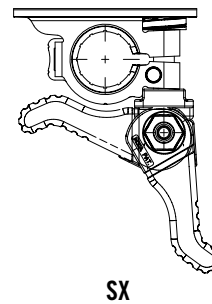
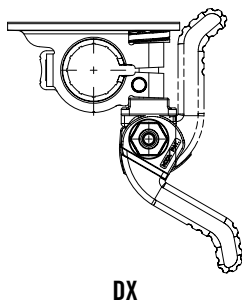


SX

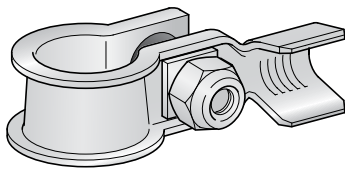
# QUICK LOCK



IMG.	DESCRIPTION	POLARITY	SCREW 1	SCREW 2	SCREW 3	WIRE SECTION mm <sup>2</sup>	MATERIAL	MATERIAL THICKNESS mm	P/N BULK	MOQ
1	M666SX	-	M6	M6	M6		CuZn-Sn	1,5	1507905	130
	M666SX	+	M6	M6	M6		CuZn-Sn	1,5	1507975	130
	M666DX	-	M6	M6	M6		CuZn-Sn	1,5	1507915	130
2	M66DX	-	M6	M6		10÷20	CuZn-Sn	1,3	1507925	130
	M66DX	-	M6	M6		25÷40	CuZn-Sn	1,3	1507955	130
	M60DX	-	M6			10÷20	CuZn-Sn	1,3	1507946	100
	M66DX	-	M6	M6		AWG1	CuZn-Sn	1,3	1507957	200
3	VQR	-	M6	M6	M6		CuZn33-Sn	1,5	1507601	100



# STRIP TYPE

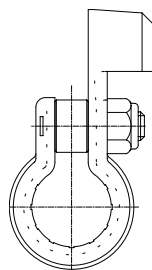


1

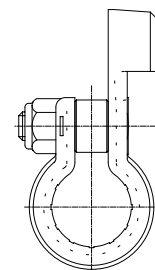


2

IMG	DESCRIPTION	POLARITY	SCREW 1	WIRE SECTION mm <sup>2</sup>	MATERIAL	MATERIAL THICKNESS mm	P/N BULK	MOQ
1	STRIP DX	-		10÷20	CuZn-Sn	1,2	1506655	400
	STRIP DX	-		25÷40	CuZn-Sn	1,2	1506665	400
	STRIP SX	-		10÷20	CuZn-Sn	1,2	1506658	400
	STRIP SX	-		25÷40	CuZn-Sn	1,2	1506668	400
	STRIP DX	+		10÷20	CuZn-Sn	1,2	1506720	400
	STRIP DX	+		25÷40	CuZn-Sn	1,2	1506730	400
2	STRIP SX	-	M8		CuZn-Sn	1,2	1506678	400

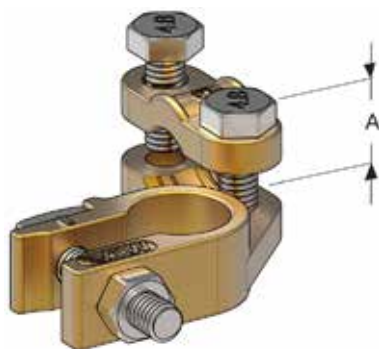


DX

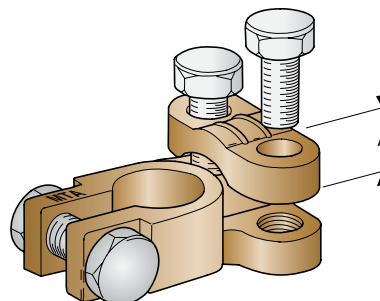


SX

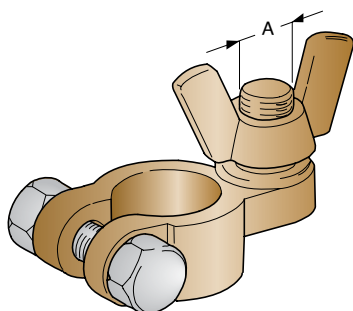
# DIE CAST



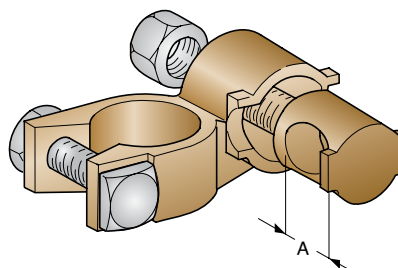
1



2



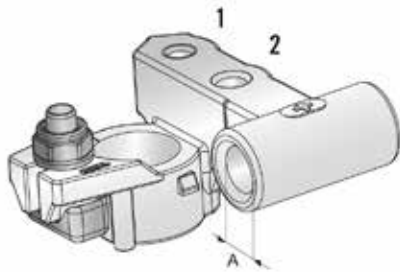
3



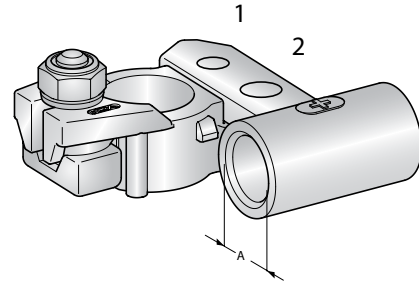
4

IMG	DESCRIPTION	POLARITY	WIRE SECTION mm <sup>2</sup>	MATERIAL	A mm <sup>2</sup>	P/N BOX	MOQ
1	DIE CAST	+		BRASS	25÷50	1506100	25
	DIE CAST	-		BRASS	25÷50	1506110	25
2	DIE CAST	+		BRASS	25÷50	1506270	25
	DIE CAST	-		BRASS	25÷50	1506280	25
3	DIE CAST	+		BRASS	M10	1506120	25
	DIE CAST	-		BRASS	M8	1506130	25
4	BATTERY TERMINAL	+	25	BRASS		1506250	25
	BATTERY TERMINAL	-	25	BRASS		1506260	25

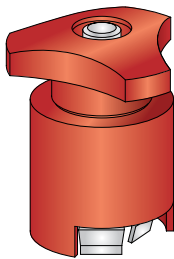
# DIE CAST & FRENCH TYPES



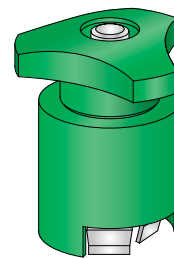
1



2



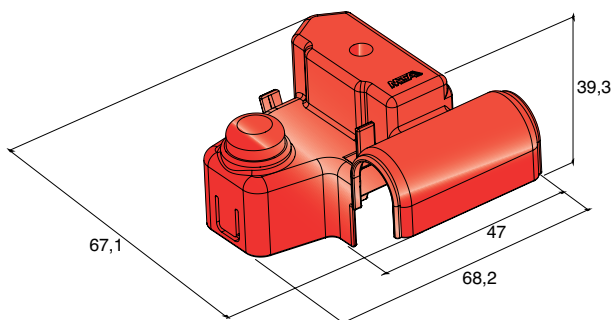
3



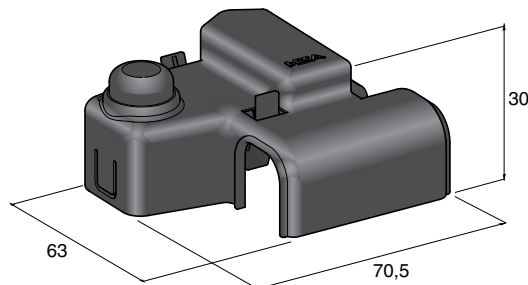
4

IMG	DESCRIPTION	POLARITY	SCREW 1	SCREW 2	A mm <sup>2</sup>	MATERIAL	COLOUR	P/N BULK	MOQ
1	DIE CAST	+	M6	M8	50	BRASS Sn		1506765	70
2	DIE CAST	+	M6	M8	70	BRASS Sn		1506740	150
	DIE CAST	-	M6	M8	50	BRASS Sn		1506760	150
3	BATTERY TERMINAL	+	-			PE - NYLON	■ RED	1506200	25
4	BATTERY TERMINAL	-	-			PE - NYLON	■ GREEN	1506210	25

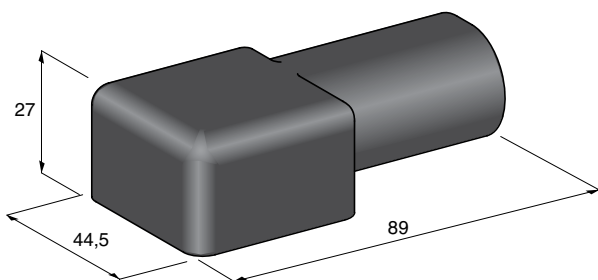
# PROTECTION COVERS



1



2

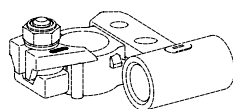


3

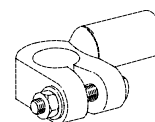
IMG	DESCRIPTION	POLARITY	MATERIAL	COLOUR	P/N BULK	MOQ
1	COVER FOR 1506765	+	PP	Red	4510499	500
2	COVER FOR 150674X	+	PP	Red	4510496	500
	COVER FOR 150676X	-	PP	Black	4510497	500
3	COVER		EPDM	Black	4510495	500



1

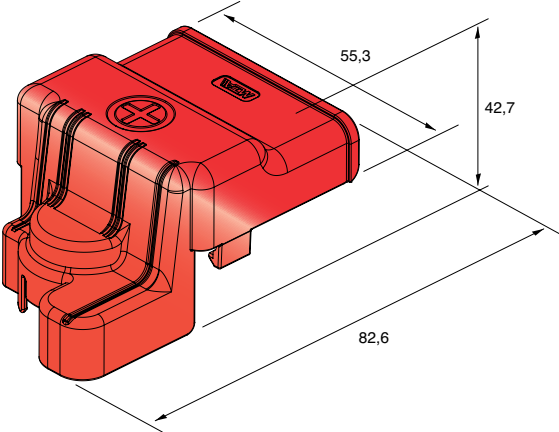


2

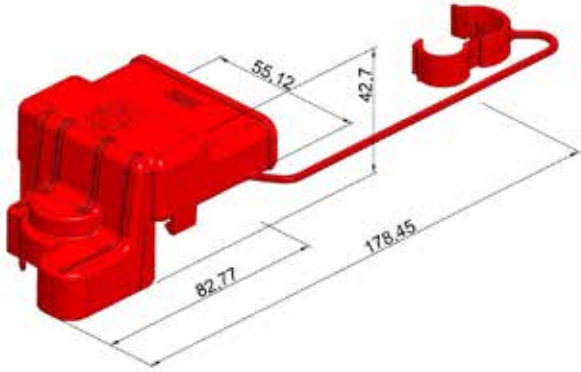


3

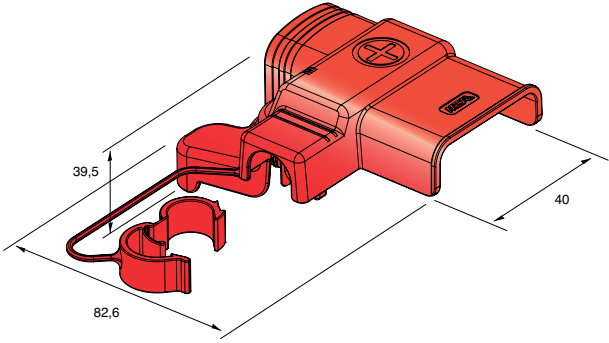
# PROTECTION COVERS



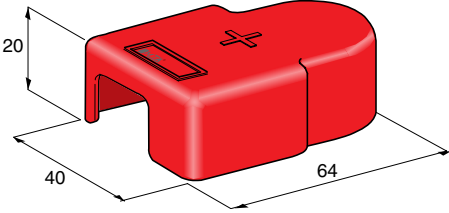
1



2



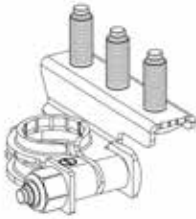
3



4

NEW

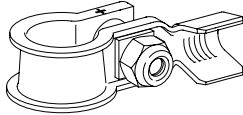
IMG	DESCRIPTION	POLARITY	MATERIAL	COLOUR	P/N BULK	MOQ
1	COVER FOR 15077XX	+	PP	Red	4510503	100
2	COVER FOR 15077XX e 1508001	+	PP	Red	0301466	TBD
3	COVER FOR 15078XX	+	PP	Red	4510502	100
4	COVER FOR 1506720/21/30/31	+	PP	Red	4510480	500



1/2



3

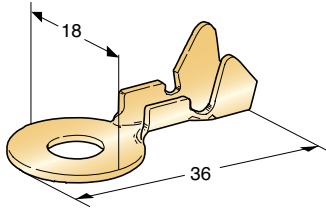


4

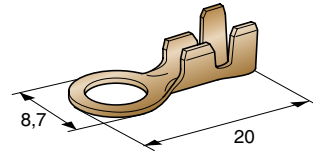


# TERMINALS

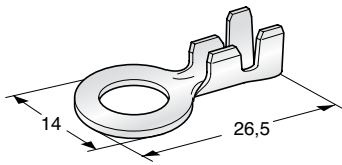
# STANDARD RING



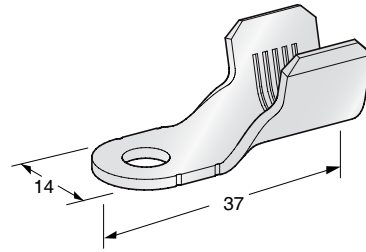
1



2



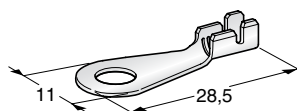
3



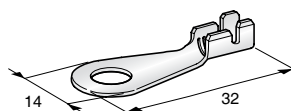
4

IMG	DESCRIPTION	SCREW	WIRE SECTION mm <sup>2</sup>	MATERIAL	MATERIAL THICKNESS mm	P/N BOX	MOQ	P/N BULK	MOQ
1	UNI679 L35	M10	4÷6	CuZn	0,7	1602550	100		
2	STD L22	M4	1÷2,5	CuZn	0,6	1602970	100		
	STD L22	M5	1÷2,5	CuZn	0,6	1602980	100		
	STD L22	M6	1÷2,5	CuZn	0,6	1602981	100		
3	STD L26	M6	3÷6	CuZn	0,8	1602990	100		
	STD L26	M8	3÷6	CuZn	0,8	1603000	100		
4	STD L37	M6	25÷40	CuZn-Sn	1,5			1609000	2000

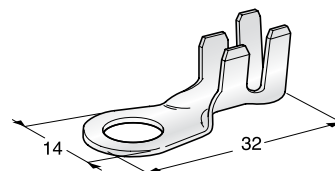
# GROUND



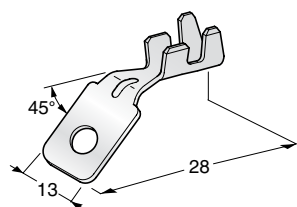
1



2



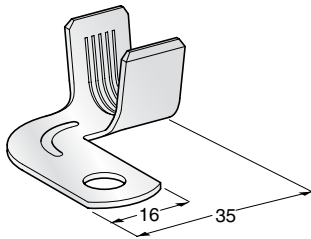
3



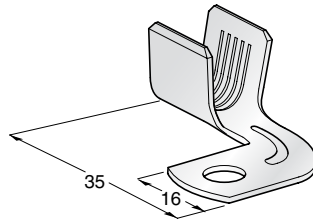
4

IMG	DESCRIPTION	SCREW	WIRE SECTION mm <sup>2</sup>	MATERIAL	MATERIAL THICKNESS mm	P/N REEL	MOQ
1	GND L28	M5	0,5÷1,5	CuZn-Sn	0,6	1706740	12000
	GND-FLY L28	M5	0,5÷1,5	CuZn-Sn	0,6	1706741	12000
2	GND L32	M6	1÷2,5	CuZn-Sn	0,8	1706720	6000
	GND L32	M6	4÷6	CuZn-Sn	0,8	1706700	4500
	GND L32	M6	8÷10	CuZn-Sn	0,8	1706750	2400
	GND L32	M8	1÷2,5	CuZn-Sn	0,8	1706730	6000
	GND L32	M8	4÷6	CuZn-Sn	0,8	1706710	4500
	GND L32	M8	8÷10	CuZn-Sn	0,8	1706760	2400
3	GND FLY L32	M6	1÷2,5	CuZn-Sn	0,8	1706721	6000
	GND FLY L32	M6	3÷6	CuZn-Sn	0,8	1706701	4500
	GND FLY L32	M8	1÷2,5	CuZn-Sn	0,8	1706731	6000
	GND FLY L32	M8	3÷6	CuZn-Sn	0,8	1706711	4500
4	GND 188 G45	M5	2,5÷6	CuZn-Sn	0,8	1708160	3600

# CBA



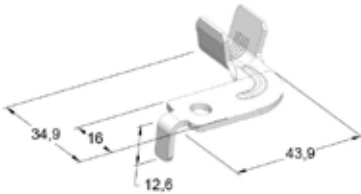
1



2



3

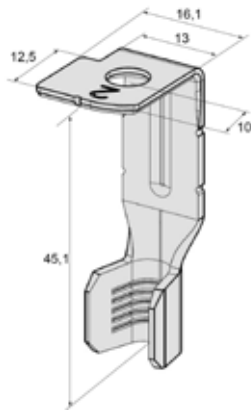


4

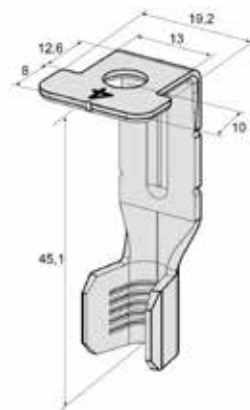
5

IMG	DESCRIPTION	SCREW	WIRE SECTION mm <sup>2</sup>	MATERIAL	MATERIAL THICKNESS mm	P/N BOX	MOQ	P/N REEL	MOQ
1	CBA FL 90	M8	10÷20	CuZn-Sn	1,5			1708170	800
	CBA FL 90	M6	10÷20	CuZn-Sn	1,5			1708175	1000
	CBA FL 90	M6	25÷42	CuZn-Sn	1,5	1604300	1500		
	CBA FL 90	M6	25÷42	CuZn-Sn	1,5			1708215	800
	CBA FL 90	M8	50÷70	CuZn-Sn	1,8			1708230	600
	CBA FL 90	M6	50	CuZn-Sn	1,8			1708231	600
2	CBA SX FL90	M6	20÷40	CuZn-Sn	1,8			1708325	600
	CBA SX FL90	M8	20÷40	CuZn-Sn	1,8			1708320	600
	CBA SX FL90	M6	50÷70	CuZn-Sn	1,8			1708315	600
	CBA SX FL90	M8	50÷70	CuZn-Sn	1,8			1708310	600
3	CBA J81 L4	M8	10÷20	Cu-Sn	1,8	1609200	350		
NEW 4	RING TERMINAL ANTIROTATION CVT	M6	20÷40	CuZn-Sn	1,8			1708326	3500

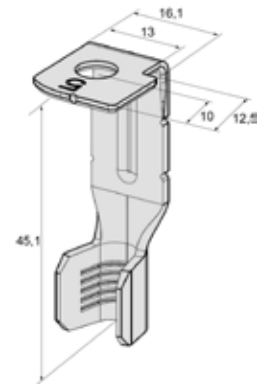
# HMPDC



1



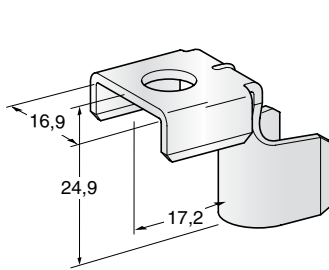
2



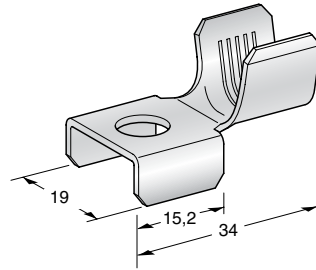
3

IMG	DESCRIPTION	SCREW	WIRE SECTION mm <sup>2</sup>	MATERIAL	MATERIAL THICKNESS mm	P/N BOX	MOQ
1	RING TERMINAL G90 45mm POL.2	M6	8÷16	CuZn-Sn	1,5	1600055	600
2	RING TERMINAL G90 45mm POL.4	M6	8÷16	CuZn-Sn	1,5	1600056	600
3	RING TERMINAL G90 45mm POL.5	M6	8÷16	CuZn-Sn	1,5	1600057	600

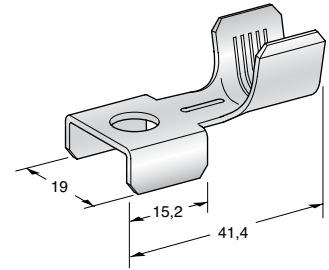
# MEGA



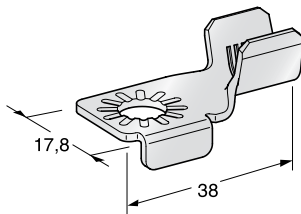
1



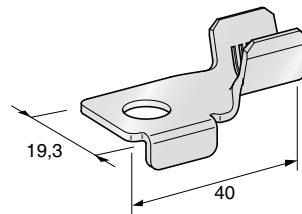
2



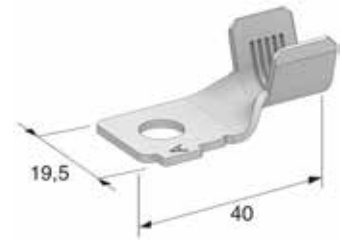
3



4

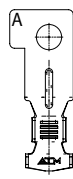


5

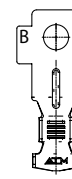


6

IMG	DESCRIPTION	SCREW	WIRE SECTION mm <sup>2</sup>	MATERIAL	MATERIAL THICKNESS mm	P/N BOX	MOQ	P/N REEL	MOQ
1	MEGA G90	M8	10÷20	Cu-Sn	1,5	1608180	650		
	MEGA G90	M8	25÷35	Cu-Sn	1,5	1608190	500		
2	MEGA L34	M8	10÷20	Cu-Sn	1,2	1108110	10	1708110	1200
	MEGA L34	M8	25÷35	Cu-Sn	1,2	1108120	10	1708120	900
3	MEGA L41	M8	25÷40	Cu-Sn	1,5	1608196	500		
4	W84 L38	M8	10÷25	CuZn-Sn	1,5	1608800	1400		
5	W62 L40	M8	25÷40	Cu-Sn	1,5	1609320	700		
6	W62 L40 POL.A	M8	25÷40	Cu-Sn	1,5	1609330	700		
	W62 L40 POL.B	M8	25÷40	Cu-Sn	1,5	1609340	700		

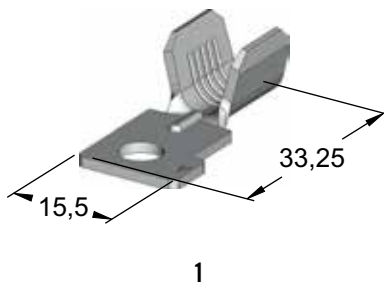


POL A

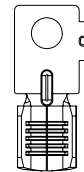
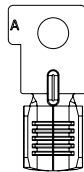


POL B

# MEGA COMPACT



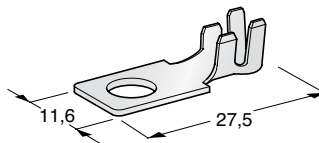
IMG	DESCRIPTION	SCREW	WIRE SECTION mm <sup>2</sup>	MATERIAL	MATERIAL THICKNESS mm	P/N REEL	MOQ
1	RING TERMINAL MEGA POL A	M6	10÷20	Cu-Sn	1,5	1700055	1000
	RING TERMINAL MEGA POL C	M6	10÷20	Cu-Sn	1,5	1700056	1000



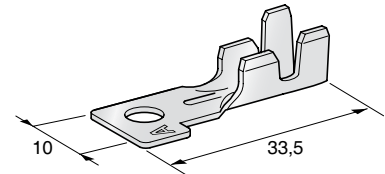
# MIDI



1

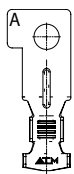


2

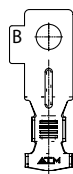


3

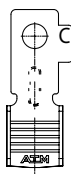
IMG	DESCRIPTION	SCREW	WIRE SECTION mm <sup>2</sup>	MATERIAL	MATERIAL THICKNESS mm	P/N REEL	MOQ
1	MIDI L26	M4	2,5÷4	CuZn-Sn	0,8	1708280	2000
2	MIDI L27	M5	2,5÷4	CuZn-Sn	0,8	1708240	2000
	MIDI L28	M5	6÷8	CuZn-Sn	0,8	1708245	1600
	MIDI L28	M6	6÷8	CuZn-Sn	0,8	1708246	1600
3	MIDI L33 UNI	M5	2,5÷4	Cu-Sn	0,8	1705606	2000
	MIDI L33 POL A	M5	2,5÷4	Cu-Sn	0,8	1705616	2000
	MIDI L33 POL B	M5	2,5÷4	Cu-Sn	0,8	1705626	2000
	MIDI L33 POL E	M5	2,5÷4	Cu-Sn	0,8	1705656	2000
	MIDI L33 UNI	M5	6÷8	Cu-Sn	0,8	1705705	2000
	MIDI L33 POL A	M5	6÷8	Cu-Sn	0,8	1705715	2000
	MIDI L33 POL B	M5	6÷8	Cu-Sn	0,8	1705725	2000
	MIDI L33 POL D	M5	6÷8	Cu-Sn	0,8	1705745	2000
	MIDI L33 POL C	M5	6÷8	Cu-Sn	0,8	1705735	2000



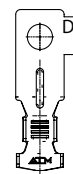
POL A



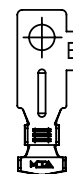
POL B



POL C

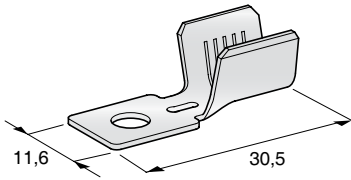


POL D

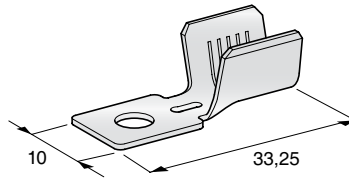


POL E

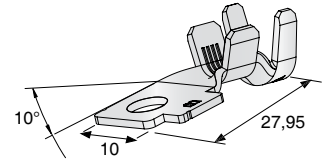
# MIDI



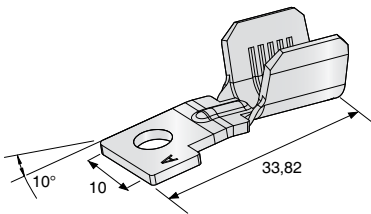
1



2



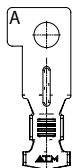
3



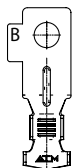
4

5

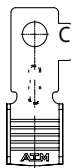
IMG	DESCRIPTION	SCREW	WIRE SECTION mm <sup>2</sup>	MATERIAL	MATERIAL THICKNESS mm	P/N BOX	MOQ	P/N REEL	MOQ
1	MIDI L30	M5	10÷16	CuZn-Sn	0,8			1708250	1600
	MIDI L30	M6	10÷16	CuZn-Sn	0,8			1708251	1600
2	MIDI L33 UNI	M5	25÷35	Cu-Sn	1,5			1605905	800
	MIDI L33 POL A	M5	10÷20	Cu-Sn	1,5			1705855	1000
	MIDI L33 POL B	M5	10÷20	Cu-Sn	1,5			1705825	1000
	MIDI L33 POL B	M5	25÷35	Cu-Sn	1,5			1705925	800
	MIDI L33 POL C	M5	10÷20	Cu-Sn	1,5			1705835	1000
	MIDI L33 POL D	M5	10÷20	Cu-Sn	1,5			1705856	1000
	MIDI L33 POL E	M5	10÷20	Cu-Sn	1,5			1705857	1000
3	MIDI G10 POL B	M5	6÷8	CuZn-Sn	1			1705726	2700
4	MIDI G10 POL D	M5	10÷20	CuZn-Sn	1,5			1705846	1000



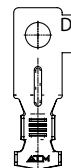
POL A



POL B



POL C

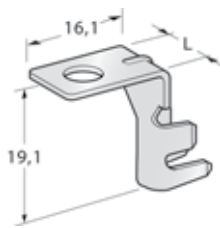


POL D

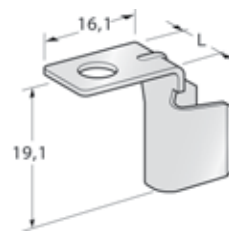


POL E

## MIDI G90

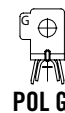
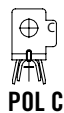
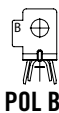
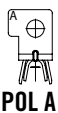


1

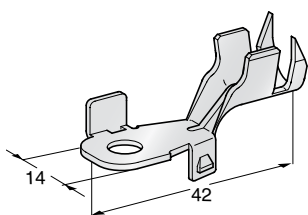


2

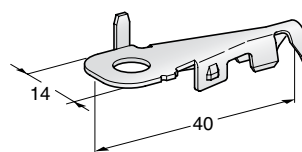
IMG	DESCRIPTION	L mm	SCREW	WIRE SECTION mm <sup>2</sup>	MATERIAL	MATERIAL THICKNESS mm	P/N BOX	MOQ
1	MIDI G90 UNI	10	M5	6÷8	Cu-Sn	0,8	1605700	2500
	MIDI G90 POL A	10	M5	2,5÷4	Cu-Sn	0,8	1605610	2500
	MIDI G90 POL A	10	M5	6÷8	Cu-Sn	0,8	1605710	2000
	MIDI G90 POL B	10	M5	2,5÷4	Cu-Sn	0,8	1605620	2500
	MIDI G90 POL B	10	M5	6÷8	Cu-Sn	0,8	1605720	2000
	MIDI G90 POL C	10	M5	2,5÷4	Cu-Sn	0,8	1605630	2500
	MIDI G90 POL C	10	M5	6÷8	Cu-Sn	0,8	1605730	2000
	MIDI G90 POL E	10	M5	2,5÷4	Cu-Sn	0,8	1605650	2500
	2	MIDI G90 UNI	10	M5	10÷20	Cu-Sn	1,5	1605800
MIDI G90 UNI		10	M5	25÷35	Cu-Sn	1,5	1605900	1500
MIDI G90 POL A		10	M5	10÷20	Cu-Sn	1,5	1605810	1500
MIDI G90 POL A		10	M5	25÷35	Cu-Sn	1,5	1605910	2000
MIDI G90 POL B		10	M5	10÷20	Cu-Sn	1,5	1605820	1500
MIDI G90 POL B		10	M5	25÷35	Cu-Sn	1,5	1605920	2000
MIDI G90 POL C		10	M5	10÷20	Cu-Sn	1,5	1605830	1500
MIDI G90 POL G		10	M5	10÷20	Cu-Sn	1,5	1605847	1500
MIDI G90 POL A		13	M6	10÷20	Cu-Sn	1,5	1605811	1200
MIDI G90 POL C		13	M6	25÷35	Cu-Sn	1,5	1605911	1000



# REVERSIBLE



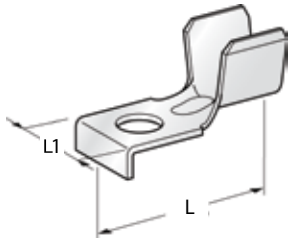
1



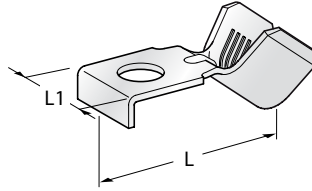
2

IMG	DESCRIPTION	SCREW	WIRE SECTION mm <sup>2</sup>	MATERIAL	MATERIAL THICKNESS mm	P/N REEL	MOQ
1	RVS-A L42	M6	2,5÷4	Cu-Sn	0,8	1706900	1200
	RVS-A L42	M6	6÷8	Cu-Sn	1	1706910	1400
2	RVS-B L40	M6	2,5÷4	Cu-Sn	0,8	1706930	2200
	RVS-B L40	M6	6÷8	Cu-Sn	1	1706940	2000

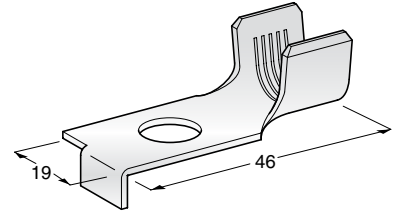
# SQUARE



1



2



3

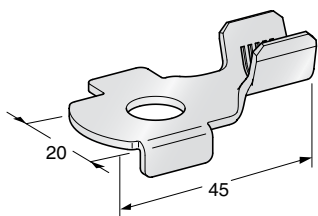


4

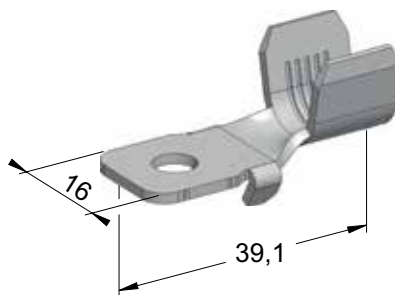
5

IMG	DESCRIPTION	L mm	L1 mm	SCREW	WIRE SECTION mm <sup>2</sup>	MATERIAL	MATERIAL THICKNESS mm	P/N BOX	MOQ	P/N REEL	MOQ
1	SQR-A	35,5	12	M5	10÷20	CuZn-Sn	1,2			1706990	1200
	SQR-A	35,5	16	M6	25÷35	CuZn-Sn	1,2			1706980	1000
	SQR-A	35,5	16	M6	25÷40	CuETP-Sn	1,5	1606981	1800		
	SQR-A	35,5	16	M8	10÷20	CuZn-Sn	1,2			1706950	1200
	SQR-A	35,5	16	M8	25÷35	CuZn-Sn	1,2			1706960	1000
	SQR-A	35,5	16	M8	25÷40	CuZn-Sn	1,5	1606990	800		
	SQR-A	37,1	16	M8	25÷40	CuZn-Sn	1,5	1606992	800		
2	SQR-A G45	37,1	16	M8	25÷40	CuZn-Sn	1,5	1606994	900		
	SQR-A G40	38,7	16	M6	25÷40	CuZn-Sn	1,2	1606982	2000		
3	SQR-B L46			M10	10÷20	CuZn-Sn	1,5			1708220	800
	SQR-B L46			M10	25÷35	CuZn-Sn	1,5			1708200	700
5	SQR-FL90 GROUND			M8	25÷40	Cu-Sn	1,5	1600048	200		

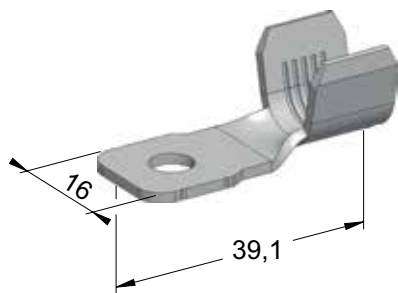
# SQUARE



1



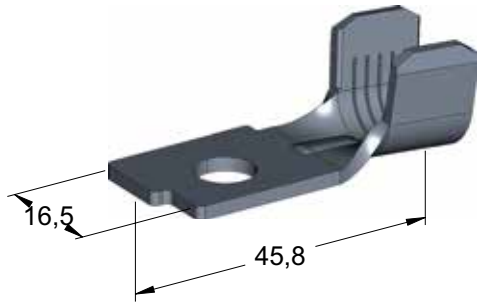
2



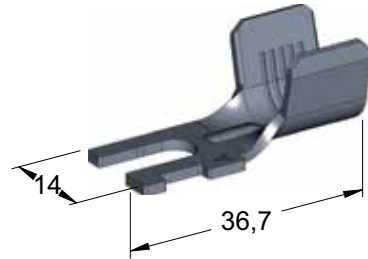
3

IMG	DESCRIPTION	SCREW	WIRE SECTION mm <sup>2</sup>	MATERIAL	MATERIAL THICKNESS mm	P/N REEL	MOQ
1	SQR-C L45 SX	M10	25÷40	CuZn-Sn	1,5	1708270	700
2	SQR-C MY03	M6	10÷20	CuZn-Sn	1,5	1706975	1000
	SQR-C MY03	M6	25÷40	CuZn-Sn	1,5	1706977	700
3	SQR-C UNI	M6	25÷40	CuZn-Sn	1,5	1706712	700

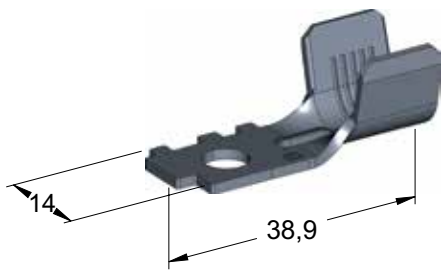
# SQUARE



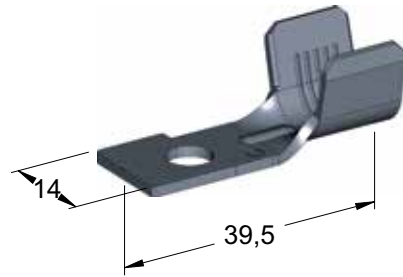
1



2



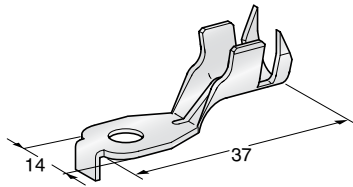
3



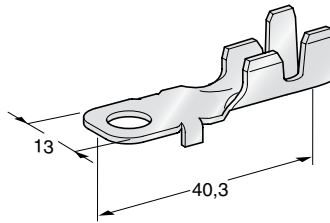
4

IMG	DESCRIPTION	L mm	SCREW	WIRE SECTION mm <sup>2</sup>	MATERIAL	MATERIAL THICKNESS mm	P/N BULK	MOQ	P/N REEL	MOQ
1	SQR	45,73	M8	35	Cu-Sn	1,2	1603008	550	1603004	500
2	SQR POL A	36,5	M6	25 -35	Cu-Sn	1,5	1603005	1000	1603001	800
3	SQR POL B	38,7	M6	25 -35	Cu-Sn	1,5	1603006	1000	1603002	800
4	SQR POL C	39,3	M6	25 -35	Cu-Sn	1,5	1603007	1000	1603003	800

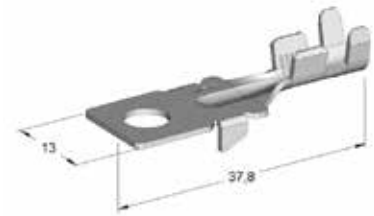
# SMT



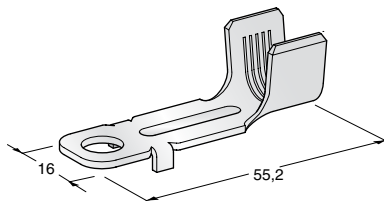
1



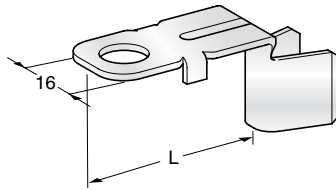
2



3



4



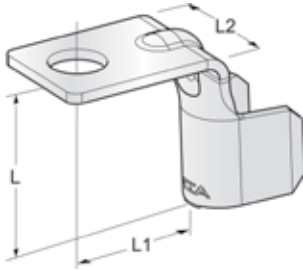
5



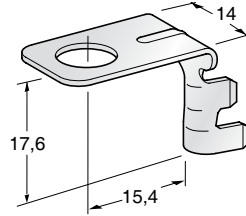
6

IMG	DESCRIPTION	L mm	SCREW	WIRE SECTION mm <sup>2</sup>	MATERIAL	MATERIAL THICKNESS mm	P/N BOX	MOQ	P/N REEL	MOQ
1	SMT-A L39		M6	4÷8	CuZn-Sn	1			1706880	1400
	SMT-A L39		M6	10÷16	CuZn-Sn	1,2			1706890	1200
2	SMT-B L40		M6	2,5÷4	CuZn-Sn	0,8			1706600	2000
3	SMT-C L37		M6	2,5÷4	CuZn-Sn	0,8			1706713	2000
4	SMT-C L55		M8	50÷70	CuZn-Sn	1,5	1606796	1000		
5	SMT-C G90	33	M6	6÷8	CuZn-Sn	1,2	1606775	500		
	SMT-C G90	33	M6	10÷20	CuZn-Sn	1,2	1606770	2000		
	SMT-C G90	33	M6	25÷40	CuZn-Sn	1,2	1606500	600		
	SMT-C G90	33	M8	25÷40	CuZn-Sn	1,2	1606785	600		
	SMT-C G90	35,6	M8	50÷70	CuZn-Sn	1,5	1606795	1000		
6	SMT-B G90		M8	2,5÷4	CuZn-Sn	0,8	1606791	2000		

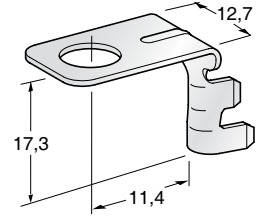
# SPECIAL TYPES



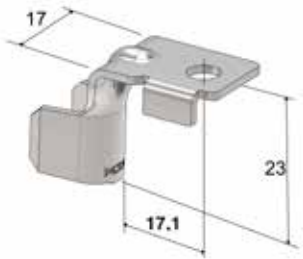
1



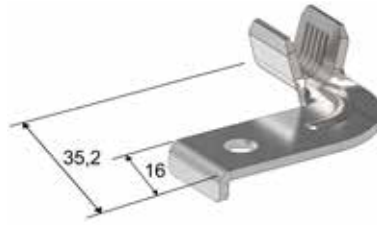
2



3



4

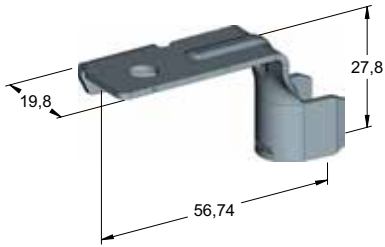


5

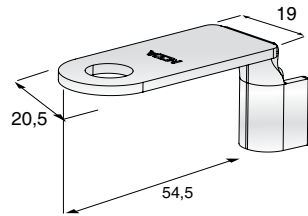
6

IMG	DESCRIPTION	L mm	L1 mm	L2 mm	SCREW	WIRE SECTION mm <sup>2</sup>	MATERIAL	MATERIAL THICKNESS mm	P/N BOX	MOQ
1	FDU G90	23	16,7	17	M8	25÷40	CuZn-Sn	1,5	1608380	1500
	FDU G90	23	16,7	17	M6	25÷40	CuZn-Sn	1,5	1608381	700
	G90	23	16	16	M8	40, 50, 70	Cu-Sn	1,8	1607500	600
3	G90	24	16	16	M8	30 + 30	Cu-Sn	1,8	1617500	500
	PTC G90				M8	2,5÷5	Cu-Sn	0,8	1608500	1700
4	STR-S G90				M6	2,5÷4	Cu-Sn	0,8	1608510	2300
5	FDU GM90M6P				M6	25÷35	CuZn-Sn	1,5	1704010	600
6	SX FL90 P				M6	20 - 35	CuZn-Sn	1,8	1704000	500

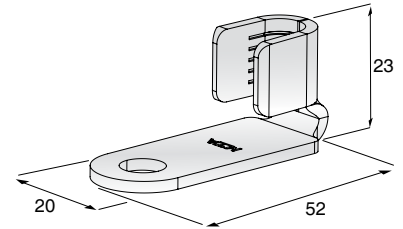
# SPECIAL TYPES



1



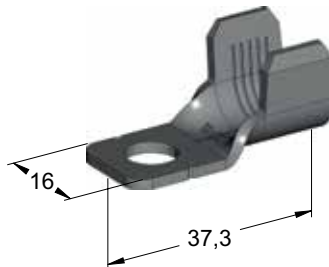
2



3



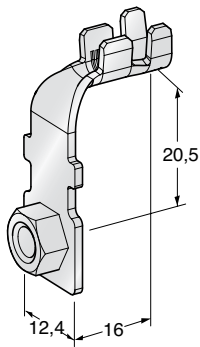
4



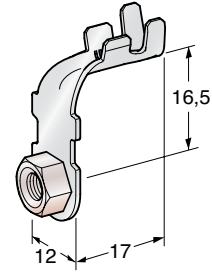
5

IMG	DESCRIPTION	L mm	SCREW	WIRE SECTION mm <sup>2</sup>	MATERIAL	MATERIAL THICKNESS mm	P/N BOX	MOQ
1	NEGATIVE BATTERY RING TERMINAL	x	M6	35 - 50	Cu-Sn	1,5	1600047	500
2	G90	54,5	M8	16	CuZn-Sn	1,9	1796416	2000
3	G90		M8	35	CuZn-Sn	2,3	1793753	500
4	L47		M8	40, 50, 70	Cu-Sn	1,8	1607510	600
5	L37		M8	40÷70	Cu-Sn	1,8	1607511	600
<b>NEW</b>	L37		M8	10 - 20	Cu-Sn	1,5	1600068	???
<b>NEW</b>	L37		M8	25 - 40	Cu-Sn	1,5	1600068	???

# NUT TYPES



1

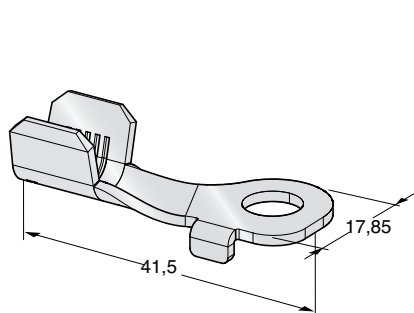


2

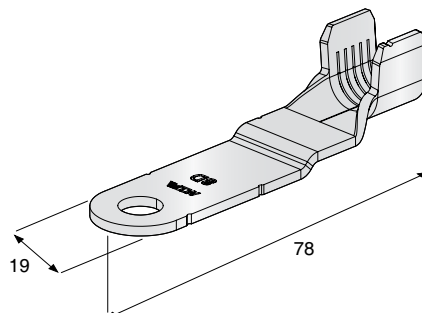
3

IMG	DESCRIPTION	SCREW	WIRE SECTION mm <sup>2</sup>	MATERIAL	MATERIAL THICKNESS mm	P/N BOX	MOQ
1	NUT G90 SH	M5	2,5÷5	CuZn-Sn	1,2	1608420	1500
2	NUT G90	M5	2,5÷5	CuZn-Sn	1	1608400	1500

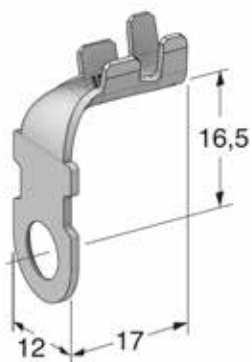
# SPECIAL TYPES



1



2

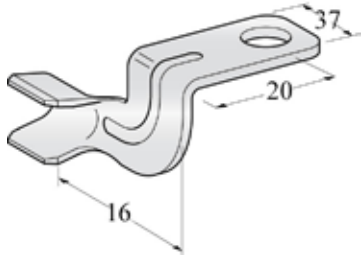


3

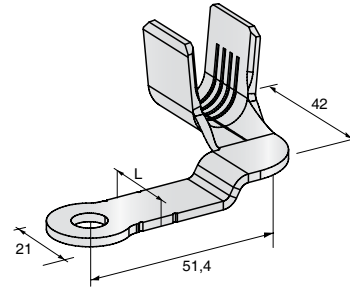
4

IMG	DESCRIPTION	SCREW	WIRE SECTION mm <sup>2</sup>	MATERIAL	MATERIAL THICKNESS mm	P/N BOX	MOQ	P/N REEL	MOQ
1	STARTER L41	M8	10÷20	CuZn-Sn	1,5			1708360	1000
	STARTER L41	M8	25÷40	CuZn-Sn	1,5			1708370	800
2	ALTERNATOR	M8	35÷50	Cu-Sn	2	1607400	250		
3	G90	M6	2,5÷5	CuZn-Sn	1	1606995	2000		

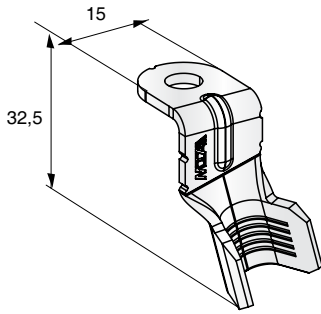
# SPECIAL TYPES



1



2

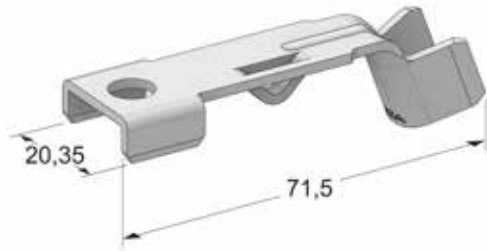


3

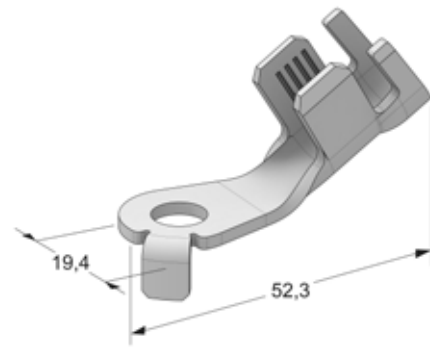
4

IMG	DESCRIPTION	L mm	SCREW	WIRE SECTION mm <sup>2</sup>	MATERIAL	MATERIAL THICKNESS mm	P/N BOX	MOQ
2	FLANGE TW90		M8	25÷35	Cu-Sn	1,5	1608700	450
3	D21	16	M8	16÷41	CuZn-Sn	2	1609910	380
	D21	13	M8	14÷41	CuZn-Sn	2	1609920	250
4	FL15 G90		M6	25÷35	Cu-Sn	1,8	1608520	700

# SPECIAL TYPES



1



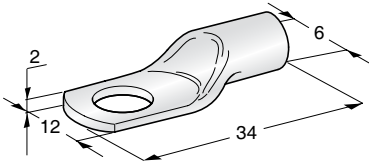
2



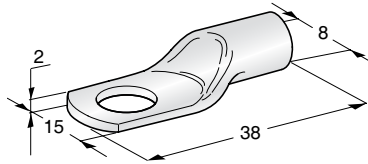
3

IMG	DESCRIPTION	SCREW	WIRE SECTION mm <sup>2</sup>	MATERIAL	MATERIAL THICKNESS mm	P/N BOX	MOQ
1	G70	M8	25÷35	CuZn-Sn	1,8	1608540	300
2	G30 ANTIROTATION	M8	35	CuZn-Sn	2,0	1609960	500
4	EYLET M8	M8	25	CuZn-Sn	1,5	1556792	650

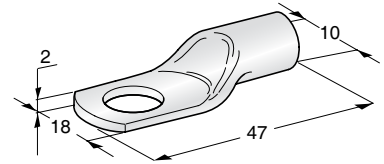
# TUBULAR



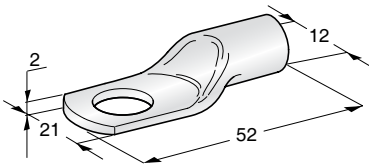
1



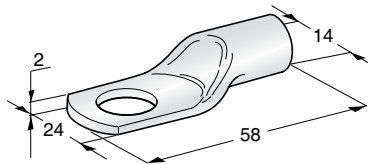
2



3



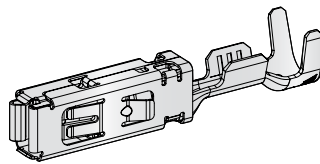
4



5

IMG	DESCRIPTION	SCREW	WIRE SECTION mm <sup>2</sup>	MATERIAL	P/N BOX	MOQ
1	TUBOLAR L34	M6	16	Cu-Sn	1605000	50
	TUBOLAR L34	M8	16	Cu-Sn	1605100	50
2	TUBOLAR L38	M8	25	Cu-Sn	1605010	50
	TUBOLAR L38	M10	25	Cu-Sn	1605110	50
3	TUBOLAR L47	M8	35	Cu-Sn	1605021	50
	TUBOLAR L47	M10	35	Cu-Sn	1605020	50
4	TUBOLAR L52	M11	50	Cu-Sn	1605030	25
5	TUBOLAR L58	M13	75	Cu-Sn	1605040	25

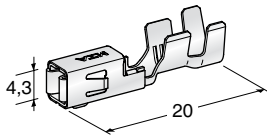
# HP6 280



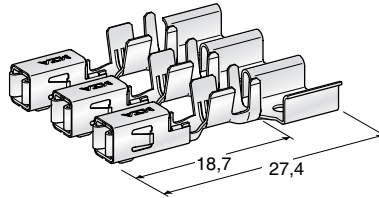
1

IMG	DESCRIPTION	WIRE SECTION mm <sup>2</sup>	MATERIAL	MATERIAL THICKNESS mm	CONTACT AREA COATING	P/N BOX	MOQ	P/N REEL	MOQ
1	HP6 280	0,5÷1	Cu Alloy-Sn	0,3	Au	1108380	100	1708380	10500
	HP6 280	1,5÷2,5	Cu Alloy-Sn	0,3	Au	1108381	100	1708381	10500
	HP6 280	0,5÷1	Cu Alloy-Sn	0,3	Sn	1108382	100	1708382	10500
	HP6 280	1,5÷2,5	Cu Alloy-Sn	0,3	Sn	1108383	100	1708383	10500
	HP6 280	0,5÷1	Cu Alloy-Sn	0,3	Ag			1708391	10500
	HP6 280	1,5÷2,5	Cu Alloy-Sn	0,3	Ag			1708392	10500

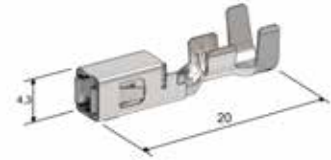
# MINI 280



1



2



3



4



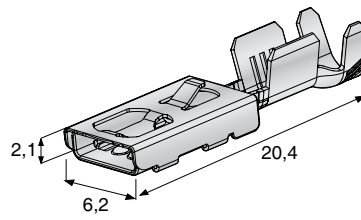
5



6

IMG.	DESCRIPTION	WIRE SECTION mm <sup>2</sup>	WIRE DIAMETER Ømm	MATERIAL	MAT. THICK. mm	TAB / COLOUR	P/N BOX	MOQ	P/N BULK	MOQ	P/N REEL	MOQ
1	MINI F280	0,35÷0,75		CuFe-Sn	0,3		1108330	100			1708330	9000
	MINI F280	1÷2		CuFe-Sn	0,3		1108331	100			1708331	9000
	MINI F280	2,5÷4		CuFe-Sn	0,3		1108332	100			1708332	9000
2	MINI F280 BUS BAR	1÷2		CuFe-Sn	0,3						1708335	12000
	MINI F280 BUS BAR	2,5÷4		CuFe-Sn	0,3						1708336	12000
3	MINI F280 WP	0,35÷0,75		CuFe-Sn	0,3		1108337	100			1708337	9000
	MINI F280 WP	1÷2		CuFe-Sn	0,3		1108338	100			1708338	9000
	MINI F280 WP	2,5÷4		CuFe-Sn	0,3		1108339	100			1708339	9000
4	MINI F280 DOUBLE			CuFe-Sn		Male 2,8			1708334	20000		
5	GASKET		2,2÷3	Silicon		Green	4551747	100	4550747	10000		
	GASKET		1,2÷2,1	Silicon		Red	4551748	100	4550748	10000		
	GASKET		3,1÷3,7	Silicon		Grey	4551749	100	4550749	10000		
6	PLUG			Silicon		Black			4550750	5000		

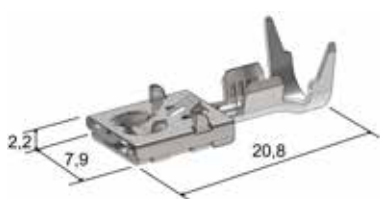
# F 480E



1

IMG	DESCRIPTION	WIRE SECTION mm <sup>2</sup>	MATERIAL	MATERIAL THICKNESS mm	P/N BOX	MOQ	P/N REEL	MOQ
1	F480E	0,5÷1	CuZn-Sn	0,3	1108400	100	1708400	15000
	F480E	1,5÷2,5	Cu Alloy-Sn	0,3	1108401	100	1708401	12000
	F480E	0,35÷0,5	CuZn-Sn	0,3	1108402	100	1708402	16500

# F630E & M630



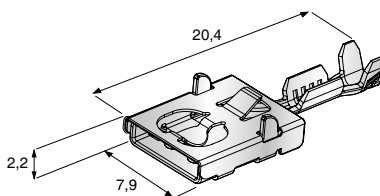
1



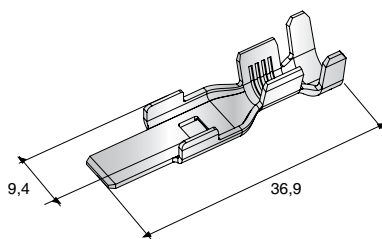
2



3



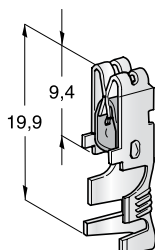
4



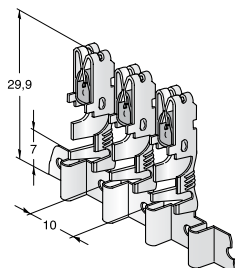
5

IMG.	DES.	WIRE SECTION mm <sup>2</sup>	WIRE DIAMETER Ømm	MATERIAL	MAT. THICK. mm	TAB	COLOUR	P/N BOX	MOQ	P/N REEL	MOQ		
1	F630 E WP	2÷3		Cu Alloy-Sn	0,4	6,3 x 0,8				1708505	5400		
	F630 E WP	4÷6		Cu Alloy-Sn	0,4	6,3 x 0,8				1708504	5400		
2	M630 WP	2,5÷4		Cu-Sn	0,8					1707995	1700		
	M630 WP	6		Cu-Sn	0,8					1707994	1700		
3	GASKET		2,7÷3,7	Silicon			Blue	4551901	10000				
	GASKET		4÷4,3	Silicon			Green	4551902	10000				
4	F630 E	0,35÷0,5		CuZn-Sn	0,4	6,3 x 0,8				1108500	100	1708500	10500
	F630 E	0,75÷1,5		CuZn-Sn	0,4	6,3 x 0,8				1108501	100	1708501	9000
	F630 E	2÷3		Cu Alloy-Sn	0,4	6,3 x 0,8				1108502	100	1708502	7500
	F630 E	4÷6		Cu Alloy-Sn	0,4	6,3 x 0,8				1108503	100	1708503	6300
	F630 E	0,75÷1,5		CuZn-Sn	0,4	5,2 x 0,6				1108511	100	1708511	9000
	F630 E	2÷2,5		Cu Alloy-Sn	0,4	5,2 x 0,6				1108512	100	1708512	7500
	F630 E	4÷6		Cu Alloy-Sn	0,4	5,2 x 0,6				1108513	100	1708513	6300
	F630 E	1,5÷2		Cu-Sn	0,8					1107990	20	1707990	3000
5	M630	2,5÷4		Cu-Sn	0,8					1107991	20	1707991	2000
	M630	6÷8		Cu-Sn	0,8					1107992	20	1707992	1900
	M630	10		Cu-Sn	0,8					1107993	20	1707993	2550
	M630												

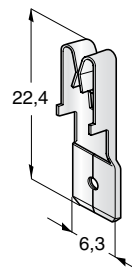
# UNI 630



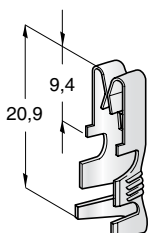
1



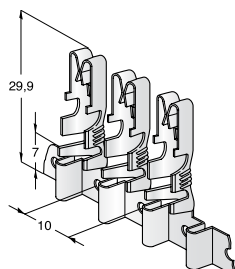
2



3



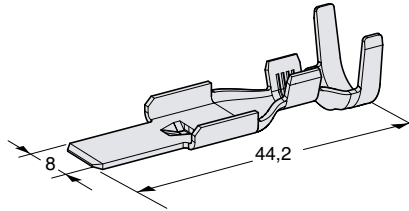
4



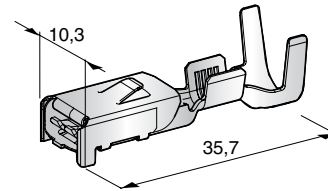
5

IMG	DESCRIPTION	WIRE SECTION mm <sup>2</sup>	MATERIAL	MATERIAL THICKNESS mm	P/N BOX	MOQ	P/NBULK	MOQ	P/N REEL	MOQ
1	UNI F630 WITH CLIP	0,5÷1,5	CuSn-Sn	0,4	1107920	100			1707920	6000
	UNI F630 WITH CLIP	2÷3	CuSn-Sn	0,4	1107930	100			1707930	6000
	UNI F630 WITH CLIP	4÷6	CuFe-Sn	0,4	1107940	50			1707940	5400
2	UNI F630 BUS BAR WITH CLIP	2÷3	CuSn-Sn	0,4					1707932	9000
	UNI F630 BUS BAR WITH CLIP	4÷6	CuFe-Sn	0,4					1707942	9000
3	UNI F630		CuSn-Sn	0,4	1107501	100	1907501	8000		
4	UNI F630	0,5÷1,5	CuSn-Sn	0,4	1107900	100			1707900	6000
	UNI F630	2÷3	CuSn-Sn	0,4					1707902	6000
	UNI F630	4÷6	CuSn-Sn	0,4	1107901	100			1707901	5400
5	UNI F630 BUS BAR	2÷3	CuSn-Sn	0,4					1707912	9000
	UNI F630 BUS BAR	4÷6	CuSn-Sn	0,4					1707911	9000

# MAXI 800 WP



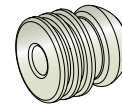
1



2



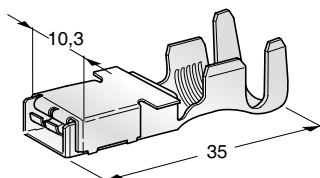
3



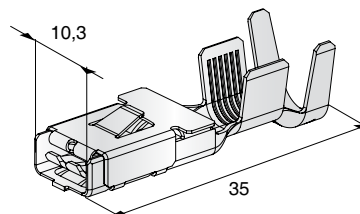
4

IMG	DESCRIPTION	WIRE SECTION mm <sup>2</sup>	WIRE DIAMETER Ømm	MATERIAL	MATERIAL THICKNESS mm	COLOUR	P/N BOX	MOQ	P/N REEL	MOQ
1	WP M800	2,5÷4		Cu-Sn	0,8				1707760	1300
	WP M800	6÷8		Cu-Sn	0,8				1707770	1000
	WP M800	10÷16		Cu-Sn	0,8				1707780	1300
2	WP F800	1,5 ÷ 2,5		CuZn-Sn	0,5		1107400	20	1707400	1300
	WP F800	3 ÷ 6		CuZn-Sn	0,5		1107410	20	1707410	1300
	WP F800	7 ÷ 10		CuNi-Sn	0,5		1107420	20	1707420	1300
3	GASKET		1,9 - 3,3	SILICON		Green	4550780	5000		
	GASKET		3,4 - 4,9	SILICON		Blue	4550781	5000		
	GASKET		5 - 6,5	SILICON		Red	4550782	5000		
4	CAVITY PLUG			SILICON		Natural	4550784	5000		

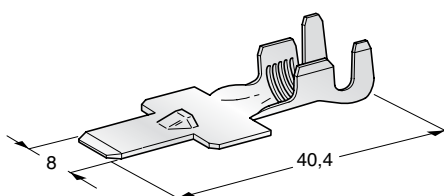
# MAXI 800



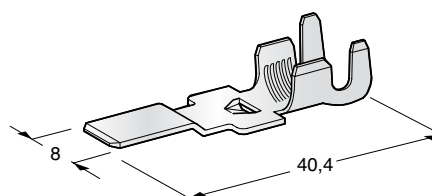
1



2



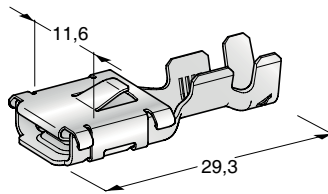
3



4

IMG	DESCRIPTION	WIRE SECTION mm <sup>2</sup>	MATERIAL	MATERIAL THICKNESS mm	P/N BOX	MOQ	P/N REEL	MOQ
1	F800	1,5÷2,5	CuZn-Sn	0,5	1107650	20	1707650	1600
	F800	4÷6	CuZn-Sn	0,5	1107660	20	1707660	1600
	F800	8÷10	CuZn-Sn	0,5	1107670	20	1707670	1300
	F800	8÷10	CuNi-Sn	0,5			1707672	1300
	F800	16	CuNi-Sn	0,5	1107671	20	1707671	1300
2	F800 WITH CLIP	1,5÷2,5	CuZn-Sn	0,5	1107620	20	1707620	2000
	F800 WITH CLIP	1,5÷2,5	CuNi-Sn	0,5			1700043	2000
	F800 WITH CLIP	4÷6	CuZn-Sn	0,5	1107621	20	1707621	2000
	F800 WITH CLIP	4÷6	CuNi-Sn	0,5			1700044	2000
	F800 WITH CLIP	8÷10	CuNi-Sn	0,5	1107622	20	1707622	1300
3	M800	2,5÷4	Cu-Sn	0,8	1107675	20	1707675	2000
	M800	6÷8	Cu-Sn	0,8	1107685	20	1707685	1600
	M800	10÷16	Cu-Sn	0,8	1107690	20	1707690	1300
4	WP M800	2,5÷4	Cu-Sn	0,8	1107700	20	1707700	3000
	WP M800	6÷8	Cu-Sn	0,8	1107710	20	1707710	1600
	WP M800	10÷16	Cu-Sn	0,8	1107720	20	1707720	1400

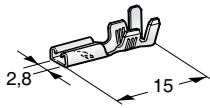
# POWER 950



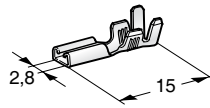
1

IMG	DESCRIPTION	WIRE SECTION mm <sup>2</sup>	MATERIAL	MATERIAL THICKNESS mm	P/N BOX	MOQ	P/N REEL	MOQ
1	F950	2,5÷4	Cu-Sn	0,6	1107740	20	1707740	2000
	F950	6÷8	Cu-Sn	0,6	1107741	20	1707741	1600
	F950	10÷16	Cu-Sn	0,6			1707742	1300

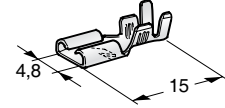
# FASTON



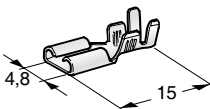
1



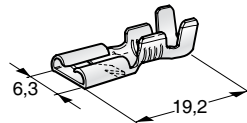
2



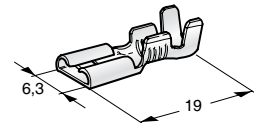
3



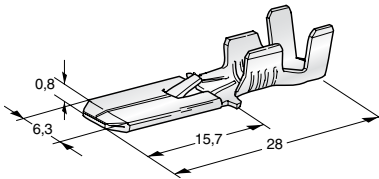
4



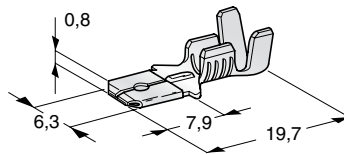
5



6



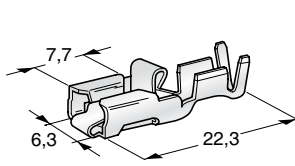
7



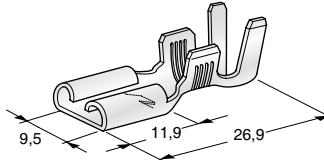
8

IMG	DESCRIPTION	WIRE SECTION mm <sup>2</sup>	MATERIAL THICKNESS mm	MATERIAL	P/N BOX	INNER BOX PCS	MOQ	P/N REEL	MOQ
1	F280 WITH LOCKING NOTCH	0,5÷1	0,25	CuZn-Sn	1101700		200		
2	F280	0,3÷1	0,30	CuZn	1301390	200	4800		
3	F480 WITH LOCKING NOTCH	0,5÷1	0,32	CuZn-Sn	1101710		100		
4	FASTON F480	0,5÷1	0,33	CuZn	1301391		100		
5	F630 WITH LOCKING NOTCH	1÷2,5	0,35	CuZn	1301650	100	2400		
6	F630 WITH LOCKING NOTCH	1÷2,5	0,35	CuZn-Sn	1101650	100	2400	1701650	1500
	F630	0,5÷1,5	0,40	CuZn	1301402		100		
	F630	1÷2,5	0,40	CuZn-Sn				1701655	1500
	F630	1÷2,5	0,40	CuZn	1301400	200	4800		
7	F630	1÷2,5	0,40	CuZn-Sn	1101400		200		
	M630 WITH LOCKING NOTCH	0,75÷2	0,4	CuZn-Sn	1101660		100		
	M630 WITH LOCKING NOTCH	0,75÷2	0,4	CuZn	1301660	100	2400		
	M630 WITH LOCKING NOTCH	0,75÷2	0,4	CuZn	1901660		5000		
8	M630 WITH LOCKING NOTCH	4÷6	0,4	CuZn-Sn	1101662		100		
	M630	0,5÷1	0,4	CuZn	1301411		100		
	M630	1÷2,5	0,4	CuZn-Sn	1101412		100		
	M630	1÷2,5	0,4	CuZn-Sn	1951194		5000		
	M630	1÷2,5	0,4	CuZn	1301412		100		

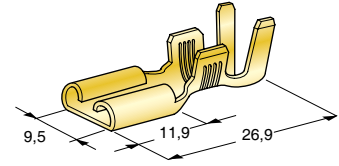
# FASTON



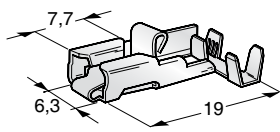
1



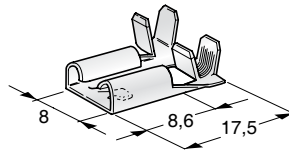
2



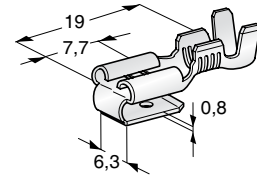
3



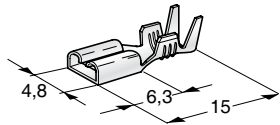
4



5



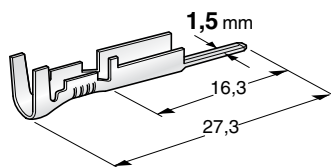
6



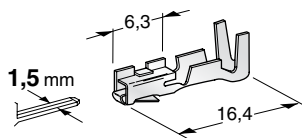
7

IMG	DESCRIPTION	WIRE SECTION mm <sup>2</sup>	MATERIAL THICKNESS mm	MATERIAL	P/N BOX	MOQ	P/N REEL	MOQ
1	ANTISF F630	0,5÷1,5	0,4	CuZn-Sn	1107000	50		
	ANTISF F630	2,5÷4	0,4	CuZn-Sn	1107010	50		
2	F950 WITH LOCKING NOTCH	6÷10	0,4	CuZn-Sn	1101720	100		
3	F950	3÷6	0,4	CuZn	1301420	100		
4	ANTISF F630 FLAG	0,51 ÷ 1,03	0,4	CuZn-Sn	1107020	50		
5	F800 FLAG WITH LOCKING NOTCH	1÷2,5	0,4	CuZn-Sn	1101680	50		
6	630 2WAY	0,8÷2,5	0,4	CuZn-Sn	1301501	100		
7	PITCH 5 F480	0,5÷1,5	0,35	CuZn-Sn			1701940	12000

# FOR SEAL CONNECTORS



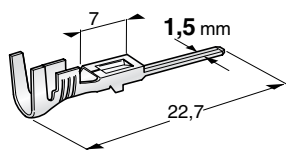
1



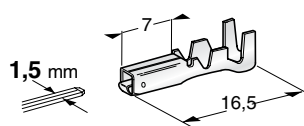
2



3



4



5



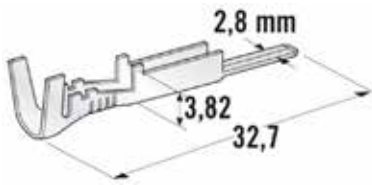
6



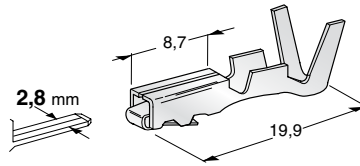
7

IMG	DESCRIPTION	WIRE SECTION mm <sup>2</sup>	MATERIAL THICKNESS mm	MATERIAL	COLOUR	P/N BOX	MOQ
1	METRIPACK M150	0,5÷1	0,4	CuZn-Sn		1105510	100
2	METRIPACK F150	0,5÷1	0,4	CuZn-Sn		1105500	100
3	RUBBER	0,5÷1	-	Silicon	■ Red	4407530	100
4	S-SEAL M150	1÷1,5	0,32	CuZn-Sn		1105550	100
5	S-SEAL F150	1÷1,5	0,3	CuZn-Sn		1105560	100
6	RUBBER	0,5÷1	-	Silicon	■ Yellow	4407740	100
7	CAVITY PLUG		-	Silicon	■ Red	4407750	100

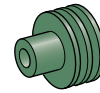
# FOR SEAL CONNECTORS



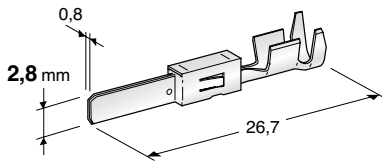
1



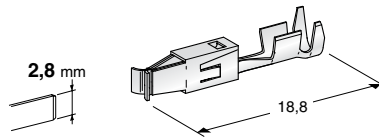
2



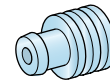
3



4



5



6



7

IMG	DESCRIPTION	WIRE SECTION mm <sup>2</sup>	MATERIAL THICKNESS mm	MATERIAL	COLOUR	P/N BOX	MOQ
1	METRIPACK M280	1÷2,5	0,4	CuSn-Sn		1104500	50
2	METRIPACK F280	1÷2,5	0,4	CuSn-Sn		1104510	100
3	RUBBER	1÷2,5		Silicon	■ Green	4407510	100
4	JPT-WP M280	0,5÷1,5	0,32	CuSn-Sn		1108290	100
	JPT-WP M280	1,5÷2,5	0,32	CuSn-Sn		1108300	100
5	JPT-WP F280	0,5÷1	0,32	CuSn-Sn		1108260	100
	JPT-WP F280	1÷2,5	0,32	CuSn-Sn		1108270	100
6	RUBBER	0,5÷1		Silicon	■ Azure	4510662	100
7	RUBBER	1,5÷2,5		Silicon	□ White	4510658	100

# GASKETS & PLUGS



1



2



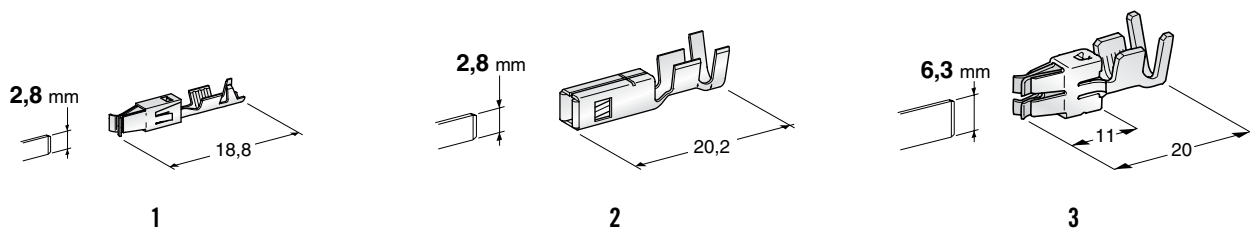
3



4

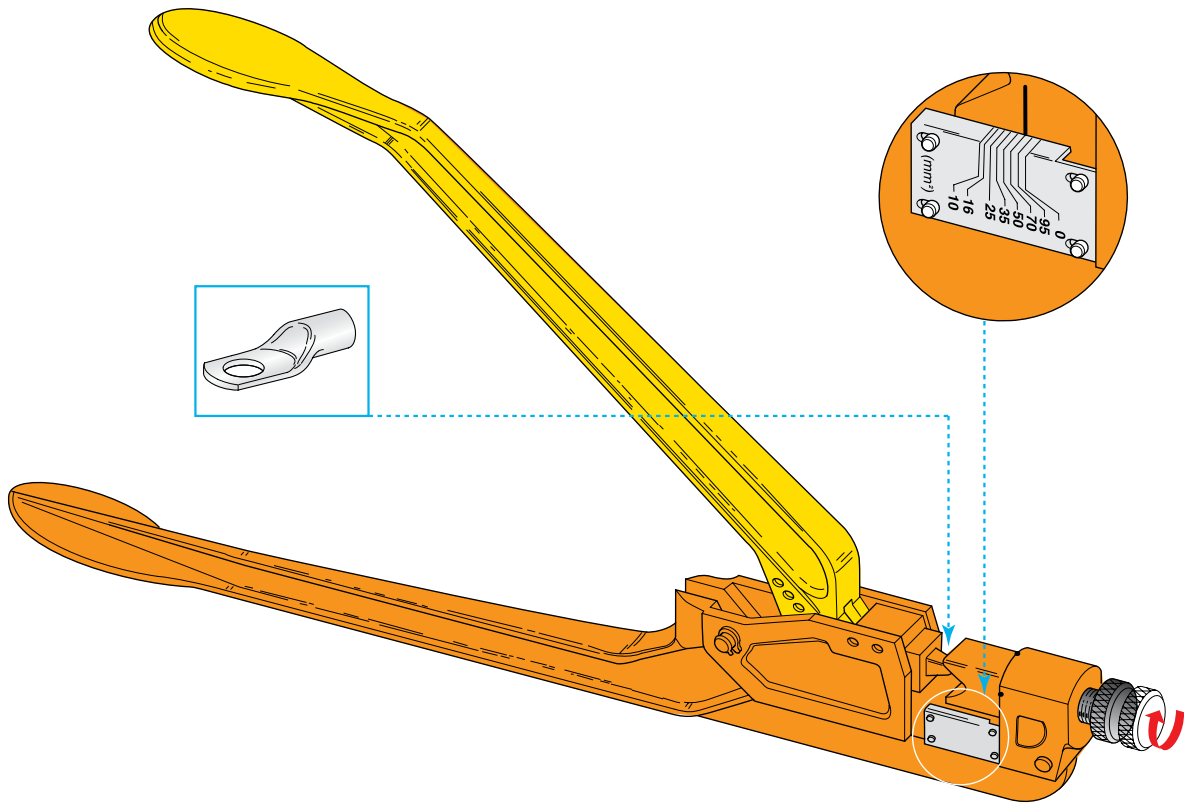
IMG	DESCRIPTION	WIRE SECTION mm <sup>2</sup>	MATERIAL	COLOUR	P/N BOX	MOQ
1	GASKET FOR MPT WP TERMINALS	2,5÷4	Silicon	■ Yellow	4551903	4000
2	SEALING PLUG FOR MPT TERMINALS	-	Silicon	□ White	4423721	2500
3	RUBBER	0,5 - 1,5	Silicon	■ Orange	4507770	1000
4	RUBBER	2 - 3	Silicon	■ Yellow	4507771	1000

## FOR SPECIAL CONNECTORS



IMG	DESCRIPTION	WIRE SECTION mm <sup>2</sup>	MATERIAL THICKNESS mm	MATERIAL	P/N BOX	MOQ
1	JPT F280	0,2÷0,5	0,32	CuSn-Sn	1105615	100
	JPT F280	0,5÷1	0,32	CuSn-Sn	1105620	100
	JPT F280	1,5÷2,5	0,32	CuSn-Sn	1105630	100
2	SICMA2 F280	0,35÷0,75	0,35	CuZn-Sn	1105660	100
	SICMA2 F280	1÷2,5	0,35	CuZn-Sn	1105670	100
3	SPT F630	2,5÷4	0,40	CuZn-Sn	1102050	100

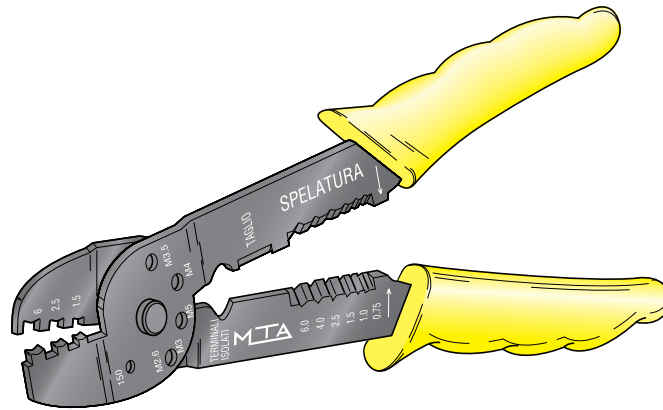
# CRIMPING TOOLS



1

IMG	DESCRIPTION	WIRE SECTION mm <sup>2</sup>	LENGTH mm	WEIGHT g	P/N BOX	MOQ
1	TOOL FOR TUBULAR TERMINALS	10÷95	565÷585	3267	9602490	1

# CRIMPING TOOLS



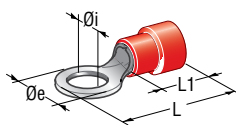
1

IMG	DESCRIPTION	WIRE SECTION mm <sup>2</sup>	P/N BOX	MOQ
1	CRIMPING TOOL	1,5÷6	9602450	1

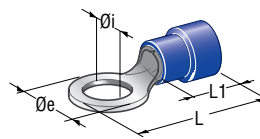
# INSULATED TERMINALS



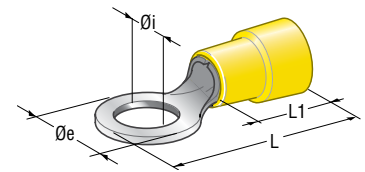
# RING



1



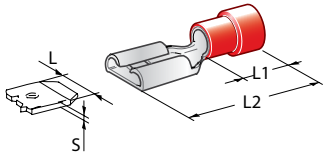
2



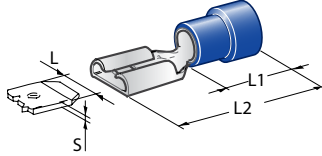
3

IMG	DESCRIPTION	WIRE SECTION mm <sup>2</sup>	$\varnothing i$ mm	$\varnothing e$ mm	L mm	L1 mm	MATERIAL	MATERIAL THICKNESS mm	P/N BOX	MOQ
1	RING	0,25-1÷1	3,2	5,5	18,0	10,5	Cu-Sn PA66	0,75	1853050	100
	RING	0,25-1÷1	3,7	5,5	18,0	10,5	Cu-Sn PA66	0,75	1853060	100
	RING	0,25-1÷1	4,3	6,6	20,1	10,5	Cu-Sn PA66	0,75	1853070	100
	RING	0,25-1÷1	5,3	8,0	21,5	10,5	Cu-Sn PA66	0,75	1853150	100
	RING	0,25-1÷1	6,4	11,6	27,4	10,5	Cu-Sn PA66	0,75	1853200	100
	RING	0,25-1÷1	8,4	11,6	27,4	10,5	Cu-Sn PA66	0,75	1853250	100
2	RING	1÷2,5	4,3	8,5	23,0	11,0	Cu-Sn PA66	0,80	1857100	100
	RING	1÷2,5	5,3	8,5	23,0	11,0	Cu-Sn PA66	0,80	1857150	100
	RING	1÷2,5	6,4	12,0	28,0	11,0	Cu-Sn PA66	0,80	1857200	100
	RING	1÷2,5	8,4	12,0	28,0	11,0	Cu-Sn PA66	0,80	1857250	100
3	RING	2,5÷6	4,3	7,2	23,5	14,0	Cu-Sn PA66	1	1863100	50
	RING	2,5÷6	5,3	9,5	27,0	14,0	Cu-Sn PA66	1	1863150	50
	RING	2,5÷6	6,4	12,0	30,5	14,0	Cu-Sn PA66	1	1863200	50
	RING	2,5÷6	8,4	15,0	35,2	14,0	Cu-Sn PA66	1	1863250	50
	RING	2,5÷6	10,4	15,0	35,2	14,0	Cu-Sn PA66	1	1863300	50

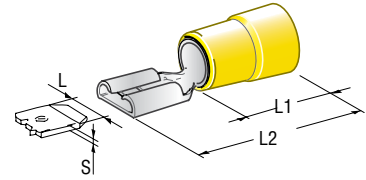
# PUSH ON



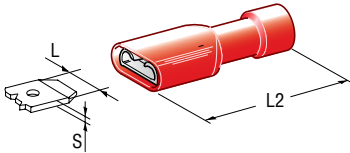
1



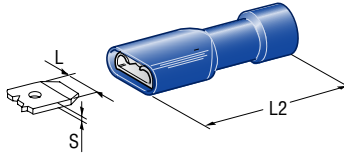
2



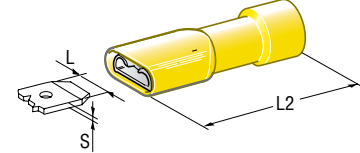
3



4



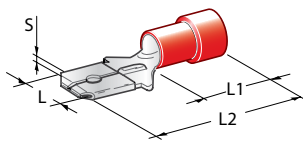
5



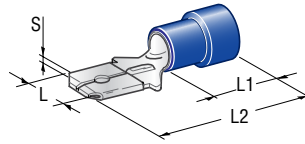
6

IMG	DESCRIPTION	WIRE SECTION mm <sup>2</sup>	S mm	L mm	L1 mm	L2 mm	MATERIAL	MATERIAL THICKNESS mm	P/N BOX	MOQ
1	PUSH ON	0,25÷1	0,8	2,8	10,0	18,5	CuZn-Sn PVC	0,30	1850400	100
	PUSH ON	0,25÷1	0,8	4,7	10,0	19	CuZn-Sn PVC	0,40	1850300	100
	PUSH ON	0,25÷1	0,8	6,3	12,0	21	CuZn-Sn PVC	0,40	1851000	100
2	PUSH ON	1÷2,5	0,8	2,8	10,0	19	CuZn-Sn PVC	0,30	1854400	100
	PUSH ON	1÷2,5	0,8	6,3	12,0	21,0	CuZn-Sn PVC	0,40	1855000	100
3	PUSH ON	2,5÷6	0,8	6,3	13,0	22,4	CuZn-Sn PVC	0,40	1861000	50
4	PUSH ON	0,25÷1	0,8	6,3	-	23,5	CuZn-Sn PVC	0,40	1851500	100
5	PUSH ON	1÷2,5	0,8	6,3	-	23,5	CuZn-Sn PVC	0,40	1855500	100
6	PUSH ON	2,5÷6	0,8	6,3	-	24,0	CuZn-Sn PVC	0,40	1860500	50

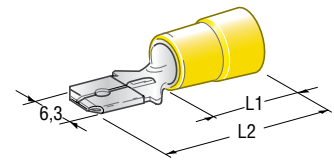
# PUSH ON



1



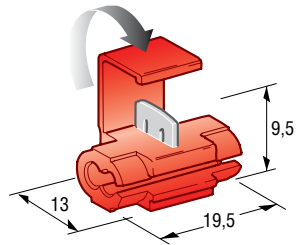
2



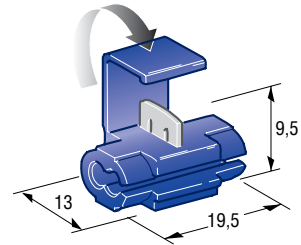
3

IMG	DESCRIPTION	WIRE SECTION mm <sup>2</sup>	S mm	L mm	L1 mm	L2 mm	MATERIAL	MATERIAL THICKNESS mm	P/N BOX	MOQ
1	PUSH ON	0,25÷1	-	2,8	10	17,0	CuZn-Sn PVC	0,80	1850450	100
	PUSH ON	0,25÷1	-	6,3	12	21,0	CuZn-Sn PVC	0,80	1852000	100
2	PUSH ON	1÷2,5	-	4,7	10	19,5	CuZn-Sn PVC	0,50	1854550	100
	PUSH ON	1÷2,5	-	6,3	12	21,0	CuZn-Sn PVC	0,80	1856000	100
3	PUSH ON	2,5÷6	-	6,3	13	22,5	CuZn-Sn PVC	0,80	1862000	100

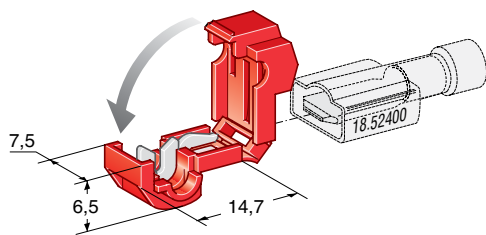
# SELF STRIPPING



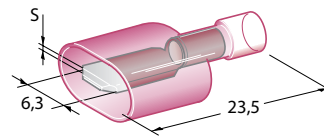
1



2



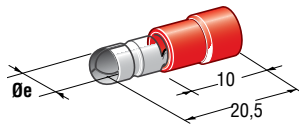
3



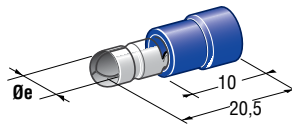
4

IMG	DESCRIPTION	WIRE SECTION mm <sup>2</sup>	MATERIAL	MATERIAL THICKNESS mm	P/N BOX	MOQ	P/N BULK	MOQ
1	SELF-STRIPPING	0,25÷1	CuZn-Sn PP	-	4410090	100	4510090	10000
2	SELF-STRIPPING	1÷2,5	CuZn-Sn PP	-	4410091	100	4510091	10000
3	T-CONNECTIONS	0,25÷1	CuZn-Sn PA66 V094	-	4410096	50	4510096	1000
4	M630	0,25÷1	CuZn-Sn PVC	0,80	1852400	50		

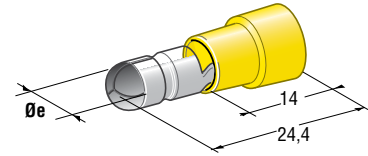
# BULLET



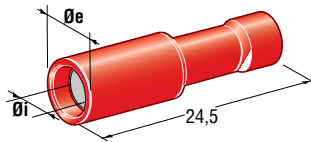
1



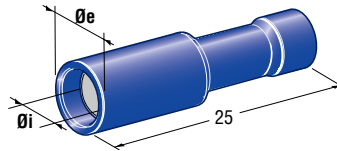
2



3



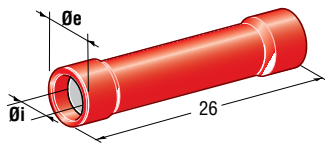
4



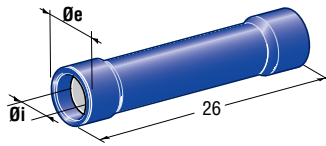
5

IMG	DESCRIPTION	WIRE SECTION mm <sup>2</sup>	Ø i mm	Ø e mm	MATERIAL	MATERIAL THICKNESS mm	P/N BOX	MOQ
1	MALE BULLET	0,25÷1	-	4,0	CuZn-Sn PVC	0,40	1864000	100
2	MALE BULLET	1÷2,5	-	4,0	CuZn-Sn PVC	0,40	1864300	100
3	MALE BULLET	2,5÷6	-	5,0	CuZn-Sn PVC	0,40	1864700	100
4	FEMALE BULLET	0,25÷1	3,86	6,3	CuZn-Sn PVC	0,40	1864100	100
5	FEMALE BULLET	1÷2,5	3,86	6,3	CuZn-Sn PVC	0,40	1864400	100
	FEMALE BULLET	1÷2,5	4,85	7,0	CuZn-Sn PVC	0,40	1864600	50

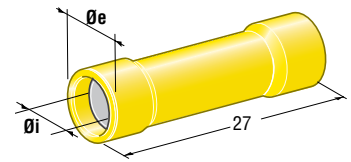
# BUTT



1



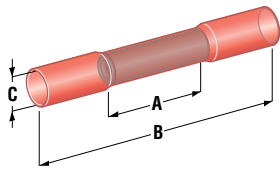
2



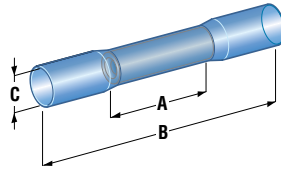
3

IMG	DESCRIPTION	WIRE SECTION mm <sup>2</sup>	$\varnothing i$ mm	$\varnothing e$ mm	MATERIAL	MATERIAL THICKNESS mm	P/N BOX	MOQ
1	BUTT	0,25÷1	1,70	4,0	CuZn-Sn PVC	0,40	1868000	100
2	BUTT	1÷2,5	2,30	4,6	CuZn-Sn PVC	0,40	1868100	100
3	BUTT	2,5÷6	3,40	6,4	CuZn-Sn PVC	0,40	1868200	50

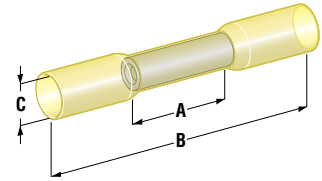
# HEAT SHRINK



1



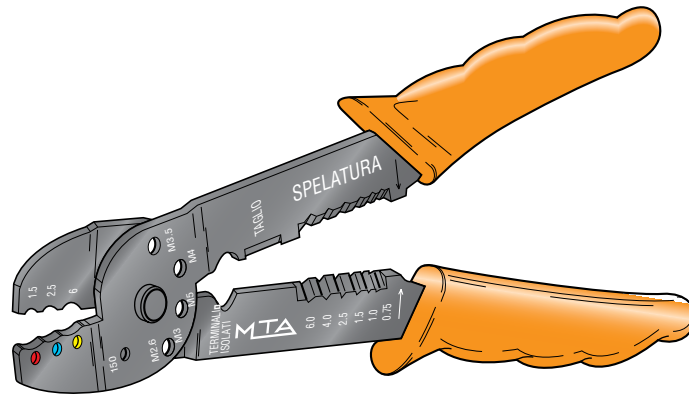
2



3

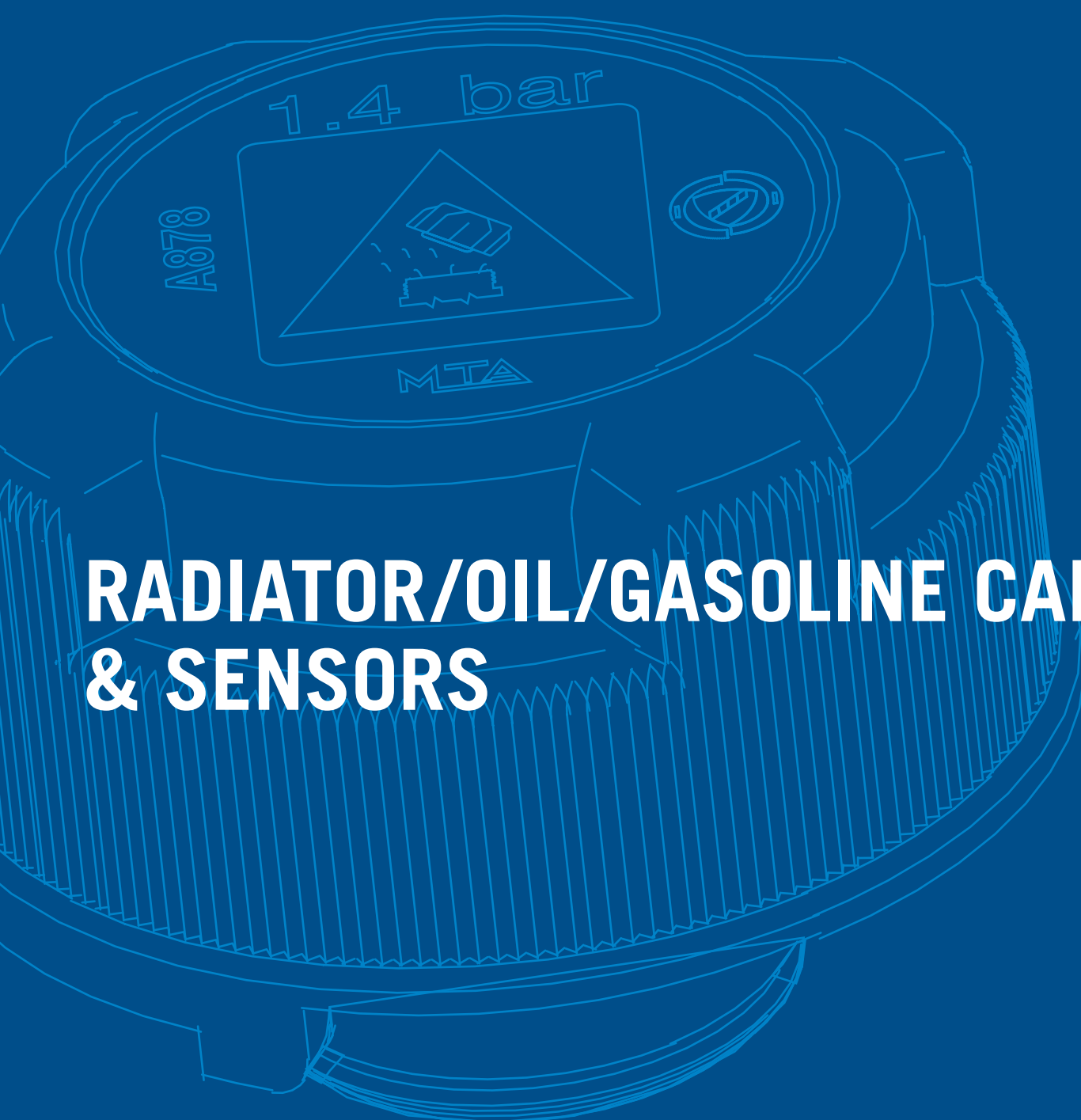
IMG	DESCRIPTION	WIRE SECTION mm <sup>2</sup>	A mm	B mm	C mm	D mm	MATERIAL	MATERIAL THICKNESS mm	P/N BOX	MOQ
1	BUTT	0,75÷1,25	15,00	37,0	4,2	-	Cu-Sn PE	0,8	1880230	100
2	BUTT	1,25÷2,50	15,00	37,0	4,9	-	Cu-Sn PE	0,8	1880240	100
3	BUTT	2,5÷6	15,00	41,0	6,4	-	Cu-Sn PE	0,8	1880250	50

# CRIMPING TOOLS



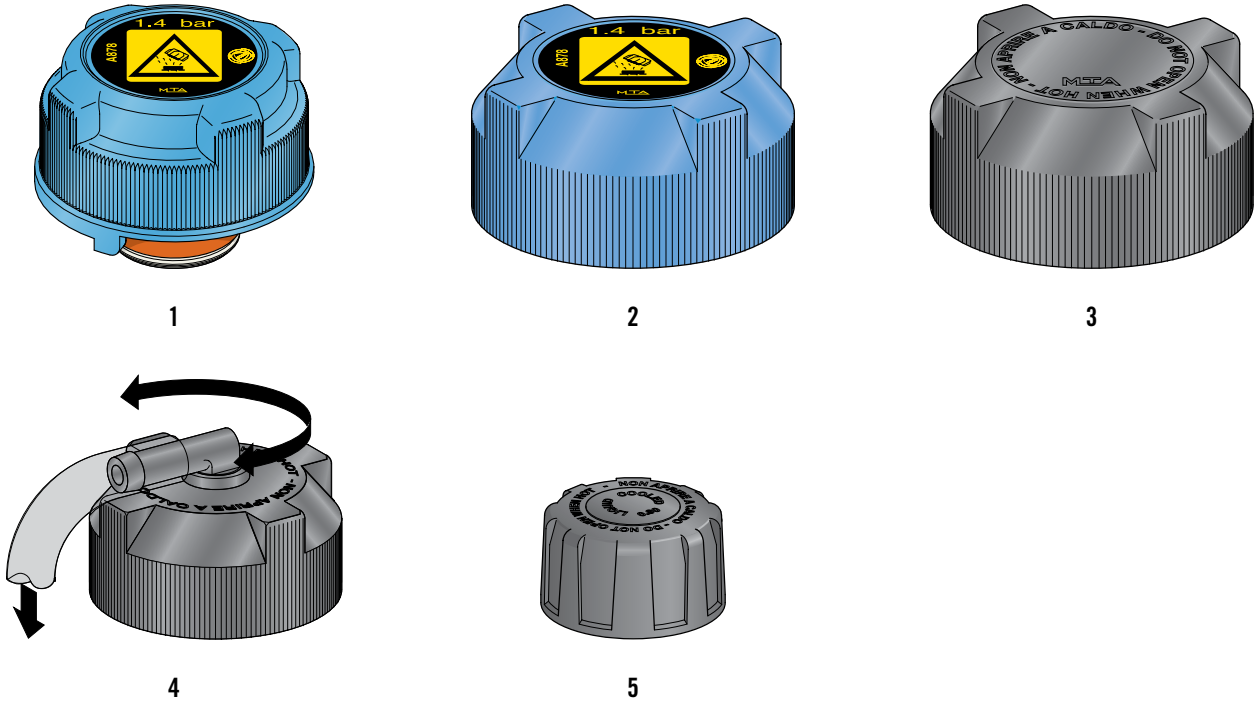
1

IMG	DESCRIPTION	WIRE SECTION mm <sup>2</sup>	P/N BOX	MOQ
1	CRIMPING TOOL	0,25÷6	9602460	1

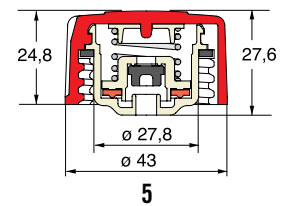
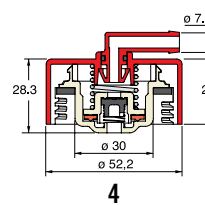
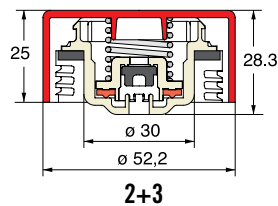
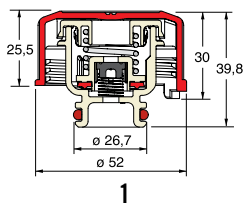


# **RADIATOR/OIL/GASOLINE CAPS & SENSORS**

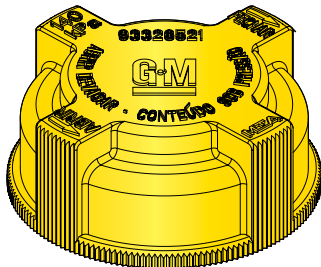
# RADIATOR CAPS



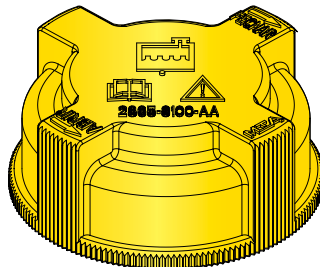
IMG	DESCRIPTION	PRESSION BAR	DEPRESSION BAR	MATERIAL	COLOUR	P/N BOX	MOQ	P/N BULK	MOQ
1	RADIATOR CAP	1	0,04 - 0,10	PP GF30	Blue			5056005	500
	RADIATOR CAP	1,4	0,04 - 0,10	PP GF30	Blue	5014877	1	5056000	500
2	RADIATOR CAP	1	0,04 - 0,10	PP GF30	Black	5014862	1	5050123	200
	RADIATOR CAP	1,4	0,04 - 0,10	PP GF30	Blue	5014873	1	5050103	200
3	RADIATOR CAP	1	0,04 - 0,10	PP GF30	Black	5014861	1	5114861	200
	RADIATOR CAP	1,2	0,04 - 0,10	PP GF30	Black			5050124	200
4	RADIATOR CAP	0,5	0,04 - 0,10	PP GF30	Black	5014900	1	5050090	200
	RADIATOR CAP	1	0,04 - 0,10	PP GF30	Black	5014901	1	5114901	200
5	RADIATOR CAP	1,4	0,04 - 0,10	PP GF30	Blue			5050108	200
	RADIATOR CAP	0,9	0,04 - 0,10	PP GF30	Black			5050097	270
	RADIATOR CAP	1,1	0,04 - 0,10	PP GF30	Black			5050121	270



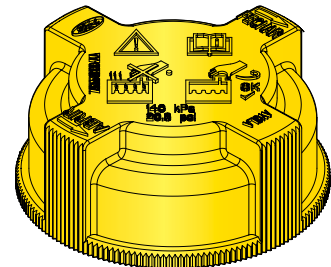
# RADIATOR CAPS



1



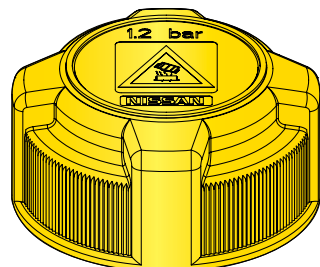
2



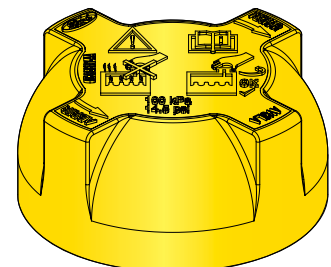
3



4



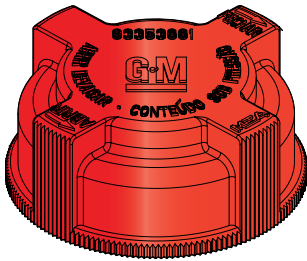
5



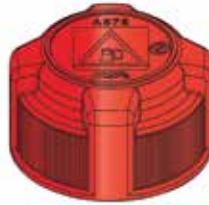
6

IMG	DESCRIPTION	PRESSION BAR	DEPRESSION BAR	MATERIAL	COLOUR	P/N BULK	MOQ
1	RADIATOR CAP GM	1,4	0,15 Max	PP GF30	Yellow	5050140	500
2	RADIATOR CAP (FORD)	1,4	0,04 - 0,10	PP GF30	Yellow	5050143	500
	RADIATOR CAP (FORD)	1,4	0,04 - 0,10	PP GF30	Black	5050156	200
3	RADIATOR CAP FORD	1,4	0,04 - 0,10	PP GF30	Yellow	5050147	500
	RADIATOR CAP FORD	1,4	0,04 - 0,10	PP GF30	Black	5050155	200
4	RADIATOR CAP FIAT	1,0	0,04 - 0,10	PP GF30	Yellow	5050126	500
	RADIATOR CAP FIAT	1,4	0,04 - 0,10	PP GF30	Yellow	5050127	500
5	RADIATOR CAP NISSAN	1,2	0,04 - 0,10	PP GF30	Yellow	5050227	500
6	RADIATOR CAP FORD TRUCK	1,0	0,15 Max	PP GF30	Yellow	5050136	500

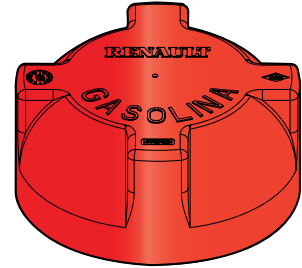
## GASOLINE AND OIL CAPS



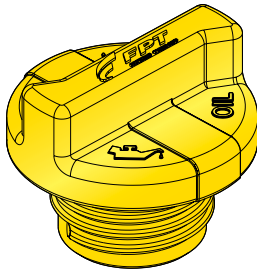
1



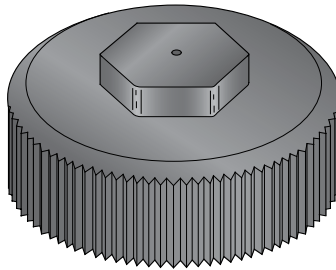
2



3



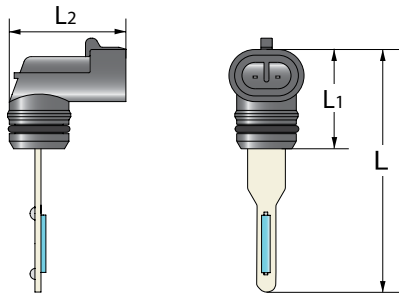
4



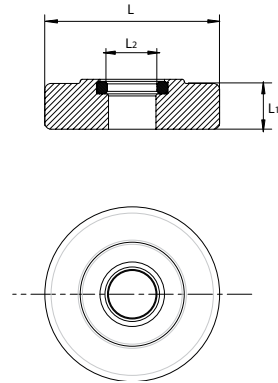
5

IMG	DESCRIPTION	PRESSION BAR	DEPRESSION BAR	MATERIAL	COLOUR	P/N BULK	MOQ
1	GASOLINE CAP GM	0,35	0,08 Max	PP GF30	Red	5050128	500
2	GASOLINE CAP FIAT	0,6	0,04 - 0,10	PP GF30	Red	5051108	500
3	GASOLINE CAP RENAULT	0,6	0,04 - 0,10	PP GF30	Red	5151137	500
4	OIL CAP FIAT/FORD			PP GF30	Yellow	5050133	500
5	DIESEL OIL TANK FOR TRUCKS			PP	Black	5515870	5

# LEVEL SENSORS

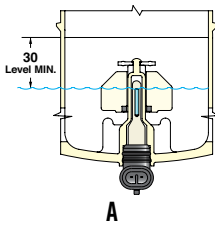


1

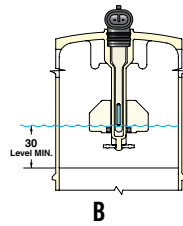


2

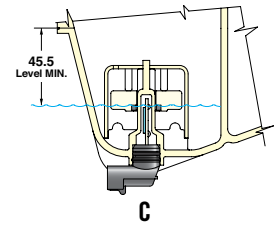
IMG	DESCRIPTION	TYPE	L mm	L1 mm	L2 mm	MATERIAL	P/N	MOQ
1	LEVEL SENSOR	A	64,4	26,4	30,9	PA66	7050088	600
	LEVEL SENSOR	B	84,4	26,4	30,9	PA66	7050096	400
	LEVEL SENSOR	C	53,7	26,4	30,9	PA66	7050092	600
	LEVEL SENSOR	A	64,4	26,4	30,9	PA66	7050100	600
	LEVEL SENSOR	A	64,4	26,4	30,9	PA66	7050101	600
2	FLOAT	A	42	11	11,4	PA Light Blue	7057093	1000
	FLOAT	C	42	11	11,4	PP White	7057092	700



A

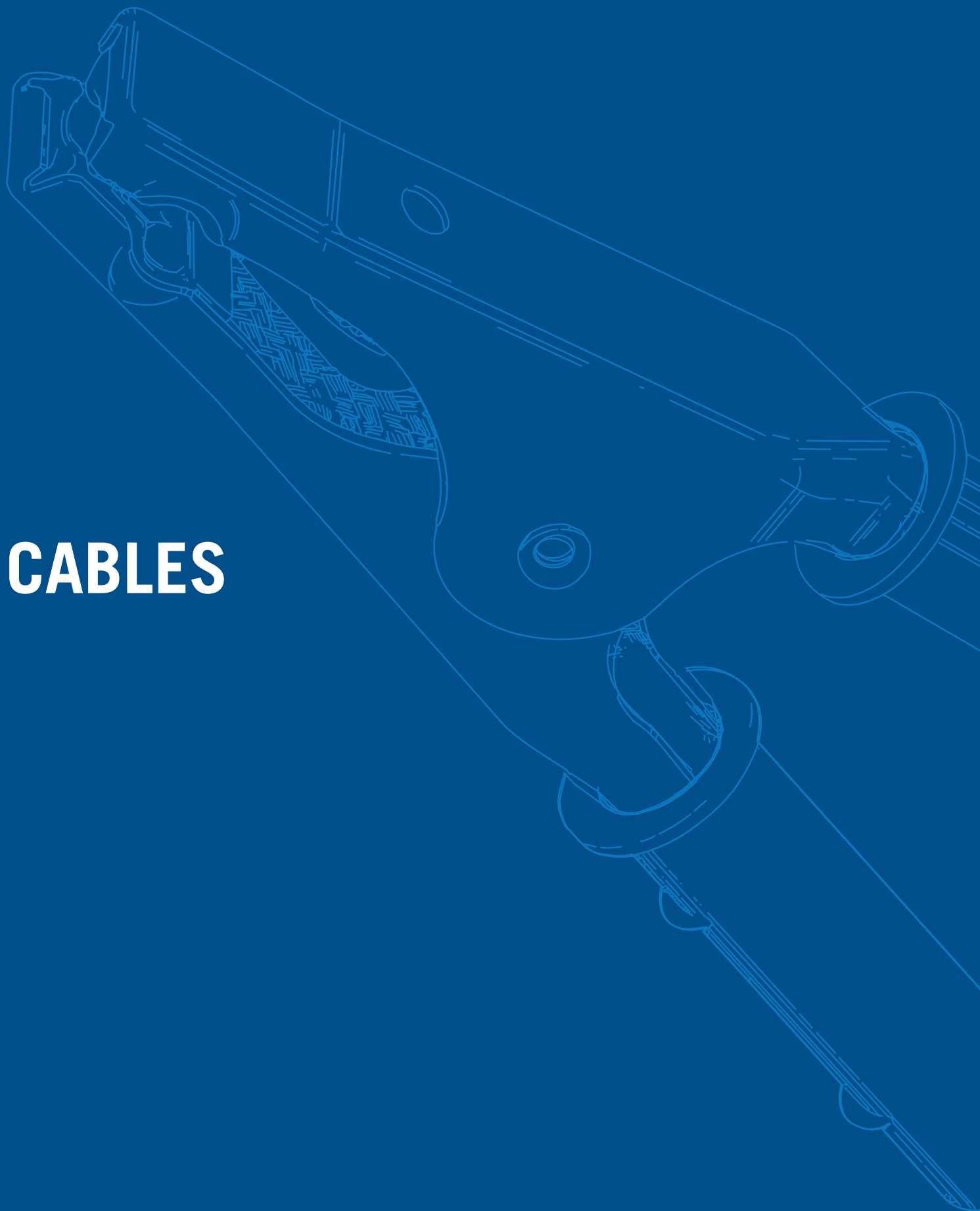


B

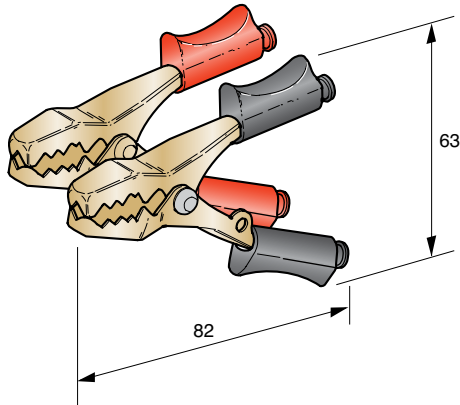


C

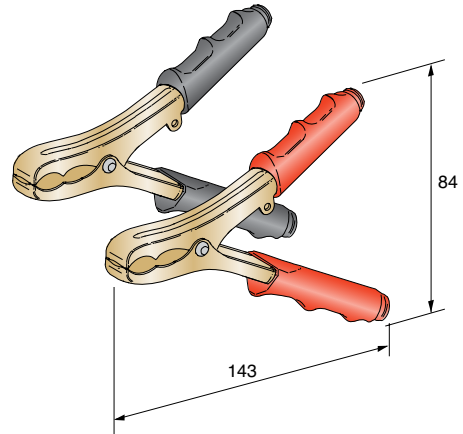
# CABLES



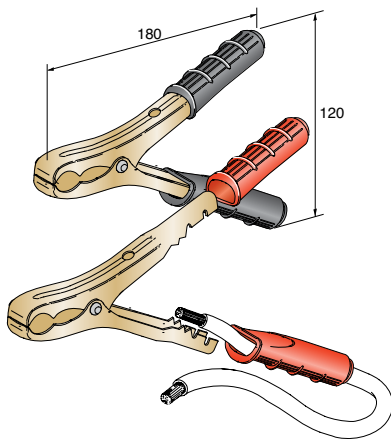
# CHARGING CLIPS



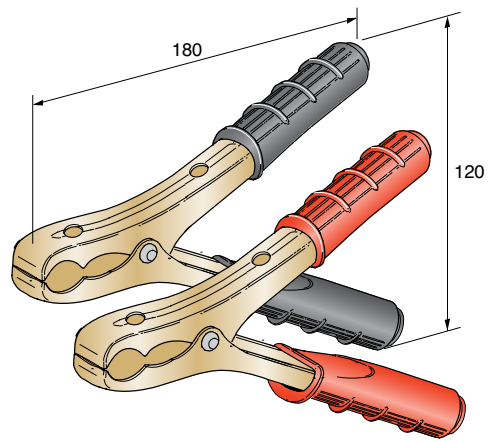
1



2



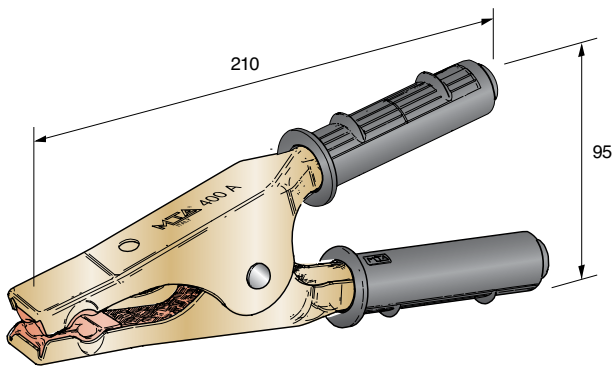
3



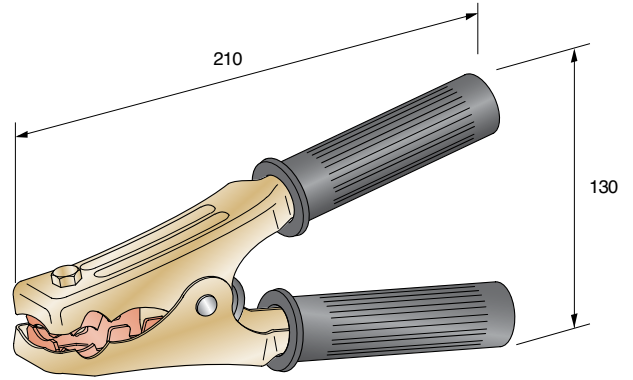
4

IMG	DESCRIPTION	AMP	COLOUR	WIRE SECTION mm2	P/N BULK	MOQ
1	CHARGING CLIP	40 A	■ Red	6÷10	4914221	300
	CHARGING CLIP	40 A	■ Black	6÷10	4914222	300
2	CHARGING CLIP	100 A	■ Red	10÷25	4914256	200
	CHARGING CLIP	100 A	■ Black	10÷25	4914257	200
3	CHARGING CLIP	120 A	■ Red	10÷35	4914258	100
	CHARGING CLIP	120 A	■ Black	10÷35	4914259	100
4	CHARGING CLIP	200 A	■ Red	10÷35	4914262	100
	CHARGING CLIP	200 A	■ Black	10÷35	4914264	100

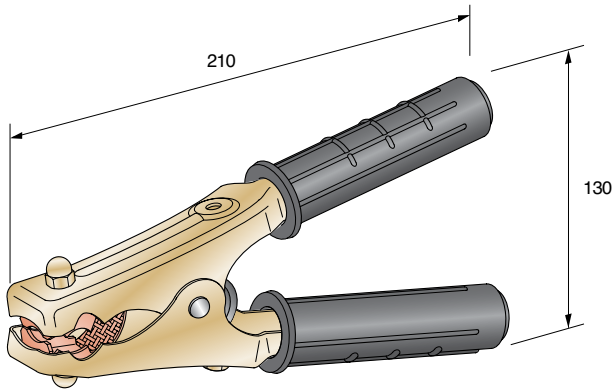
# CHARGING CLIPS



1

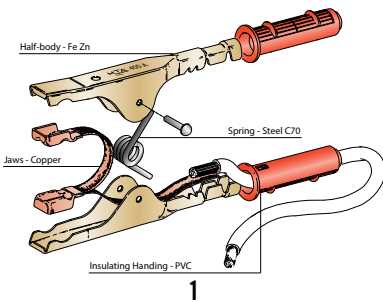


2

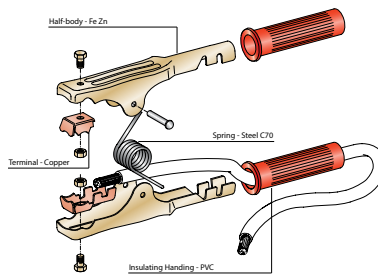


3

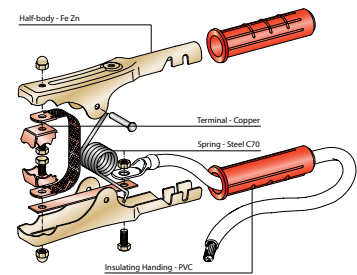
IMG	DESCRIPTION	AMP	COLOUR	WIRE SECTION mm2	P/N BULK	MOQ
1	CHARGING CLIPS	400 A	■ Red	10÷30	4914267	50
	CHARGING CLIPS	400 A	■ Black	10÷30	4914268	50
2	CHARGING CLIPS	500 A	■ Red	35÷50	4914312	25
	CHARGING CLIPS	500 A	■ Black	35÷50	4914313	25
3	CHARGING CLIPS	600 A	■ Red	50	4914322	25
	CHARGING CLIPS	600 A	■ Black	50	4914323	25



1

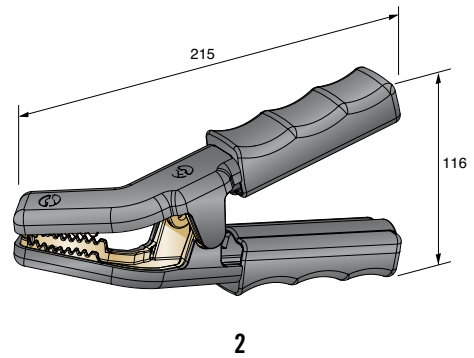
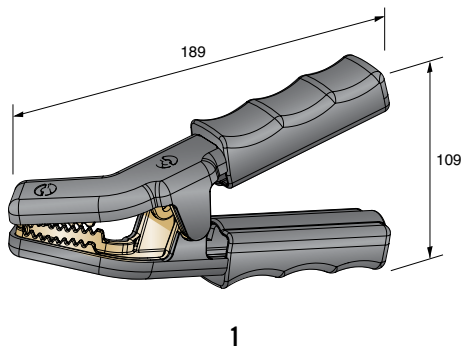


2

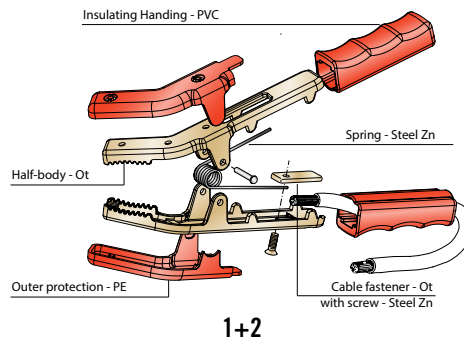


3

# CHARGING CLIPS



IMG	DESCRIPTION	AMP	COLOUR	WIRE SECTION mm2	P/N BOX	MOQ
1	CHARGING CLIPS	850 A	■ Red	25÷70	4914327	17
	CHARGING CLIPS	850 A	■ Black	25÷70	4914326	17
2	CHARGING CLIPS	1000 A	■ Red+Black	35÷70	4814332	4



# BOOSTER CABLES



1



2

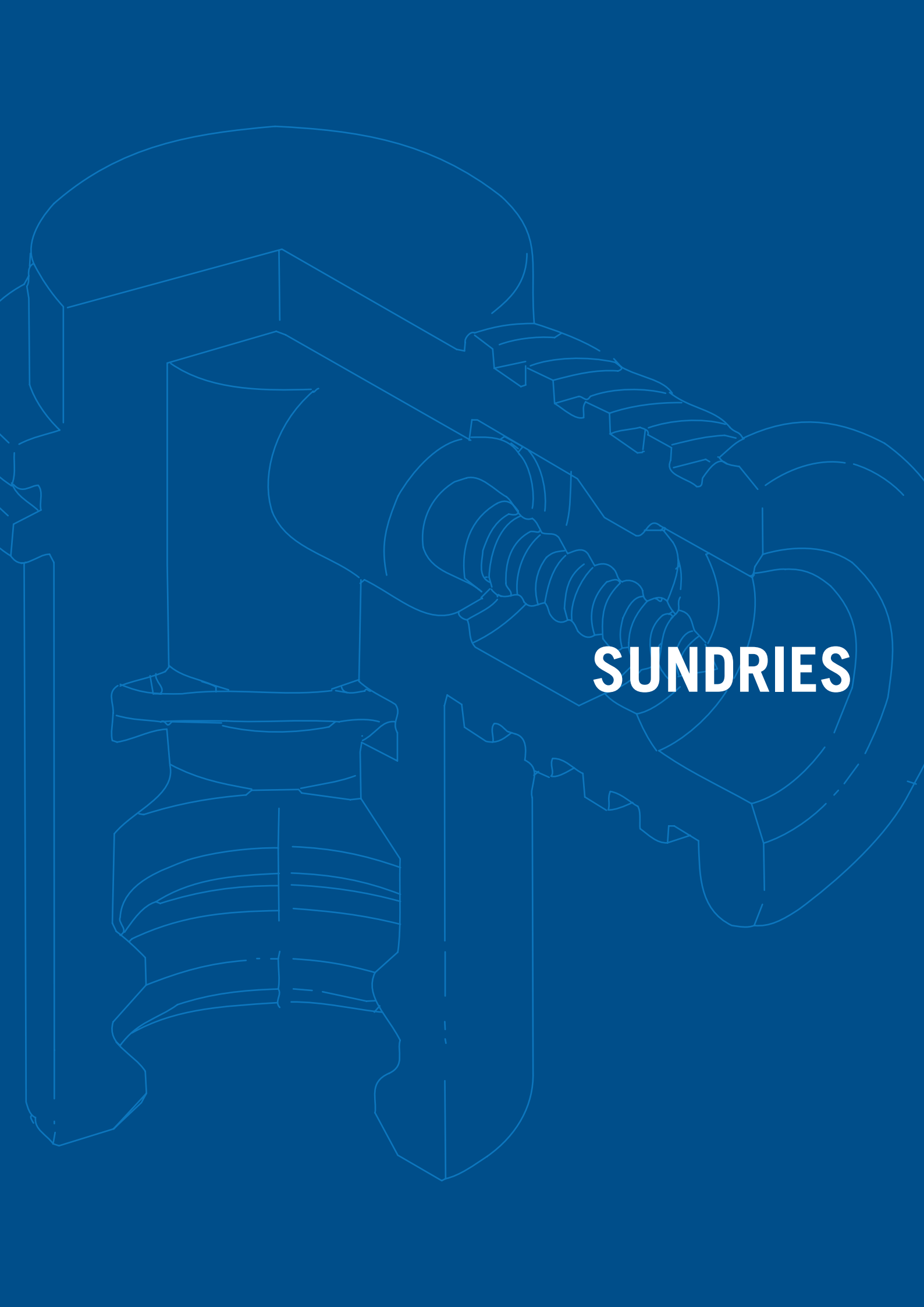


3

IMG	DESCRIPTION	MATERIAL	AMP	L mm	WIRE SECTION mm2	P/N BOX	MOQ
1	BOOSTER CABLES	HI-FLEX	120 A	2500	16	4814271	1
	BOOSTER CABLES	HI-FLEX	120 A	2500	25	4814281	1
	BOOSTER CABLES	HI-FLEX	120 A	3500	25	4814282	1
2	BOOSTER CABLES	HI-FLEX	400 A	3500	25	4814290	1
	BOOSTER CABLES	HI-FLEX	400 A	5000	25	4814291	1
3	BOOSTER CABLES	HI-FLEX	500 A	5000	35	4814295	1
	BOOSTER CABLES	HI-FLEX	500 A	3500	50	4814373	1
	BOOSTER CABLES	HI-FLEX	600 A	5000	50	4814361	1

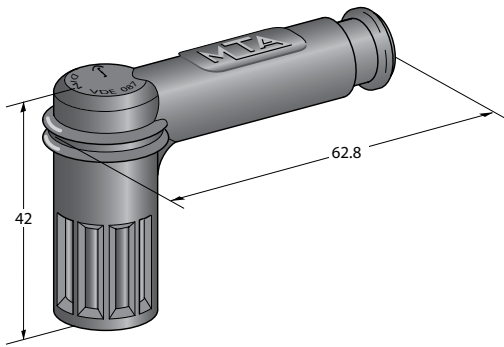
REUSABLE BAG WITH HANDLES

19 LANGUAGES INSTRUCTIONS

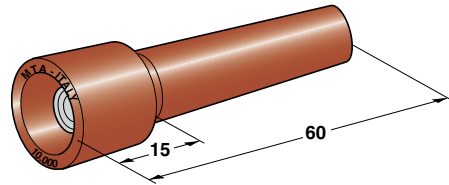


# SUNDRIES

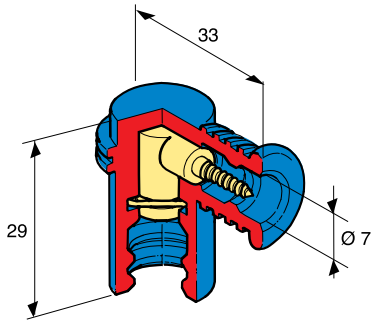
# SPARK PLUGS



1

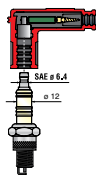


2

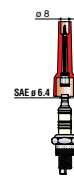


3

IMG.	DESCRIPTION	SPARK PLUG	RESISTANCE Ω	CABLE mm	MATERIAL	P/N BOX	MOQ	P/N BULK	MOQ
1	SPARK PLUG	D	5000	-	EPDM			1900930	450
2	SUPPRESSOR WITH WIRE WOUND RESISTOR		5000	-	PBT GF20	1000618	50		
3	SPARK PLUG			7	EPDM CuZn	1200590	50	1900590	1000

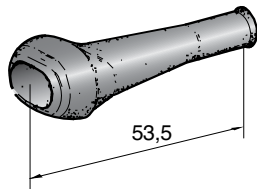


D

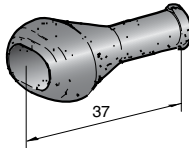


1000618

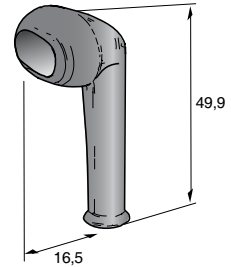
# CAPS



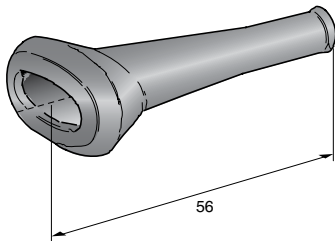
1



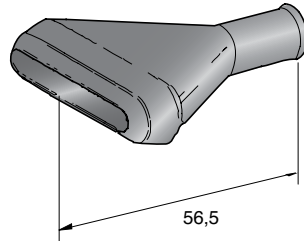
2



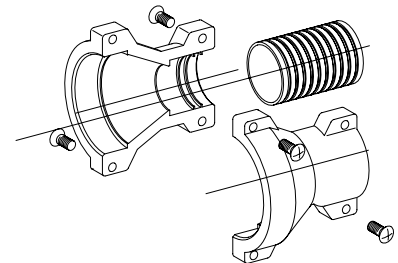
3



4



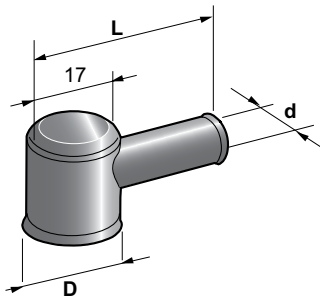
5



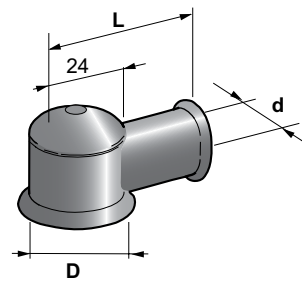
6

IMG	DESCRIPTION	WAY	∅ mm	MATERIAL	COLOUR	P/N BULK	MOQ
1	CAP FOR CONNECTOR JT	2		Rubber	■ Black	4520901	500
2	CAP FOR CONNECTOR JT	2		Rubber	■ Black	4520902	500
3	CAP FOR CONNECTOR JPT	2		Rubber	■ Black	4520911	500
4	CAP FOR CONNECTOR JPT	3		Rubber	■ Black	4520921	500
5	CAP FOR CONNECTOR JT	7		Rubber	■ Black	4520931	500
6	ADAPTOR FOR CONNECTORS		44,6	PA66	■ Black	4551575	500

## CAPS



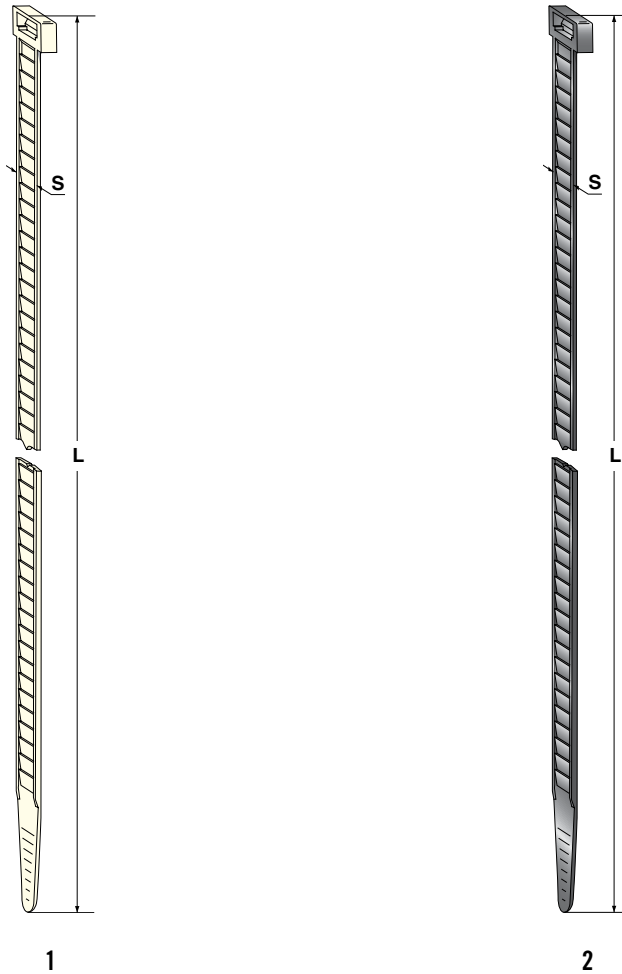
1



2

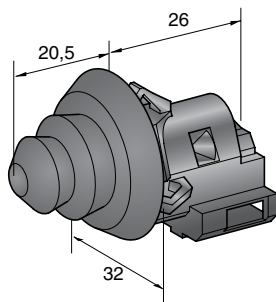
IMG	DESCRIPTION	L	d	D	MATERIAL	COLOUR	P/N BULK	MOQ
1	CAP	37	6	11	PVC	■ Black	4410300	100
	CAP	41	7,5	15	PVC	■ Black	4410310	100
	CAP	61	9	16	PVC	■ Black	4410320	100
2	ALTERNATOR CAP	48	11	21	CR60	■ Black	4510400	500

# SELF EXTINGUISHING CABLE TIES

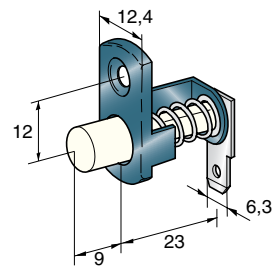


IMG.	DESCRIPTION	MATERIAL	OPERATION TEMP	L mm	S mm	Ø mm	Kg mm	P/N WHITE	MOQ	P/N BLACK	MOQ
1/2	SELF EXTINGUISHING CABLE TIE	PA66 V2 - UL94	-40°C +85°C	98	2,5	20	8			4621410	100
	SELF EXTINGUISHING CABLE TIE	PA66 V2 - UL94	-40°C +85°C	135	2,5	25	8			4621420	100
	SELF EXTINGUISHING CABLE TIE	PA66 V2 - UL94	-40°C +85°C	200	2,6	50	8			4621430	100
	SELF EXTINGUISHING CABLE TIE	PA66 V2 - UL94	-40°C +85°C	140	3,6	30	13			4621440	100
	SELF EXTINGUISHING CABLE TIE	PA66 V2 - UL94	-40°C +85°C	290	3,6	75	13	4621150	100	4621450	100
	SELF EXTINGUISHING CABLE TIE	PA66 V2 - UL94	-40°C +85°C	160	4,5	36	18			4621460	100
	SELF EXTINGUISHING CABLE TIE	PA66 V2 - UL94	-40°C +85°C	178	4,8	40	22			4621470	100
	SELF EXTINGUISHING CABLE TIE	PA66 V2 - UL94	-40°C +85°C	200	4,8	50	22	4621180	100	4621480	100
	SELF EXTINGUISHING CABLE TIE	PA66 V2 - UL94	-40°C +85°C	250	4,8	62	22			4621490	100
	SELF EXTINGUISHING CABLE TIE	PA66 V2 - UL94	-40°C +85°C	290	4,8	75	22	4621200	100	4621500	100
	SELF EXTINGUISHING CABLE TIE	PA66 V2 - UL94	-40°C +85°C	360	4,8	100	22	4621210	100	4621510	100
	SELF EXTINGUISHING CABLE TIE	PA66 V2 - UL94	-40°C +85°C	180	7,8	40	54			4621530	100
	SELF EXTINGUISHING CABLE TIE	PA66 V2 - UL94	-40°C +85°C	240	7,8	50	54			4621540	100
	SELF EXTINGUISHING CABLE TIE	PA66 V2 - UL94	-40°C +85°C	300	7,8	77	54			4621550	100
	SELF EXTINGUISHING CABLE TIE	PA66 V2 - UL94	-40°C +85°C	365	7,8	100	54	4621260	100	4621560	100
	SELF EXTINGUISHING CABLE TIE	PA66 V2 - UL94	-40°C +85°C	450	7,8	125	54			4621570	100
	SELF EXTINGUISHING CABLE TIE	PA66 V2 - UL94	-40°C +85°C	540	7,8	150	54			4621580	100
	SELF EXTINGUISHING CABLE TIE	PA66 V2 - UL94	-40°C +85°C	750	7,8	200	54			4621590	100

# PRESS SWITCHES



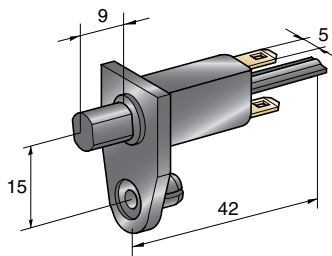
1



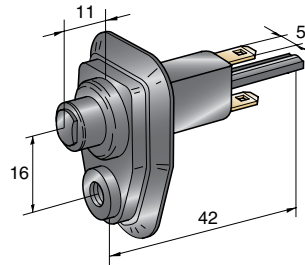
2

IMG	DESCRIPTION	APPLICATION	P/N BOX	MOQ
1	PRESS SWITCH	MULTIFUNCTIONAL - RENAULT	4209655	1
2	PRESS SWITCH	DOORS FIAT RITMO - PANDA - 131 - 132 - 128	4209500	1

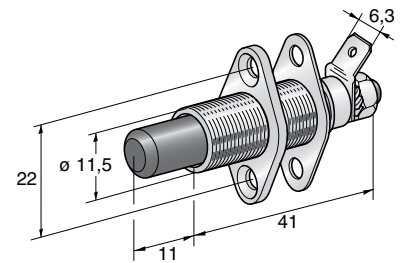
# PRESS SWITCHES



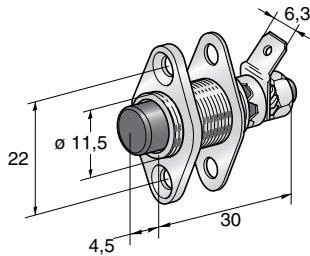
1



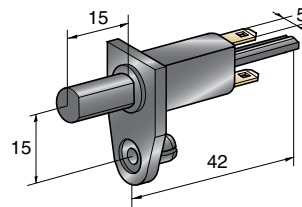
2



3



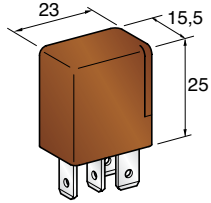
4



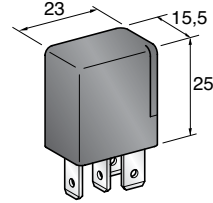
5

IMG	DESCRIPTION	APPLICATION	P/N BOX	MOQ
1	PRESS SWITCH	DOORS FIAT UNO	4209520	1
2	PRESS SWITCH	DOORS FIAT CROMA - LANCIA THEMA	4209530	1
3	PRESS SWITCH	AUTOALARM, DOORS, TAILGATES	4209570	1
4	PRESS SWITCH	AUTOALARM, DOORS, TAILGATES	4209580	1
5	PRESS SWITCH	BOOT ALFA 164	4209590	1

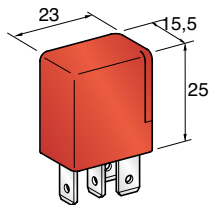
# RELAYS



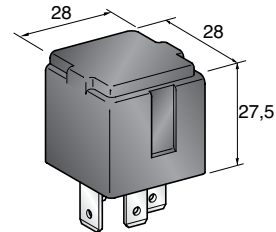
1



2

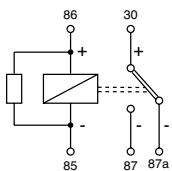


3

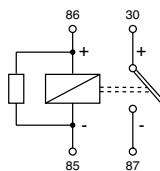


4

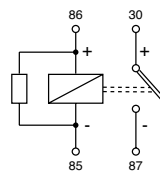
IMG	DESCRIPTION	COLOUR	RATED CURRENT WITH 80° C	RATED VOLTAGE	WORKING TEMPERATURE T.min/T.max	P/N BOX	MOQ
1	MICRO RELAY	Brown	10A (NC) - 20A (NO)	12 V	-40°C/+125°C	0603000	1
2	MICRO RELAY	Black	20A (NO)	12 V	-40°C/+125°C	0603010	1
3	MICRO RELAY	Red	30A (NO)	12 V	-40°C/+125°C	0603020	1
4	MAXI RELAY	Black	50A (NO)	12 V	-40°C/+125°C	0603050	1



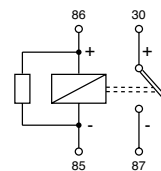
1



2

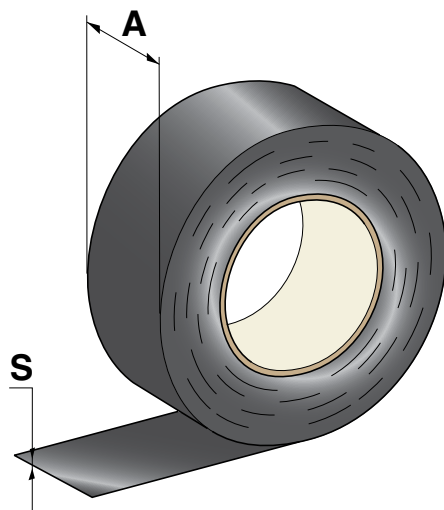


3



4

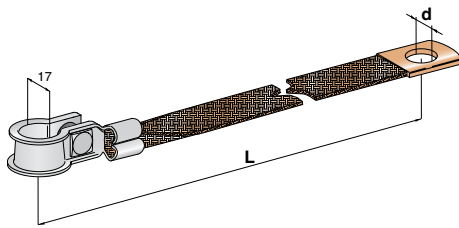
# SELF EXTINGUISHING INSULATING TAPE



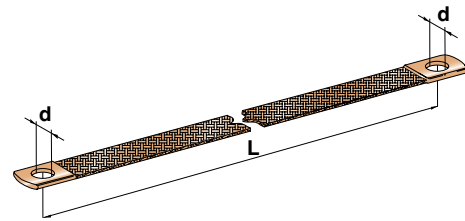
1

IMG	DESCRIPTION	MATERIAL	COLOUR	A mm	L mm	S mm	P/N BOX	MOQ
1	SELF-EXTINGUISHING INSULATING TAPE	PVC - V0	■ Black	15	10000	0,15	4640100	10
	SELF-EXTINGUISHING INSULATING TAPE	PVC - V0	■ Black	15	25000	0,15	4640200	10
	SELF-EXTINGUISHING INSULATING TAPE	PVC - V0	■ Black	19	25000	0,15	4640300	10
	SELF-EXTINGUISHING INSULATING CLOTH TAPE	RAYON	■ Black	19	25000	0,28	0100302	96

# GROUND CONNECTIONS

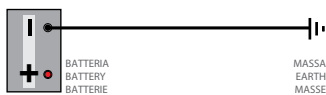


1

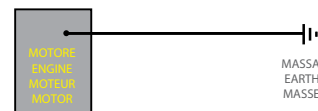


2

IMG	DESCRIPTION	WIRE SECTION mm2	d mm	L mm	P/N BOX	MOQ
1	EARTH CONNECTION	25	12,5	400	2508682	1
2	EARTH CONNECTION	10	8,4	280	2508652	1
	EARTH CONNECTION	15	10,4	330	2508660	1
	EARTH CONNECTION	15	10,4	450	2508661	1
	EARTH CONNECTION	15	10,4	280	2508662	1
	EARTH CONNECTION	15	10,4	210	2508663	1
	EARTH CONNECTION	25	12,5	320	2508670	1
	EARTH CONNECTION	25	12,5	400	2508672	1



1



2



# breneco

[www.breneco.com](http://www.breneco.com)

